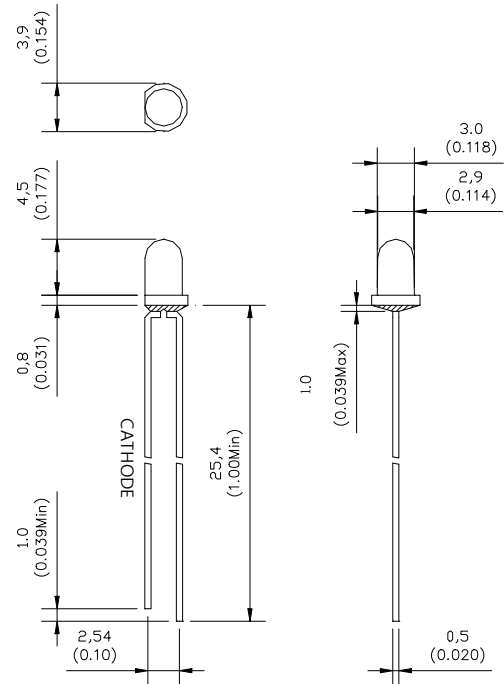


GNL-3014xx (ø3mm ROUND TYPE) Ultra-Brightness

ABSOLUTE MAXIMUM RATING:(Ta=25°C)

Parameter			Unit
DC Forward Current	30		mA
Reverse Voltage	5		V
Reverse Current (Vr=5V)	10		μA
Peak Forward Current, tw=1 msec Duty, =1/20	150		mA
Operation Temperature	-40	+80	°C
Storage Temperature	-40	+100	°C
Solder Dip (5 seconds, 1.6mm from body) Temperature	300	±5	°C



Part Number	EMITTED COLOR		Lens Color	Peak Wavelength (nm)	Vf (v) Typ.	IV (If=20mA) mcd		View Angle 2 θ 1/2
						Min.	Typ.	
GNL-3014SRD	GaAlAs	Super Red	Red Diffused	660	1.9	70	100	60°
GNL-3014SRT	GaAlAs	Super Red	Red Transparent	660	1.9	150	200	25°
GNL-3014SRC	GaAlAs	Super Red	Water Clear	660	1.9	150	200	25°
GNL-3014LRC	GaAlAs	Super Red	Water Clear	660	1.9	200	300	25°
GNL-3014URC	GaAlAs	Super Red	Water Clear	660	1.9	500	600	25°
GNL-3014UEC	AlGaInP	Super Orange	Water Clear	625	2.0	1000	1500	25°
GNL-3014HRC	AlGaInP	Super Orange	Water Clear	640	2.0	500	800	25°
GNL-3014HRT	AlGaInP	Super Orange	Red Transparent	640	2.0	500	800	25°
GNL-3014HRD	AlGaInP	Super Orange	Red Diffused	640	2.0	150	300	60°
GNL-3014UGC	AlGaInP	Yellow Green	Water Clear	572	2.0	350	500	25°
GNL-3014GC	GaP	Green	Water Clear	565	2.0	30	40	25°
GNL-3014YC	GaAsP	Yellow	Water Clear	588	2.0	30	40	25°
GNL-3014UYC	AlGaInP	Super Yellow	Water Clear	589	2.0	800	1000	25°
GNL-3014BC	InGaN	Super Blue	Water Clear	470	3.5	1000	1500	25°
GNL-3014UBC	InGaN	Ultra Super Blue	Water Clear	470	3.5	1200	2000	25°
GNL-3014BGC	InGaN	Super Bluish Green	Water Clear	505	3.5	2500	4000	25°



Lighting
LED TECHNOLOGY

G-NOR ELECTRONICS CO., LTD.

GNL-3014PGC	InGaN	Super Pure Green	Water Clear	525	3.5	2500	4000	25°
GNL-3014UWC	InGaN	Ultra Super White	Water Clear	5500K-7000K	3.5	2000	3000	25°
GNL-3014VC	InGaN	Super Violet	Water Clear	400	3.5	150	300	25°
GNL-3014UWC-TL *	InGaN	Ultra Super White	Water Clear	5500K-7000K	3.5	2000	3000	25°
GNL-3014UWC-Y	InGaN	Ultra Super Warm White	Water Clear	2700K-3500K	3.5	2000	3000	25°
GNL-3014UWC-(14V)	InGaN	Ultra Super White	Water Clear	5500K-7000K	14.0	2000	3000	25°

*TL – Traffic Light (так называемая светофорная серия (для светофоров), уличного исполнения линза устойчивая к ультрафиолету).