

Product Specification

Number: L-KLS6-MOF-3W-0R75-JB

Name: MOF METAL OXIDE FILM RESISTORS

Specification: _____

Customer: D02

Date: 2019-10-30

Customer Signature:

--



NINGBO KLS ELECTRONIC CO; LTD

Tel : 0086-574-86828566

Fax : 0086-574-86824882

ADD : NO. 8-1, RONGXIA RD. XIAPU SHANQIAN
INDUSTRIAL ZONE BEILUN NINGBO ZHEJIANG.

Compile	Check	Review	Approval
Jenny	Jack.C		

● 品名 (PART NUMBER)

依据其种类, 分别标明型号、额定功耗、精度、标称阻值和形状。
 ACCORDING TO THE TYPES OF RESISTORS, THE POWER RATED, RESISTANCE TOLERANCE, RESISTANCE VALUE, SHAPES.

型号 TYPE	额定功耗 RATED POWER	标称阻值 RESISTANCE	精度 TOLERANCE	包装形式 PACKING FORM
MOF/RV			±5%	编带

使用环境温度: -55℃~+125℃

Operating ambient temperature -55℃~+125℃

● FEATURES

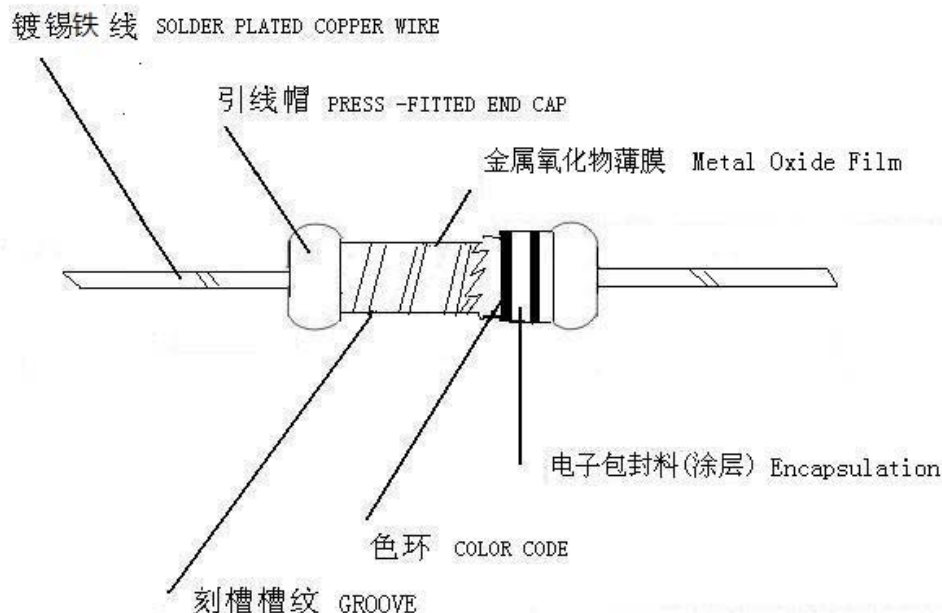
- ◎ Super heat dissipation, small linear temperature coefficient.
- ◎ Instant overload capability, low noise without annual shift on resistance value
- ◎ Flameproof, light weight paint Color Of White Noncombustible

● 特性

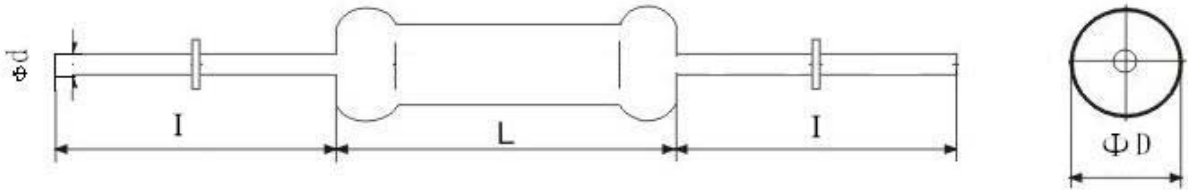
- ◎ 耐热性优, 电阻温度系数 TCR 小, 呈直线变化
- ◎ 短时间超负载, 低噪音, 阻值精度无变化
- ◎ 不燃性, 重量轻, 涂漆颜色为灰白色, 不燃性面漆

● MOF/RV 系列金属氧化膜电阻器电阻器结构图

● MOF/RV METAL OXIDE FILM RESISTORS CONSTRUCTION

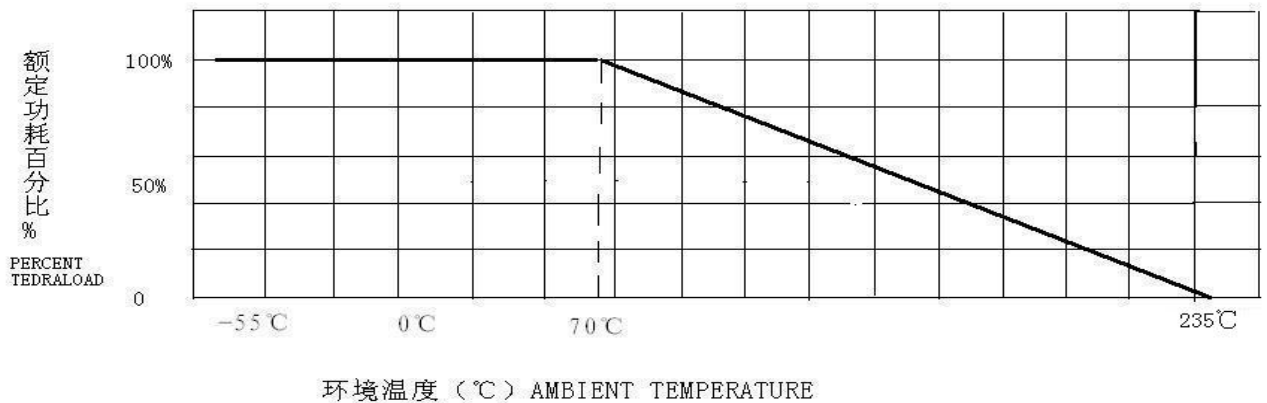


● 外形尺寸 DIMENSIONS



型号 Type	电阻尺寸 mm (Resistor dimension Max)			
	$\Phi D \pm 0.5$	$L \pm 1.5$	$I \pm 2$	$\Phi d \pm 0.05$
MOF-1/4W	2.4	6.5	27	0.40
MOF-1/2W (1WS)	3.5	9.5	25	0.4
MOF-1W (2WS)	4.5	11.5	33	0.5
MOF-2W (3WS)	5.0	16	28	0.6
MOF-3W (5WS)	6.5	18.5	32	0.65
MOF-5W (7WS)	8.5	25	34.5	0.75

● 降功耗曲线 RESISTORS POWER DERATING CURVE



● 主要技术指标 MAIN SPECIFICATION

型号 Type	70℃额定功率 Rated Power at70℃	阻值范围 (Ω) Resistance Range	阻值允许偏差 Resistance tolerance	电阻温度系数 T.C.R (× 10 ⁻⁶ /℃)	元件极限电压 (直流或交流有效值) (V) Limit Voltage DcorAC Rffective value	绝缘电压(直流或交流峰值) (V) Insulation Voltage (DcorAC peakvalue)
MOF-1/4W	1/4W	0.1Ω-560K	±2% (G级) ±5% (J级)	±350	250	350
MOF-1/2W (1WS)	1/2 W (1W)	0.1Ω-560K			250	350
MOF-1W (2WS)	1W (2W)	0.1Ω-560K			350	500
MOF-2W (3WS)	2 W (3W)	0.1Ω-560K			350	500
MOF-3W (5WS)	3 W (5W)	0.1Ω-560K			350	500
MOF-5W	5 W	0.1Ω-560K			500	700

● 包装方法 PACKING:

功率 POWER 型号 数量 TYPE Q' TY		MOF-1/2W (1WS)	MOF-1W (2WS)	MOF-2W (3WS)	MOF-3W (5WS)	MOF-5W
		B (或P) 型 散装 B (P) TYPE	单元包装数 (盒) CELL PACKING QTY	5000 PCS	3000 PCS	2000 PCS
	整箱数 FULL BOX QTY	50000PCS	30000 PCS	20000 PCS	1000 0PCS	5000PCS
T 型(编带) T BYTE	单元包装数 (盒) CELL PACKING QTY	2000 PCS	1000 PCS	1000 PCS	500 PCS	250PCS
	整箱数 FULL BOX QTY	20000 PCS	10000 PCS	10000 PCS	5000 PCS	2500PCS