

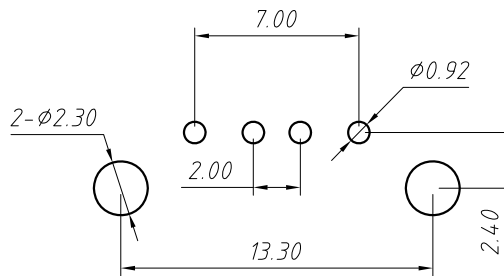
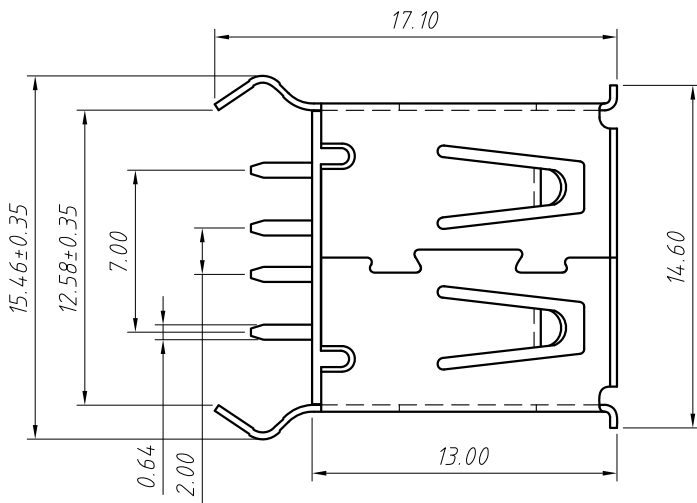
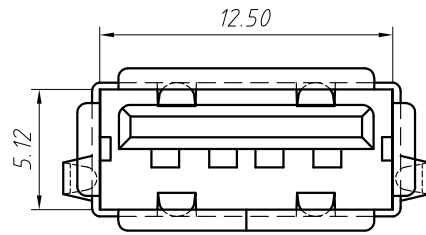
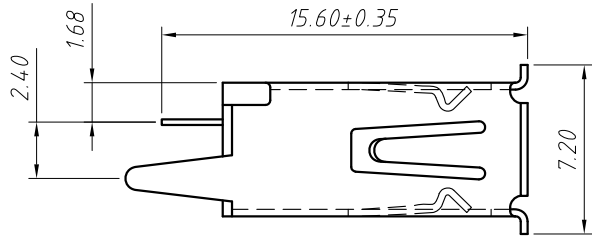
Material
 Housing: High Temperature Thermoplastic, UL 94V-0 PBT, Black/White.
 Contact: Copper Alloy C2680.
 Shell: Copper Alloy C2680/SPCC.

Finish:
 Contact: Plated Gold In Mating Area; Tin On Solder Tails.
 Shell: Nickel Plating.

Electrical:
 Current Rating: 1.5A/Contact Terminal.
 Voltage Rating: 30V DC
 Contact Resistance: 30mΩ Max.
 Dielectric Withstanding Voltage: 500 V AC AT Sea Level.
 Insulation Resistance: 1000MΩ Min.
 Connector Mate and Unmated Force
 Mate Force: 3.75kgf Max.
 Unmated Force: 1.02kgf Min.
 Terminal Retention: 1.2kgf Min.

Order Information
 L-KLS1- 1823 - B
 Color: W=White B=Black
 CONN USB 2.0
 RoHS

GENERAL TOLERANCE	PROJECTION		Description:
X. ±0.50	UNITS	mm	CONN COM TYPE A USB Female Straight H15.0
.X ±0.25	SCALE	1:1	
.XX ±0.10	Draw by:	Jenny	
ANGLE TOLERANCE	Check by:		KLS P/N: L-KLS1-1823-X
X. ±5°	Date	2018-03-01	NingBo KLS ELECTRONIC CO.,L TD.
.X ±3°	SHEET	1 OF 1	
.XX ±2°			



PCB LAYOUT

Material

Housing: Thermoplastic plastics.

Terminals: Copper Alloy. Gold plated in contact area;

Tin plated in termination Nickel plated overall.

Shell: Copper Alloy. Nickel plated overall.

Electrical:

Rating Current: 1.5 Ampere.

Rating Voltage: 30V Max.

Contact Resistance: 30mΩ Mill.

Insulation Resistance: 1000MΩ Min.

Mechanical Characteristics:

Connector Mating force: 35N Max (3.57Kgf)

Connector Unmating force: 10N Min (1.02Kgf)

Durability: 1500 Cycles.

Environment Characteristics:

Operating temperature: -0 °C to +50 °C

Order Information

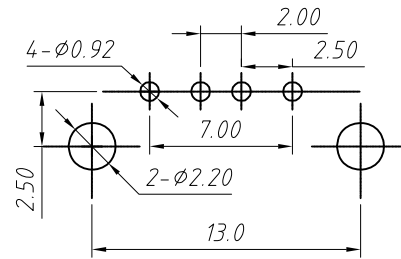
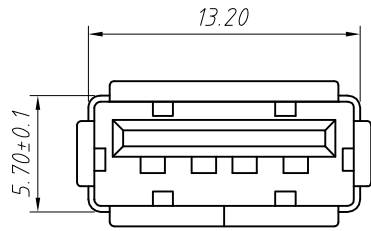
L-KLS1- 1831 - B

Color: W=White B=Black

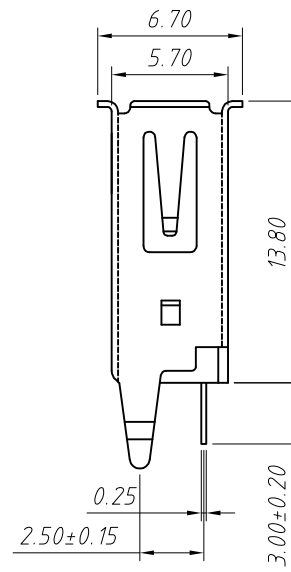
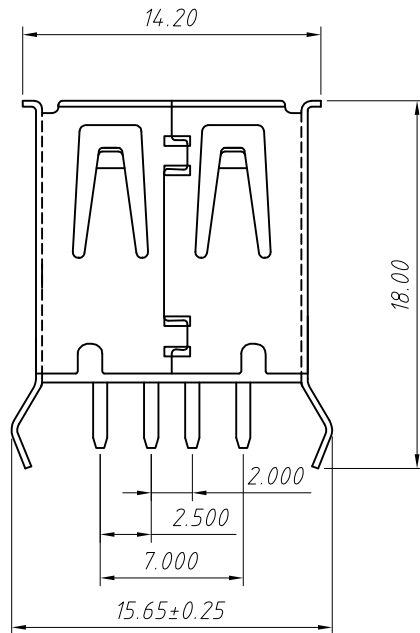
CONN USB 2.0

RoHS

GENERAL TOLERANCE	PROJECTION		Description:
X. ±0.50	UNITS	mm	CONN COM TYPE A USB Female Straight H13.0
.X ±0.25	SCALE	1:1	
.XX ±0.10	Draw by:	Jenny	KLS P/N: L-KLS1-1831-X
ANGLE TOLERANCE	Check by:		NingBo KLS ELECTRONIC CO.,L TD.
X. ±5°	Date	2018-03-01	
.X ±3°	SHEET	1 OF 1	
.XX ±2°			



RECOMMENDED PCB LAYOUT



Material

Housing:Hing Temperature Thermoplastic,UL 94 V-0
PBT/LCP,Black/White.

Contact:Copper Alloy C2680.

Shell:Copper Alloy C2680/SPCC.

Finish:

Contact:Plated Gold In Mating Area; Tin On Solder Talls.
Shell:Nickel Plating.

Electrical:

Current Rating:1.5A/Contact Terminal.

Voltage Rating:30V DC

Contact Resistance:30mΩ Max.

Dielectric Withstanding Voltage:500 V AC AT Sea Level.

Insulation Resistance:1000MΩ Min.

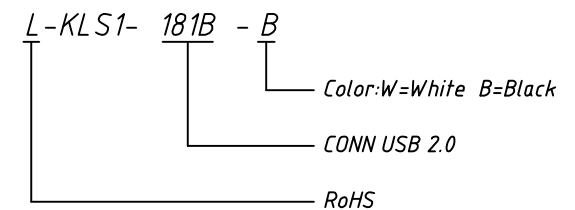
Connector Mate and Unmated Force

Mate Force:3.75kgf Max.

Unmated Force:1.02kgf Min.

Terminal Retenion:1.2kgf Min.

Order Information



GENERAL TOLERANCE	PROJECTION		Description:
X. ±0.50	UNITS	mm	CONN COM TYPE A USB Female Straight H13.7
.X ±0.25	SCALE	1:1	
.XX ±0.10	Draw by:	Jenny	KLS P/N: L-KLS1-181B-X
ANGLE TOLERANCE	Check by:		NingBo KLS ELECTRONIC CO.,L TD.
X. ±5°	Date	2018-03-01	
.X ±3°	SHEET	1 OF 1	
.XX ±2°			