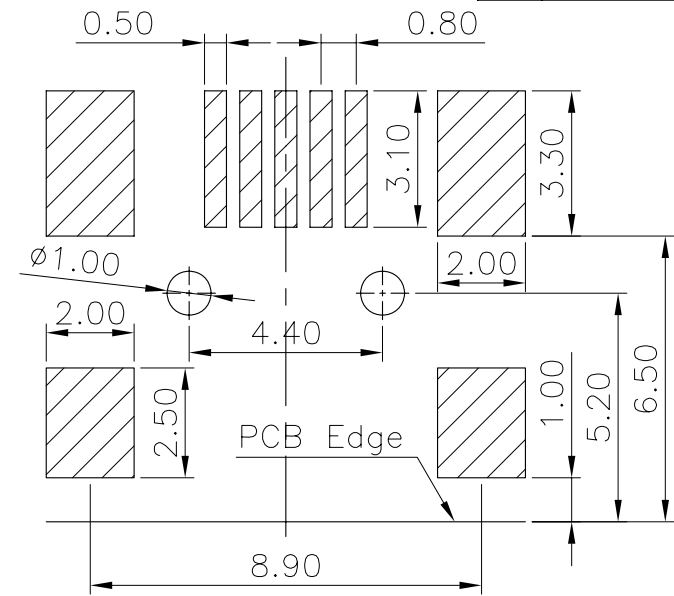
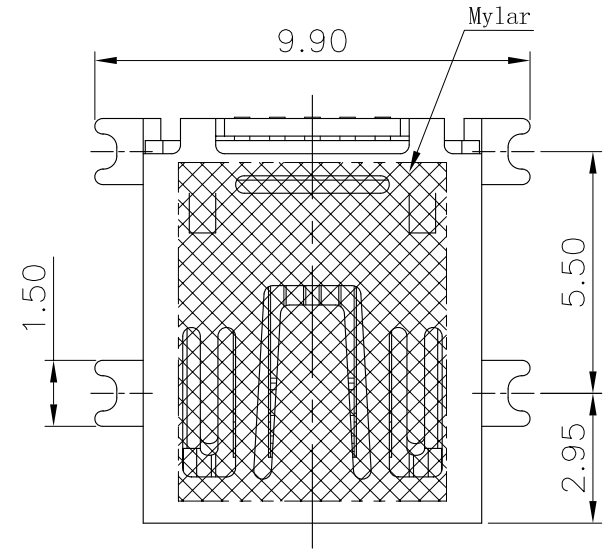


REV.	DESCRIPTION	DRAWN	CHECKED	APPROVED
A	NEW RELEASE	YCH 10/21/08'	~	

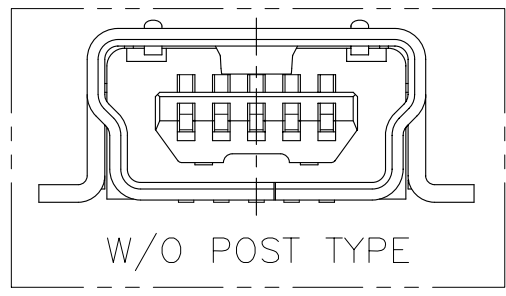
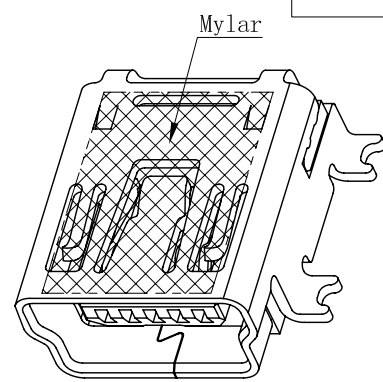
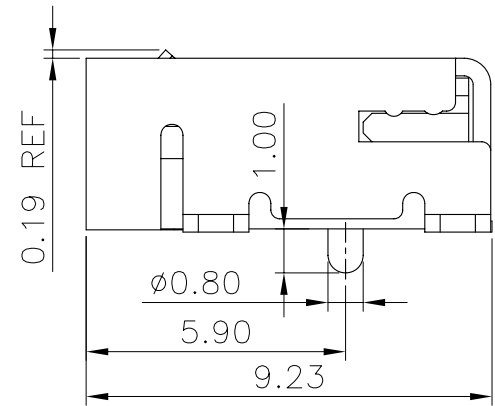
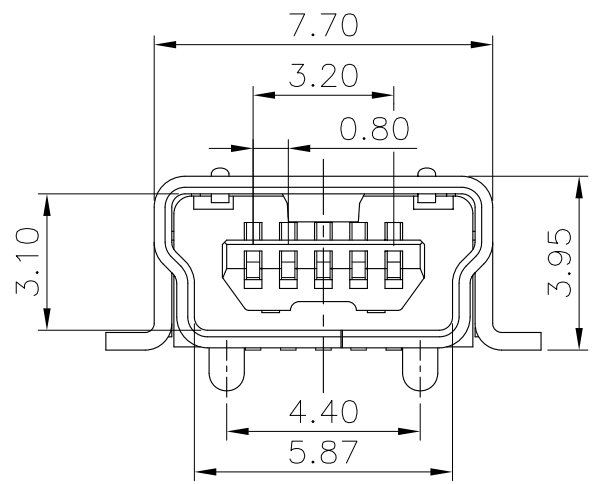


- NOTES:
- SPECIFICATIONS
    - CONTACT RESISTANCE: 50mΩ Max.
    - INSULATOR RESISTANCE: 100MΩ Min.
    - DIELECTRIC STRENGTH: 100VAC FOR 1 Minute.
    - DURABILITY: 5000 CYCLES.
  - PRODUCT NUMBER CODE:
 

DS1104 - X X X X X X

    - POST SUPPORT
      - S: W/ POST
      - X: W/O POST
    - PACKING TYPE
      - R: TAPE ON REEL
      - B: TUBE
    - MYLAR SUPPORT
      - S: W/ MYLAR
      - X: W/O MYLAR
    - CONTACT PLATING
      - 0: SELECTIVE GOLD FLASH
      - C: SELECTIVE 3u" GOLD
    - SHELL PLATING
      - 6: FULL MATT TIN (RECOMMENDED)
      - 8: FULL GOLD
    - COLOR OF HOUSING
      - B: BLACK

RECOMMEND PCB LAYOUT (TOLERANCE = ±0.05)



GENERAL TOLERANCE		ANGLE TOLERANCE	
X.	±0.60	X.	±5°
.X	±0.38	.X	±3°
.XX	±0.25	.XX	±2°

DRAWING TYPE	CUSTOMER		
SCALE	1:1	SHEET	1 OF 1
DRAWING NO.	C-DS1104-XXXXXX		

PROJECTION		TITLE	MINI USB B TYPE 5 pos. RECEPTACLE SMT TYPE	
UNITS	mm	SERIES	DS1104 SERIES	
SHEET SIZE	A4			

晨翔电子有限公司  
**CONNFLY CONNFLY ELECTRONIC CO. LTD**