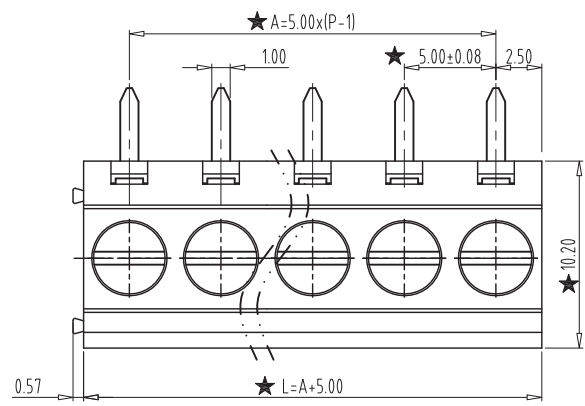
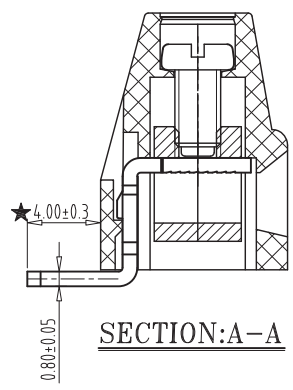
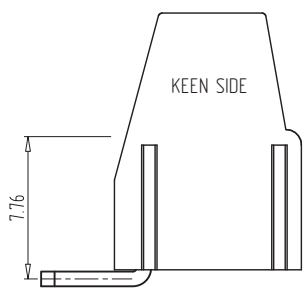


PCB LAYOUT
S=2:1

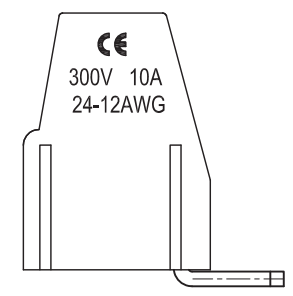
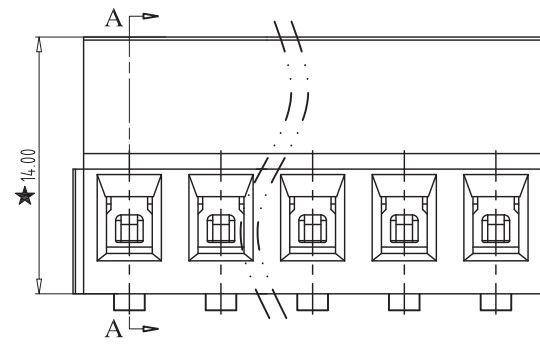


NOTES:

1. Rating:300V 10A;
2. Insulation Withstands Voltage: AC2000V/MIN
3. Insulation Resistance:
500MΩ or more at DC500V
4. Using Temperature Range: -40°C/+105°C
5. Screw Torque Value:0.4N.m
6. Suitable Electric Wire: 12-24AWG



SECTION:A-A



Total Pitch Tolerances in mm										Nominal dimension range in mm										⊥	≡	—	//	
over 0	over 30	over 53	over 70	over 90	over 115	over 150	over 200	over 250	over 320	over 0	over 30	over 53	over 70	over 90	over 115	over 150	over 200	over 250	over 320	0	over 10	0	over 100	over 150
±0.18	±0.20	±0.25	±0.3	±0.35	±0.44	±0.55	±0.70	±0.75	±0.20	±0.25	±0.30	±0.35	±0.44	±0.55	±0.70	±0.80	±0.90	0.2	0.3	0.3	0.2	0.3	0.5	0.5

ITEM	NAME OF PART	NO. OF PART	Q"TY	MATERIAL	NOTE
DWG.	ZX	DATE	2020.08.31	UNITS	mm
CHK.		DATE		SCALE	2.5:1
APP.		DATE			
				NAME	KSE-128R-5.0-XX
				DWGNO.	