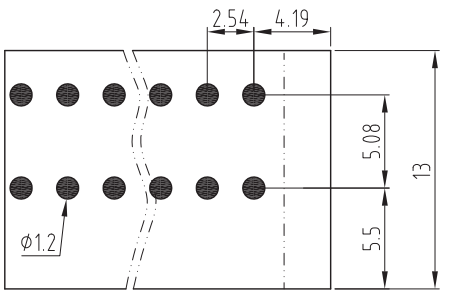
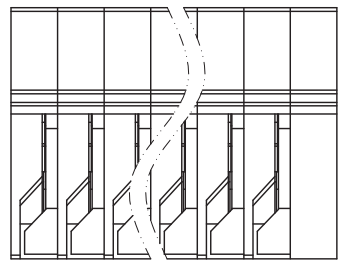


REV	CONTENT	CHK	DATE
V0.0	CONTENT	CXL	14.12.03

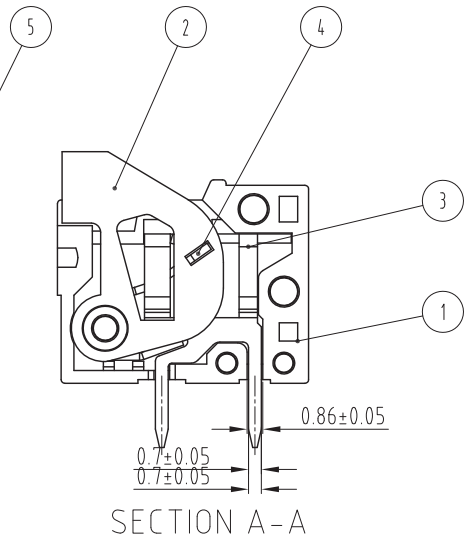
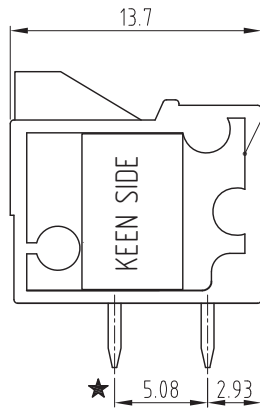
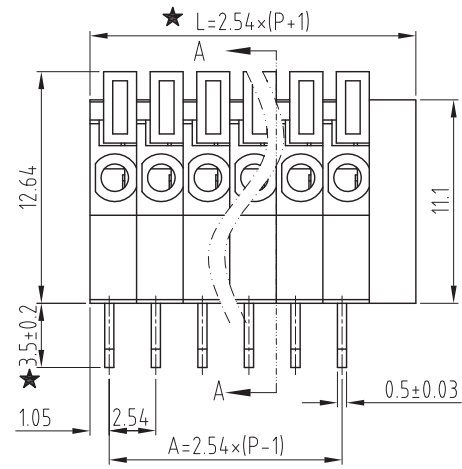


● FOR PIN P.C.B LAYOUT



NOTES:

- 1.Rating:150V 2A,
- 2.Insulation Withstands Voltage: AC1300V/MIN;
- 3.Insulation Resistance: 500M Ω or more at DC500V
- 4.Using Temperature Range: -40°C/+105°C
- 5.Suitable Electric Wire: 20-26 AWG
- 6." ★ "The important dimension.



DIM \ P	2	3	4	5	6	7	8	9	10	11	12	13	14	15
L	7.62	10.16	12.7	15.24	17.78	20.32	22.86	25.4	27.94	30.48	33.02	35.56	38.1	40.64
A	2.54	5.08	7.62	10.16	12.7	15.24	17.78	20.32	22.86	25.4	27.94	30.48	33.02	35.56

DIM \ P	16	17	18	19	20	21	22	23	24	25	26	27	28	29	30
L	43.18	45.72	48.26	50.8	53.34	55.88	58.42	60.96	63.5	66.04	68.58	71.12	73.66	76.2	78.74
A	38.1	40.64	43.18	45.72	48.26	50.8	53.34	55.88	58.42	60.96	63.5	66.04	68.58	71.12	73.66

Total Pitch Tolerances in mm																	Nominal dimension range in mm				⊥	≡	—	//
over 0	over 30	over 53	over 70	over 90	over 115	over 150	over 250	over 350	over 0	over 30	over 53	over 70	over 90	over 115	over 150	over 200	over 250	over 0	over 10	all	over 0	over 100	over 150	
±0.18	±0.20	±0.25	±0.3	±0.35	±0.4	±0.60	±0.70	±0.85	±0.20	±0.25	±0.30	±0.35	±0.44	±0.55	±0.70	±0.80	±0.90	0.2	0.3	0.3	0.2	0.3	0.5	

5				1	PA66(V0)		
4				P	STAINLESS		
3				P	BRASS	Sn Plated	
2				P	POM(V2)		
1				P	PA66(V0)		
ITEM	NAME OF PART		NO. OF PART	Q'TY	MATERIAL		NOTE
DWG.	CXL	DATE	14.12.03	SIZE	A4	UNITS mm	SHEET/OF 1 / 1
CHK.		DATE		SCALE	1:1		
APP.		DATE		NAME	KSE-141R-2.54-XX		
KEEN SIDE ELECTRONICS				DWGNO.			