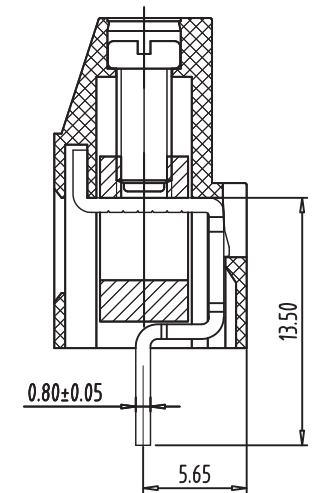


REV	CONTENT	CHK	DATE
V0.0	CONTENT	SK	2014-08-12

- NOTES:
1. Rating:300V 20A;
 2. Insulation Withstands Voltage: AC2000V/MIN;
 3. Insulation Resistance: 500MΩ or more at DC500V
 4. Using Temperature Range: -40°C/+105°C;
 5. Screw Torque Vlaue:0.5N.m;
 6. Suitable Electric Wire: 12-24AWG .
 7. "★" is critical dimension to be controlled.



SECTION:A-A

Total Pitch Tolerances in mm										Nominal dimension range in mm										⊥	≡	—	//		
over 0	over 30	over 53	over 70	over 90	over 115	over 150	over 250	over 350	over 500	over 0	over 30	over 53	over 70	over 90	over 115	over 150	over 200	over 250	over 320	0	over 10	all	over 0	over 100	over 150
±0.18	±0.20	±0.25	±0.3	±0.35	±0.44	±0.60	±0.70	±0.85	±0.20	±0.25	±0.30	±0.35	±0.44	±0.55	±0.70	±0.80	±0.90	0.2	0.3	0.3	0.2	0.3	0.5		

ITEM	NAME OF PART	NO. OF PART	Q'TY	MATERIAL	NOTE
DWG.	SK	DATE	2014-08-12	SIZE	A4 UNITS mm SHEET/OF 1/1
CHK.		DATE		SCALE	2.5:1
APP.		DATE		NAME	KSE-129-5.0
KEEN SIDE ELECTRONICS				DWGNO.	