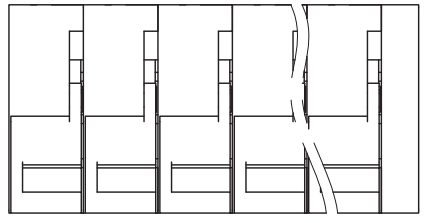
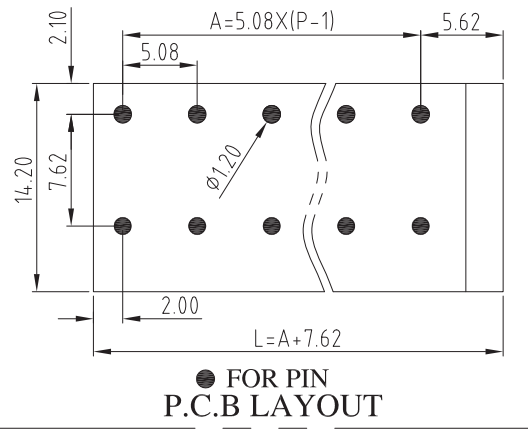
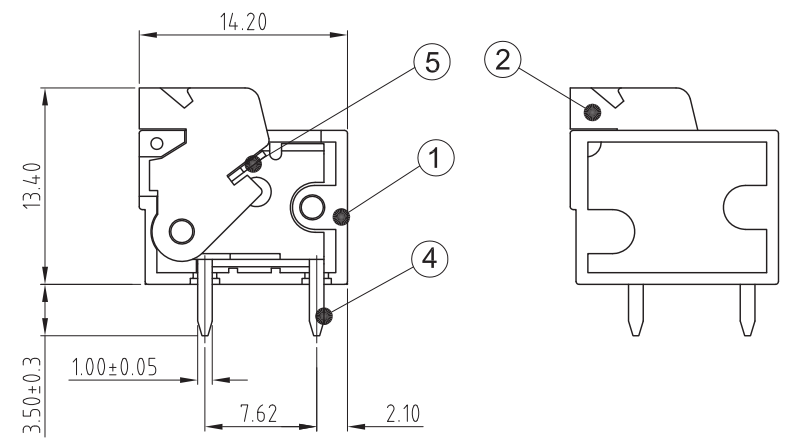
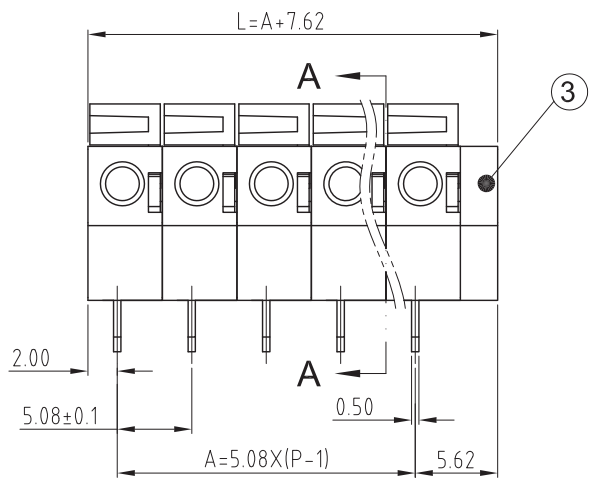
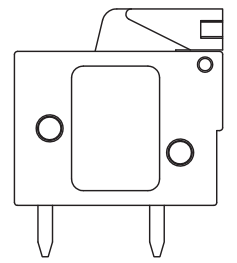


REV	CONTENT	CHK	DATE
V0.0		CXL	14.11.06



- NOTES:
- 1.Rating:300V 10A;
  - 2.Insulation Withstands Voltage: AC2000V/MIN;
  - 3.Insulation Resistance:500MΩ or more at DC500V;
  - 4.Using Temperature Range: -40°C/+105°C;
  - 5.Suitable Electric Wire:16-22 AWG
  - 6.insulation stripping length:7mm.
  - 7.RoHS compliance
  8. "★" is the important dimension.



SECTION A-A

			P	STAINLESS		
			P	BRASS	Sn Plated	
			1	PA66(UL94V-0)	GREEN	
			P	POM-V2	ORANGE	
			P	PA66(UL94V-0)	GREEN	
ITEM	NAME OF PART		NO. OF PART	Q'TY	MATERIAL	NOTE
DWG.	CXL	DATE	14.10.29	SIZE	A4 UNITS mm	SHEET/OF 1 / 1
CHK.		DATE		SCALE	1 : 1	
APP.		DATE		NAME KSE-142R-5.08-XX		
KEEN SIDE ELECTRONICS				DWGNO.		

Total Pitch Tolerances in mm										Nominal dimension range in mm										⊥	≡	-	//		
over 0	over 30	over 53	over 70	over 90	over 115	over 150	over 250	over 350	over 500	over 0	over 30	over 53	over 70	over 90	over 115	over 150	over 200	over 250	over 320	over 0	over 10	all	over 0	over 100	over 150
to 30	to 53	to 70	to 90	to 115	to 150	to 250	to 350	to 500	to 500	to 30	to 53	to 70	to 90	to 115	to 150	to 200	to 250	to 320	to 320	to 10	to 10		to 100	to 150	to 150
±0.18	±0.20	±0.25	±0.3	±0.35	±0.44	±0.60	±0.70	±0.85	±0.20	±0.25	±0.30	±0.35	±0.44	±0.55	±0.70	±0.80	±0.90	±0.90	±0.90	0.2	0.3	0.3	0.2	0.3	0.5