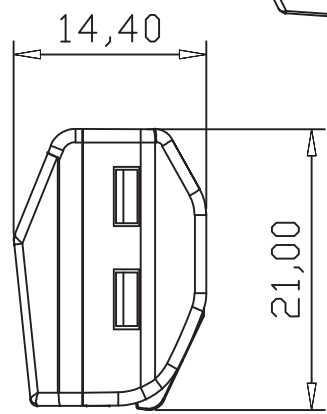
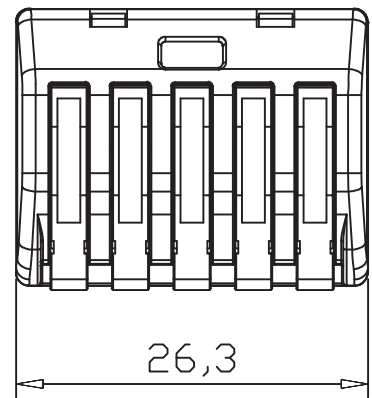


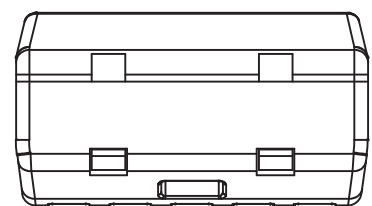
9,2  
18,4



14,40  
21,00



26,3



Product model	PCT-215
Product name	Terminal block
Rated voltage	400V
Rated current	32A
Wiring range	Hard wire 0,08mm <sup>2</sup> -4,0mm <sup>2</sup>
	Flexible wire 0,08mm <sup>2</sup> -2,5mm <sup>2</sup>
Stripping length	9-10mm/0,39in
Operating temperature	-20C° — 105C°
Product hole	5
Plastic material	Flame Retardant Nylon
Contact material	Copper
Shrapnel material	Stainless steel

Total Pitch Tolerances in mm										Nominal dimension range in mm										⊥	≡	-	//								
over 0	over 30	over 53	over 70	over 90	over 115	over 150	over 250	over 350	over 500	over 0	over 30	over 53	over 70	over 90	over 115	over 150	over 200	over 250	over 320	over 0	over 10	all	over 0	over 100	over 150	over 150					
±0.18	±0.25	±0.30	±0.35	±0.40	±0.45	±0.60	±0.70	±0.85	±0.20	±0.25	±0.30	±0.35	±0.44	±0.55	±0.70	±0.80	±0.90	0.2	0.3	0.3	0.2	0.3	0.5								

ITEM	NAME OF PART	NO. OF PART	Q'TY	MATERIAL			NOTE	
DWG.	ZX	DATE	SIZE	A4	UNITS	mm	SHEET/OF	1 / 1
CHK.		DATE	SCALE	3:1				
APP.		DATE			NAME KSE-222-415			
KEEN SIDE ELECTRONICS					DWGNO.			