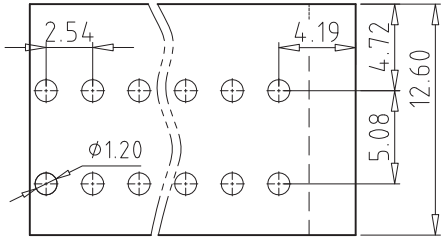
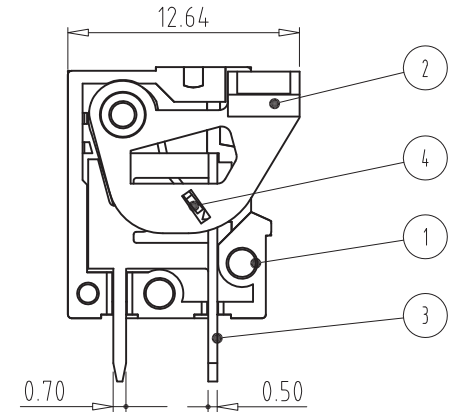
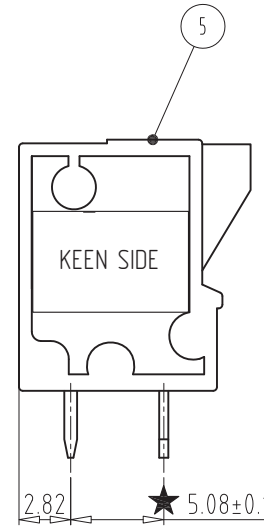
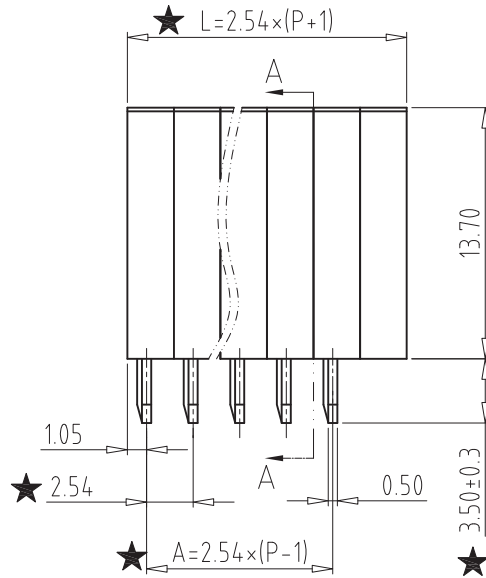
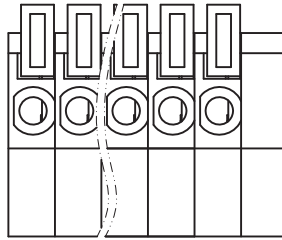


| | | | |
|------|---------|-----|----------|
| REV | CONTENT | CHK | DATE |
| V0.0 | CONTENT | CXL | 14.09.27 |



P.C.B LAYOUT



SECTION A-A

NOTES:

1. Rating: 150V 2A,
2. Insulation Withstands Voltage: AC1300V/MIN;
3. Insulation Resistance: $\geq 500M \Omega$ or more at DC500V
4. Using Temperature Range: $-40^{\circ}C/+105^{\circ}C$
5. Suitable Electric Wire: 20-26 AWG
6. ★ "The important dimension."

| | | | | | | | | | | | | | | | |
|---------|-------|-------|-------|-------|-------|-------|-------|-------|-------|-------|-------|-------|-------|-------|-------|
| DIM \ P | 2 | 3 | 4 | 5 | 6 | 7 | 8 | 9 | 10 | 11 | 12 | 13 | 14 | 15 | |
| L | 7.62 | 10.16 | 12.7 | 15.24 | 17.78 | 20.32 | 22.86 | 25.4 | 27.94 | 30.48 | 33.02 | 35.56 | 38.1 | 40.64 | |
| A | 2.54 | 5.08 | 7.62 | 10.16 | 12.7 | 15.24 | 17.78 | 20.32 | 22.86 | 25.4 | 27.94 | 30.48 | 33.02 | 35.56 | |
| DIM \ P | 16 | 17 | 18 | 19 | 20 | 21 | 22 | 23 | 24 | 25 | 26 | 27 | 28 | 29 | 30 |
| L | 43.18 | 45.72 | 48.26 | 50.8 | 53.34 | 55.88 | 58.42 | 60.96 | 63.5 | 66.04 | 68.58 | 71.12 | 73.66 | 76.2 | 78.74 |
| A | 38.1 | 40.64 | 43.18 | 45.72 | 48.26 | 50.8 | 53.34 | 55.88 | 58.42 | 60.96 | 63.5 | 66.04 | 68.58 | 71.12 | 73.66 |

| | | | | | | | | | | | | | | | | | | | | | | | | | |
|------------------------------|---------|---------|---------|---------|----------|----------|----------|----------|----------|-------------------------------|---------|---------|---------|---------|----------|----------|----------|----------|----------|--------|---------|-----|--------|----------|----------|
| Total Pitch Tolerances in mm | | | | | | | | | | Nominal dimension range in mm | | | | | | | | | | ⊥ | ≡ | — | // | | |
| over 0 | over 30 | over 53 | over 70 | over 90 | over 115 | over 150 | over 250 | over 350 | over 500 | over 0 | over 30 | over 53 | over 70 | over 90 | over 115 | over 150 | over 200 | over 250 | over 320 | over 0 | over 10 | all | over 0 | over 100 | over 150 |
| to 30 | to 53 | to 70 | to 90 | to 115 | to 150 | to 250 | to 350 | to 500 | | to 30 | to 53 | to 70 | to 90 | to 115 | to 150 | to 200 | to 250 | to 320 | | to 10 | | | to 100 | to 150 | |
| ±0.18 | ±0.20 | ±0.25 | ±0.3 | ±0.35 | ±0.4 | ±0.60 | ±0.70 | ±0.85 | ±0.20 | ±0.25 | ±0.30 | ±0.35 | ±0.44 | ±0.55 | ±0.70 | ±0.80 | ±0.90 | | | 0.2 | 0.3 | 0.3 | 0.2 | 0.3 | 0.5 |

| | | | | | | | | | |
|-----------------------|--------------|------|-------------|---|-----------|----------|------------|------|----------------|
| | | | | 1 | PA66(V0) | | | | |
| | | | | P | STAINLESS | | | | |
| | | | | P | BRASS | | Tin Plated | | |
| | | | | P | POM(V2) | | | | |
| | | | | P | PA66(V0) | | | | |
| ITEM | NAME OF PART | | NO. OF PART | | Q'TY | MATERIAL | | NOTE | |
| DWG. | CXL | DATE | 14.09.27 | | SIZE | A4 | UNITS | mm | SHEET/OF 1 / 1 |
| CHK. | | DATE | | | SCALE | 2.5:1 | | | |
| APP. | | DATE | | | | | | | |
| KEEN SIDE ELECTRONICS | | | | | | | | | |
| | | | | | DWGNO. | | | | |