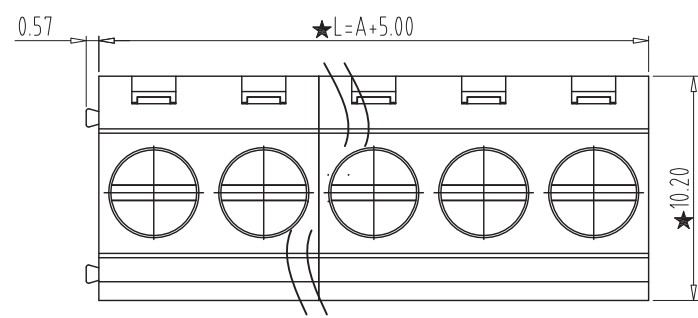
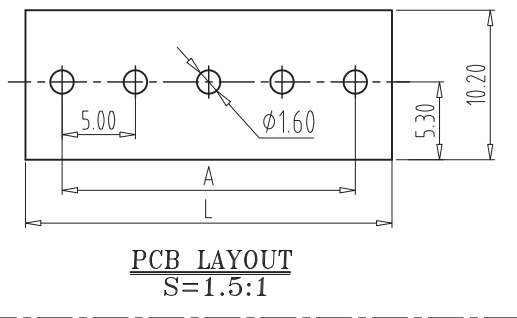
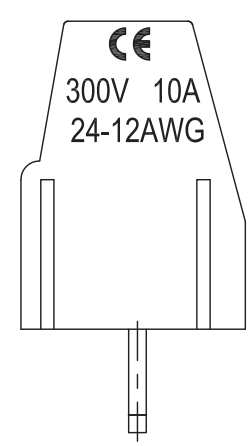
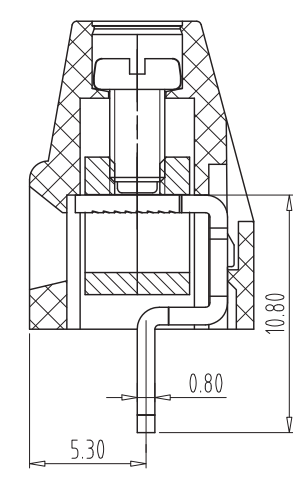
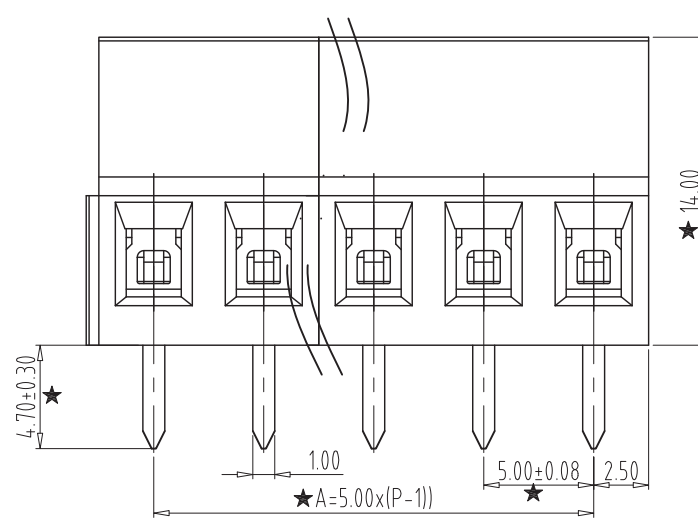
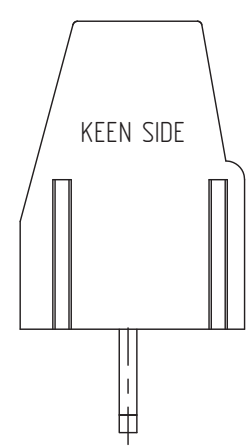


REV	CONTENT	CHK	DATE
-----	---------	-----	------



- NOTES:**
1. Rating:300V 10A;
  2. Insulation Withstands Voltage: AC2000V/MIN;
  3. Insulation Resistance: 500MΩ or more at DC500V
  4. Using Temperature Range: -40°C/+105°C;
  5. Screw Torque Vlaue:0.4N.m;
  6. Suitable Electric Wire: 12-24AWG .
  7. "★" is critical dimension to be controlled.



Total Pitch Tolerances in mm										Nominal dimension range in mm										⊥	≡	-	//					
over 0	over 30	over 53	over 70	over 90	over 115	over 150	over 250	over 350	over 500	over 0	over 30	over 53	over 70	over 90	over 115	over 150	over 200	over 250	over 320	over 0	over 10	over 100	over 150	over 150				
±0.18	±0.25	±0.30	±0.35	±0.40	±0.45	±0.60	±0.70	±0.85	±0.20	±0.25	±0.30	±0.35	±0.44	±0.55	±0.70	±0.80	±0.90	0.2	0.3	0.3	0.2	0.3	0.5					

ITEM	NAME OF PART	NO. OF PART	Q'TY	MATERIAL	NOTE
DWG.	ZX	DATE	2020/05/10	SIZE	A4 UNITS mm SHEET/OF 1/1
CHK.		DATE		SCALE	3:1
APP.		DATE		NAME	KSE-128-5.00-XX
KEEN SIDE ELECTRONICS				DWGNO.	