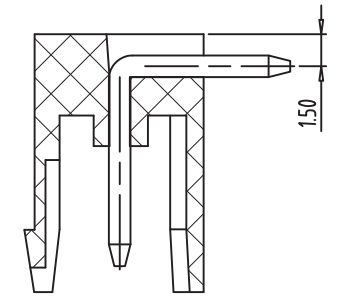
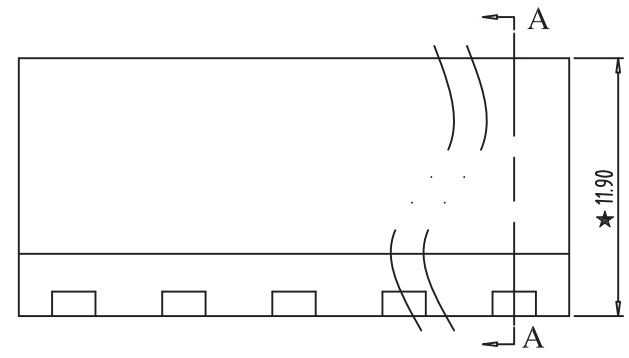
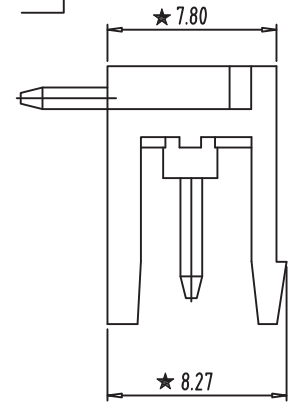
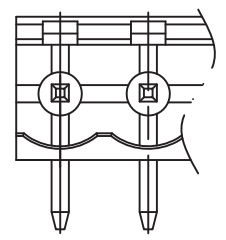
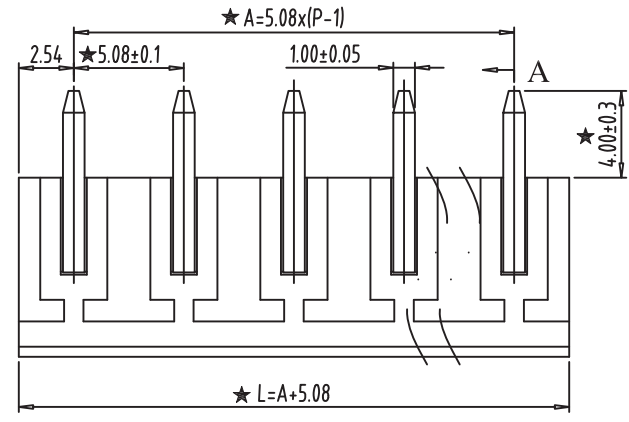
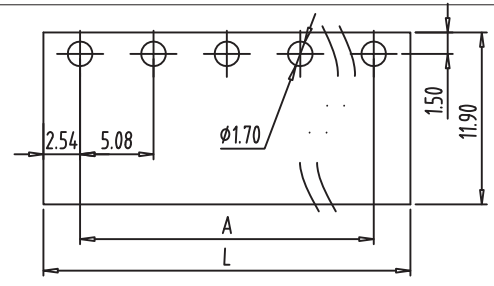


REV	CONTENT	CHK	DATE
V0.0	CONTENT	SK	2014/08/19



- NOTES:
1. Rating: 300V 15A ;
 2. Insulation Withstands Voltage: AC2000V/MIN
 3. Insulation Resistance: 500MΩ or more at DC500V
 4. Using Temperature Range: -40°C ~ +105°C
 5. "★" is the important dimension
 6. RoHS compliance

Total Pitch Tolerances in mm										Nominal dimension range in mm										⊥	=	-	//				
over 0	over 30	over 53	over 70	over 90	over 115	over 150	over 250	over 350	over 500	over 0	over 30	over 53	over 70	over 90	over 115	over 150	over 200	over 250	over 320	over 0	over 10	over 100	over 150	0	10	100	150
±0.18	±0.20	±0.25	±0.3	±0.35	±0.44	±0.60	±0.70	±0.85	±0.20	±0.25	±0.30	±0.35	±0.44	±0.55	±0.70	±0.80	±0.90	0.2	0.3	0.3	0.2	0.3	0.5				

ITEM	NAME OF PART	NO. OF PART	Q'TY	MATERIAL	NOTE
DWG.	SK	DATE	2014/08/19	SIZE A4	UNITS mm
CHK.		DATE		SCALE 3:1	SHEET/OF 1/1
APP.		DATE		NAME KSE-2EDGR-5.08-XX	
KEEN SIDE ELECTRONICS				DWGNO.	