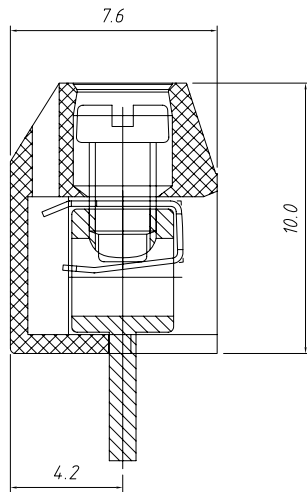
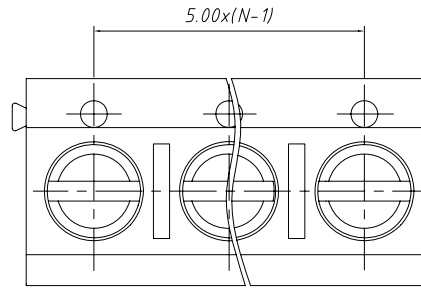
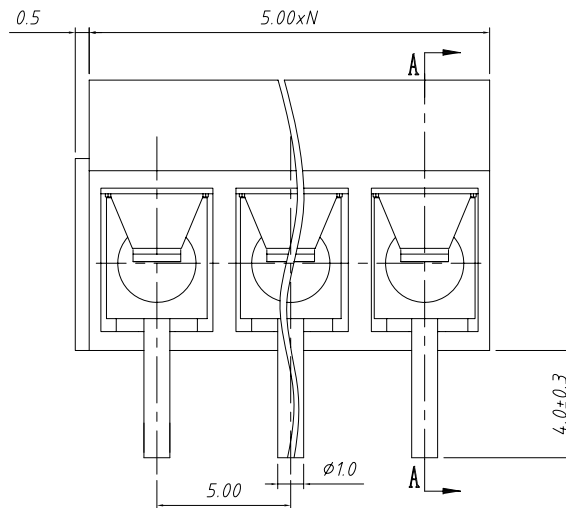


PCB LAYOUT



SECTION A-A



Material

Screw: M2.5, Steel, Zn plated
 Shrapnel: Phosphor bronze, Nickel plated
 Pin header: Brass, Tin plated
 Housing: PA66 or PBT, UL94V-0

Electrical

Rated voltage: 250V
 Rated current: 16A
 Wire range: 22~14AWG 1.5mm²
 Contact Resistance: 20 mΩ
 Insulation resistance: 500MΩ/DC500V
 Withstand voltage: AC2000V / 1min

Mechanical

Temp. Range: -40 °C ~ +105 °C
 Soldering: 250 °C 5Sec. Max.
 Torque: 0.4 N.m (3.5Lb. in)
 Strip length: 4.5~5 mm

Order Information

L-KLS2-301-5.00-XXP-2 S XX

RoHS
 Terminal Block
 Pitch
 No.: of Pole
 Product Code: 00~99
 Screw: S- Slot Screw
 Color: 2- Blue

GENERAL TOLERANCE		ANGLE TOLERANCE		PROJECTION	Description:	
X. ±0.60	.X ±0.38	.XX ±0.25	X. ±5°	.X ±3°	.XX ±2°	Screw CONN TERM BLOCK 5.00MM KLS P/N: KLS2-301-5.00-XXP-2S
UNITS		mm		SHEET SIZE		
A4		KLS P/N:				

Draw by: Date	2015-09-01
Check by: Date	2015-09-15
SCALE	SHEET OF

KLS ELECTRONIC CO., LTD.