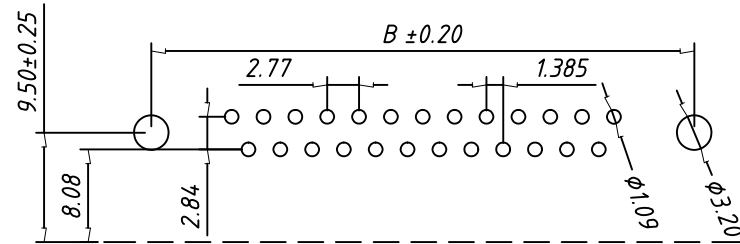
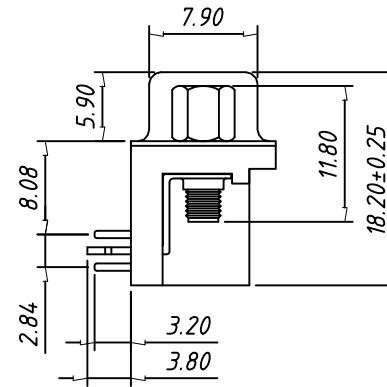
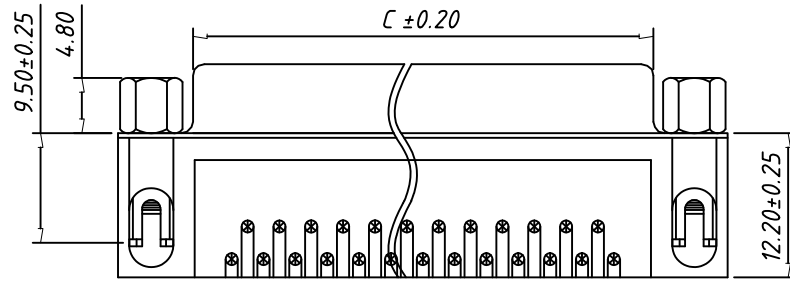
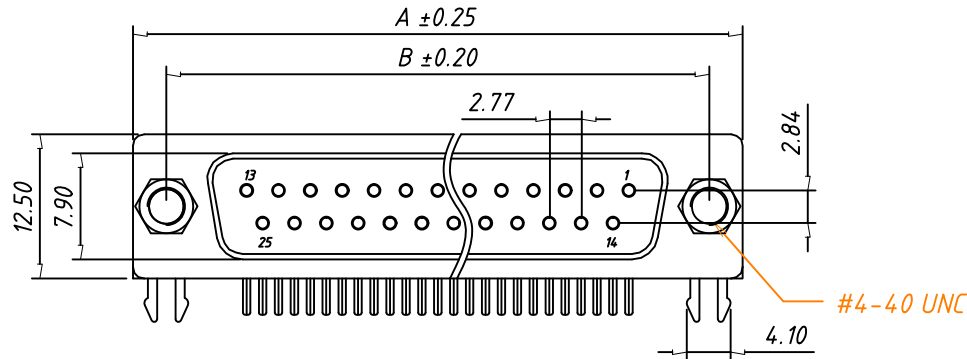


**Material:**  
 Housing: PBT+30% Glass filled ,UL 94V-0  
 Contacts: Brass ,Gold Plating.  
 Shell: Steel, Nickel Plating

**Electrical Characteristics:**  
 Current Rating: 5 AMP  
 Insulator Resistance: 1000M $\Omega$  Min. at DC 500V  
 Withstanding Voltage: 500V AC (rms) for 1 minute  
 Contact Resistance: 20m $\Omega$  Max. Initial  
 Operating Temperature: -55 $^{\circ}$ C ~ +105 $^{\circ}$ C



**RECOMMENDED PCB LAYOUT**  
 TOLERANCE:  $\pm 0.05\text{mm}$

Total Pitch Tolerances in mm									Nominal dimension range in mm										⊥		≡		-		//					
over 0	over 30	over 53	over 70	over 90	over 115	over 150	over 250	over 350	over 0	over 30	over 53	over 70	over 90	over 115	over 150	over 200	over 250	over 320	over 0	over 10	all	over 0	over 100	over 150	over 0.2	over 0.3	over 0.3	over 0.2	over 0.3	over 0.5
±0.18	±0.20	±0.25	±0.3	±0.35	±0.44	±0.60	±0.70	±0.85	±0.20	±0.25	±0.30	±0.35	±0.44	±0.55	±0.70	±0.80	±0.90	0.2	0.3	0.3	0.2	0.3	0.5							

ITEM	NAME OF PART	NO. OF PART	Q'TY	MATERIAL	NOTE
DWG.		DATE	SIZE	A4 UNITS mm	SHEET/OF 1 / 1
CHK.		DATE	SCALE		
APP.		DATE			
				<b>DRB-XXFA</b>	
				KEEN SIDE electronics	
				DWGNO.	