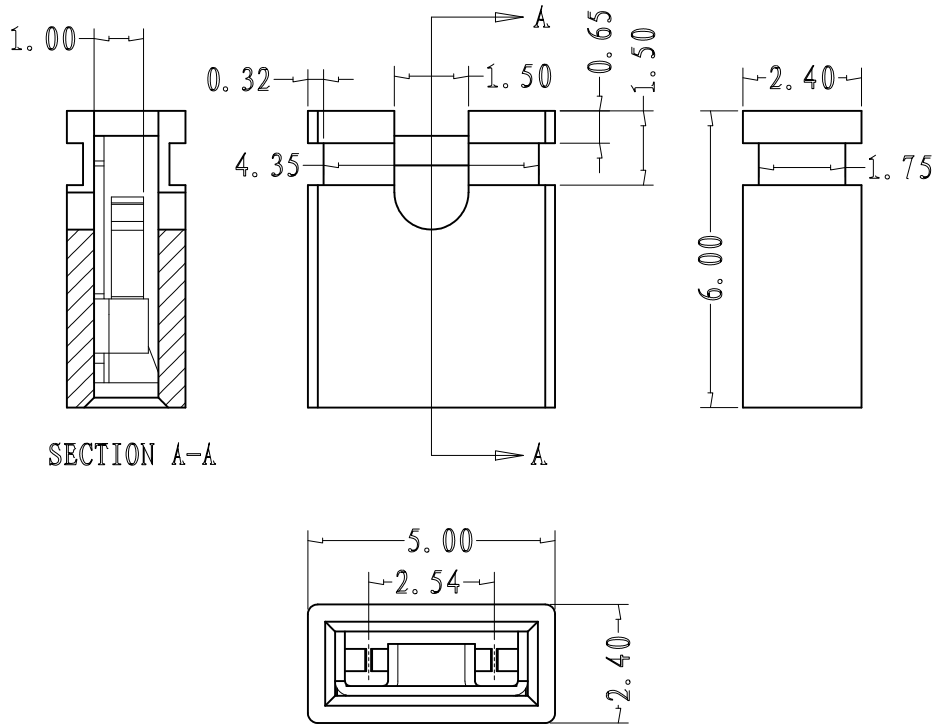
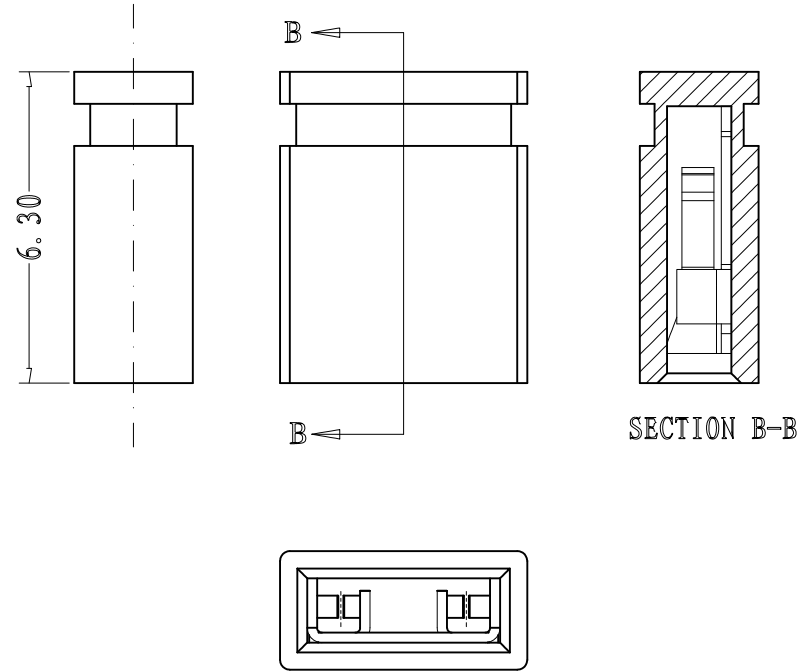


Type 1



Type 2



Undimensioned consistent with Type I

SPECIFICATION:

1. Insulator Material: PBT+GF(UL94-0), Black.
2. Contact Material: Phosphor bronze or brass, $T=0.2 \pm 0.02$ mm.
3. Contact Area Plated: Gold over Nickel or Tin.

Total Pitch Tolerances in mm										Nominal dimension range in mm										⊥	≡	-	//		
over 0	over 30	over 53	over 70	over 90	over 115	over 150	over 250	over 350	over 500	over 0	over 30	over 53	over 70	over 90	over 115	over 150	over 200	over 250	over 320	over 0	over 10	all	over 0	over 100	over 150
±0.18	±0.20	±0.25	±0.3	±0.35	±0.44	±0.60	±0.70	±0.85	±0.20	±0.25	±0.30	±0.35	±0.44	±0.55	±0.70	±0.80	±0.90	0.2	0.3	0.3	0.2	0.3	0.5		

ITEM	NAME OF PART		NO. OF PART	Q'TY	MATERIAL			NOTE	
DWG.	SK	DATE		SIZE	A4	UNITS	mm	SHEET/OF	1 / 1
CHK.		DATE		SCALE					
APP.		DATE							
					NAME		MJ-O-6 MJ-C-6.5		
					DWGNO.				

