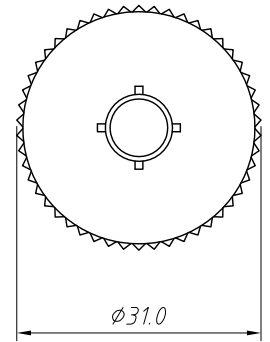
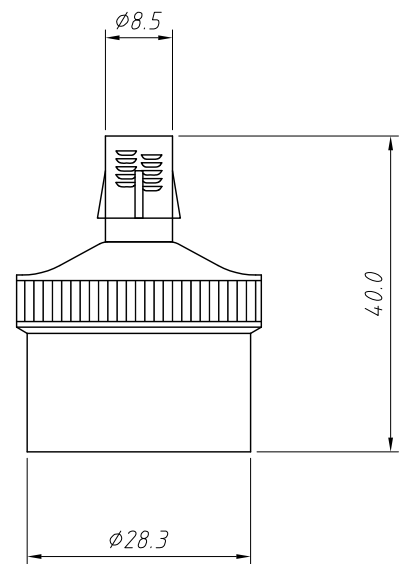
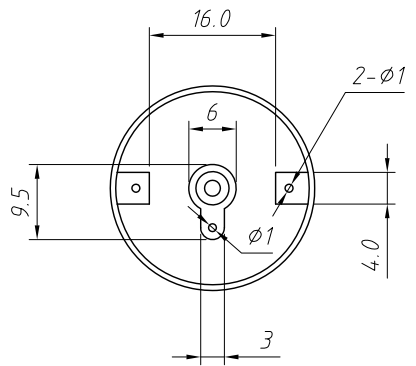
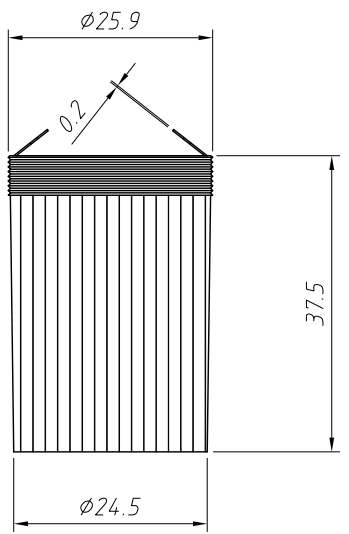


1
RoHS Compliance



ANGLE TOLERANCE	PROJECTION	Description:	
$\pm 3^\circ$		AUTO CIG PLUG	
GENERAL TOLERANCE	UNITS	mm	KLS P/N:
x.x ± 0.30	SHEET SIZE	A4	L-KLS5-CIG-022
x.xx ± 0.20	Draw:	Daniel	2020-11-11
x.xxx ± 0.10	Check:	Daniel	2020-11-11

