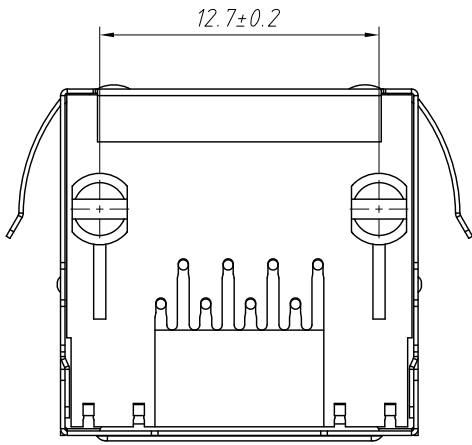


PC Board Layout



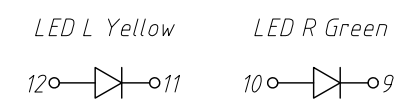
- Material:**
- 1.Insert Material: UL94V-0
  - 2.Contact:Phosphor Bronze  $\phi 0.46\text{mm}$ , Gold plating over nickel.
  - 3.Shield:0.20mm Thickness H65Y ,Brass Nickel Plated
  - 4.Mating/Unmating Force:2.2KG.F Max
  - 5.Retention Strength:7.7KG.F Min Between Jack And Plug

**Environmental:**

Storage:-40°C ~ +85°C Relative Humidity<70%

Operation:-40°C ~ +85°C

- Electrical:**
- 1.Current Rating:1.5A
  - 2.Voltage Rating:125VAC
  - 3.Contact Resistance:30M $\Omega$  Max.
  - 4 Insulation Resistance:500M $\Omega$  Min @500VDC
  - 5.Withstanding Voltage:1000VAC 50Hz or 60Hz 1min



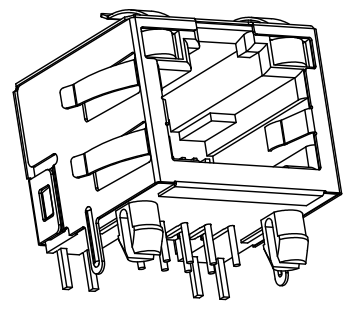
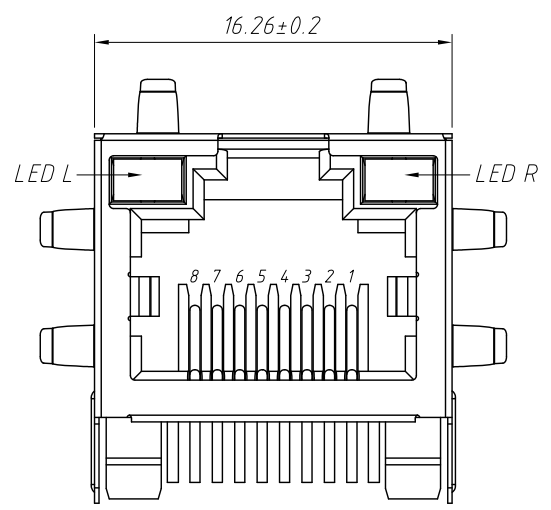
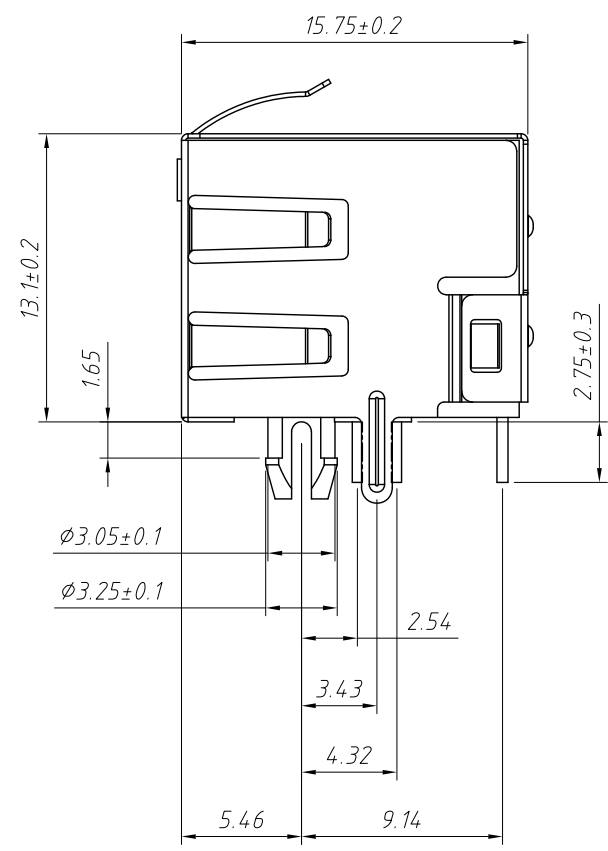
**Order Information**

L-KLS12-108-8P8C-1x1-2-Y/G-0-01

Point NO.	Gold Thickness
8P8C Point	01-Fu"
Ports	Back Peg 02-3u"
1x1-1Ports	0-Without 03-6u"
Shielded	Back Peg 04-15u"
2-EMI Shielded	05-30u"

LED Y/G-Yellow/Green

RoHS



GENERAL TOLERANCE	PROJECTION		Description:
X. $\pm 0.30$	UNITS	mm	Modular jacks, RJ45-8P8C Jack,with LED & EMI
.X $\pm 0.25$	SCALE	1:1	
.XX $\pm 0.20$	Draw by:	Jenny	
ANGLE TOLERANCE	Check by:		KLS P/N: L-KLS12-108-8P8C-1x1-2-Y/G-0-01
X. $\pm 3^\circ$	Date	2018-03-01	NingBo KLS ELECTRONIC CO.,LTD.
.X $\pm 2^\circ$	SHEET	1 OF 1	
.XX $\pm 1^\circ$			