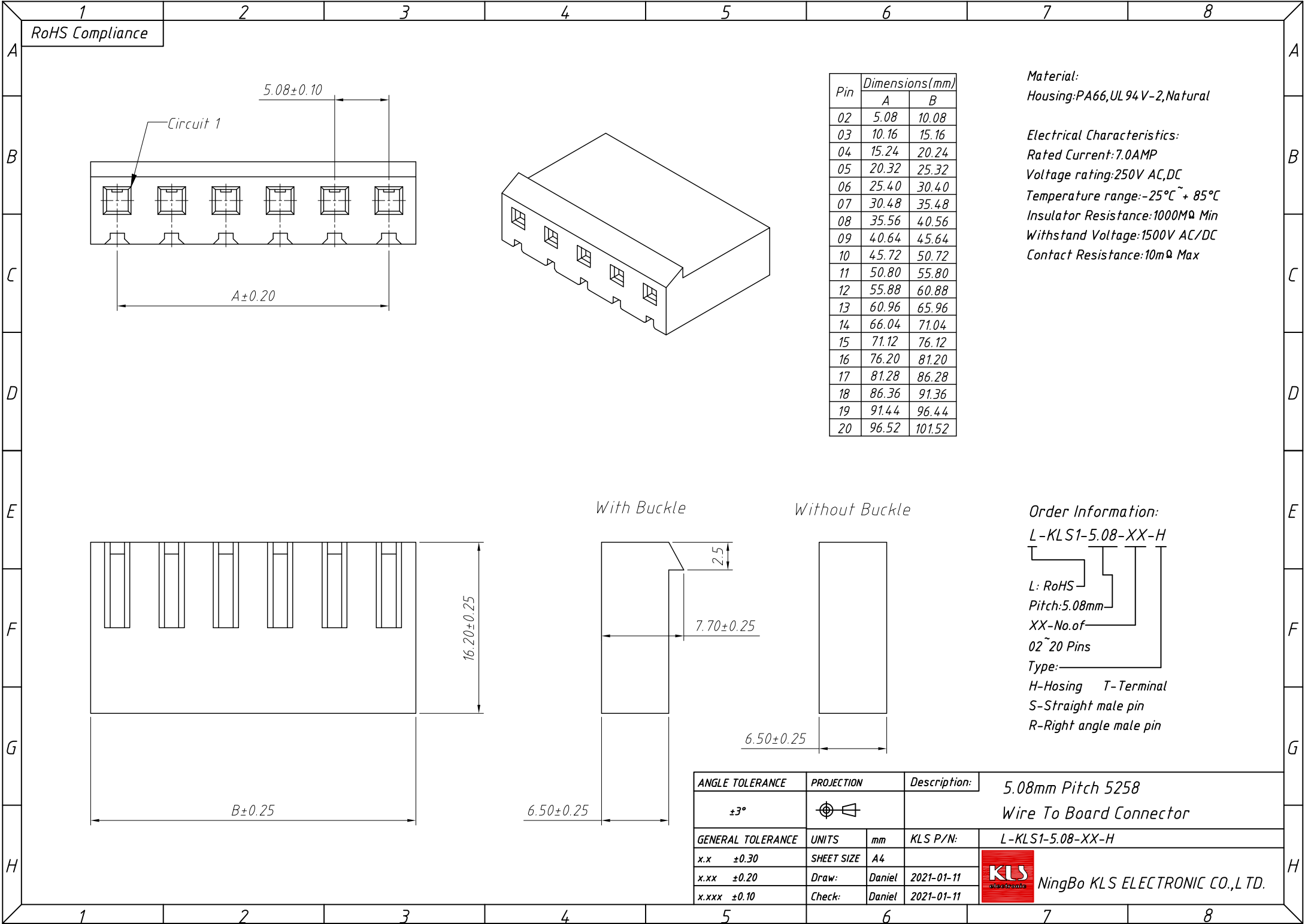


1  
RoHS Compliance



Pin	Dimensions(mm)	
	A	B
02	5.08	10.08
03	10.16	15.16
04	15.24	20.24
05	20.32	25.32
06	25.40	30.40
07	30.48	35.48
08	35.56	40.56
09	40.64	45.64
10	45.72	50.72
11	50.80	55.80
12	55.88	60.88
13	60.96	65.96
14	66.04	71.04
15	71.12	76.12
16	76.20	81.20
17	81.28	86.28
18	86.36	91.36
19	91.44	96.44
20	96.52	101.52

**Material:**  
Housing:PA66,UL 94 V-2,Natural

**Electrical Characteristics:**  
Rated Current:7.0AMP  
Voltage rating:250V AC,DC  
Temperature range:-25°C ~ + 85°C  
Insulator Resistance:1000M $\Omega$  Min  
Withstand Voltage:1500V AC/DC  
Contact Resistance:10m $\Omega$  Max

With Buckle

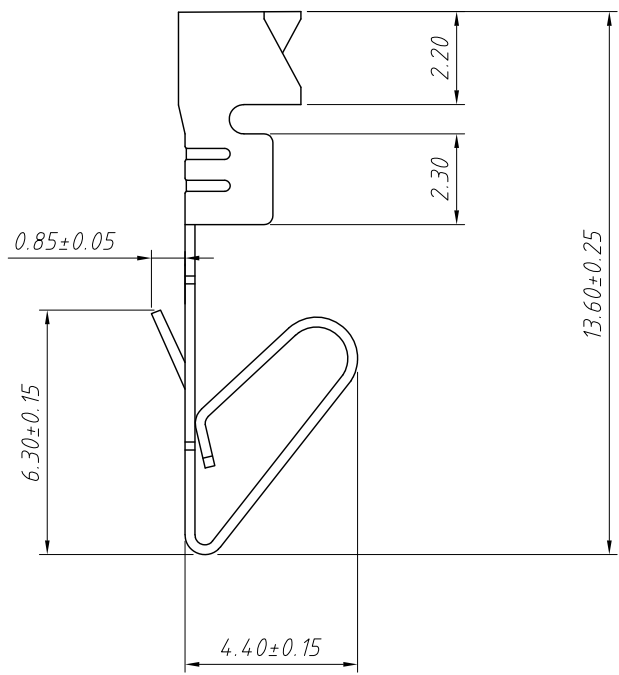
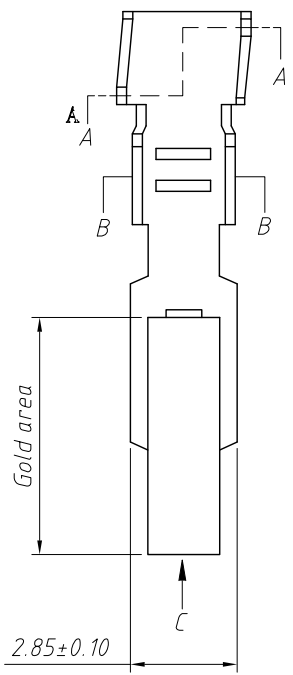
Without Buckle

**Order Information:**  
L-KLS1-5.08-XX-H

L: RoHS  
Pitch:5.08mm  
XX-No.of  
02~20 Pins  
Type:  
H-Hosing T-Terminal  
S-Straight male pin  
R-Right angle male pin

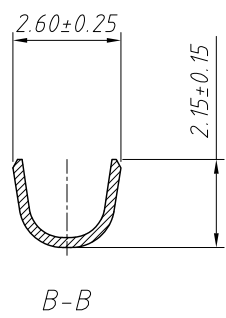
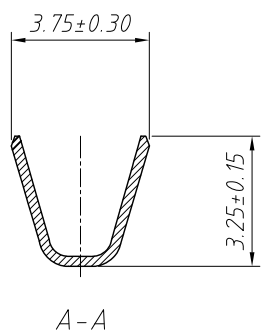
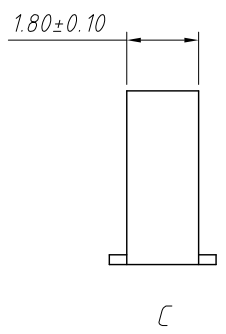
ANGLE TOLERANCE	PROJECTION	Description:	5.08mm Pitch 5258
$\pm 3^\circ$			Wire To Board Connector
GENERAL TOLERANCE	UNITS	mm	KLS P/N: L-KLS1-5.08-XX-H
x.x $\pm 0.30$	SHEET SIZE	A4	NingBo KLS ELECTRONIC CO.,LTD.
x.xx $\pm 0.20$	Draw:	Daniel 2021-01-11	
x.xxx $\pm 0.10$	Check:	Daniel 2021-01-11	

1  
RoHS Compliance



**Material:**  
 Terminal: Phosphor Bronze  
 Plating: 80~120u" Tin plated over 30u"/Min. Nickel plated.  
 Applicable wires: AWG #18~#24  
 Insulation O.D: 2.80mm Max  
 Qty/reel: 5000 PCS

**Electrical Characteristics:**  
 Rated Current: 7.0AMP  
 Voltage rating: 250V AC,DC  
 Temperature range: -25°C ~ +85°C  
 Insulator Resistance: 1000MΩ Min  
 Withstand Voltage: 1500V AC/DC  
 Contact Resistance: 10mΩ Max



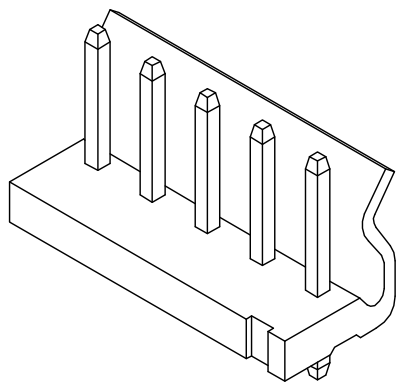
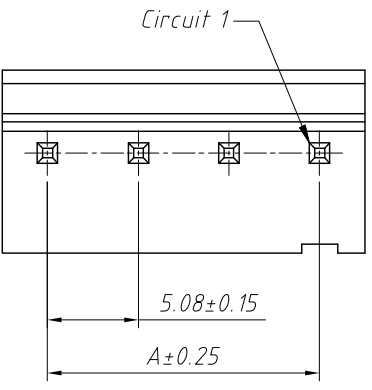
**Order Information:**  
 L-KLS1-5.08-T

L: RoHS  
 Pitch: 5.08mm  
 Type: \_\_\_\_\_  
 H-Hosing T-Terminal  
 S-Straight male pin  
 R-Right angle male pin

ANGLE TOLERANCE	PROJECTION	Description:	5.08mm Pitch 5258
±3°			Wire To Board Connector
GENERAL TOLERANCE	UNITS	mm	KLS P/N: L-KLS1-5.08-T
x.x ±0.30	SHEET SIZE	A4	NingBo KLS ELECTRONIC CO.,L TD.
x.xx ±0.20	Draw:	Daniel 2021-01-11	
x.xxx ±0.10	Check:	Daniel 2021-01-11	

1  
RoHS Compliance

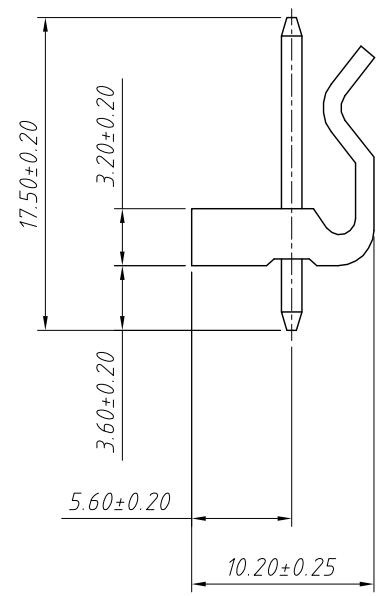
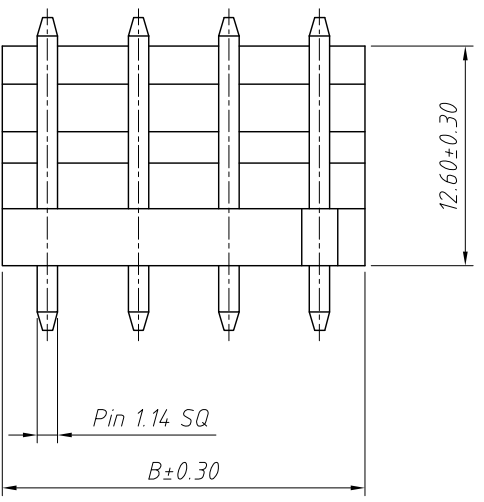
A  
B  
C  
D  
E  
F  
G  
H



Pin	Dimensions(mm)	
	A	B
02	5.08	10.16
03	10.16	15.24
04	15.24	20.32
05	20.32	25.40
06	25.40	30.48
07	30.48	35.56
08	35.56	40.64
09	40.64	45.72
10	45.72	50.80
11	50.80	55.88
12	55.88	60.96
13	60.96	66.04
14	66.04	71.12
15	71.12	76.20
16	76.20	81.28
17	81.28	86.36
18	86.36	91.44
19	91.44	96.52
20	96.52	101.60

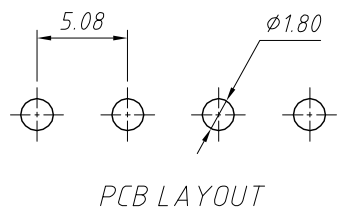
**Material:**  
Housing: PA66, UL 94 V-2, Natural  
Contact: Brass  
Plating: Tin Plated over 30u" Min. Nickel

**Electrical Characteristics:**  
Rated Current: 7.0AMP  
Voltage rating: 250V AC, DC  
Temperature range: -25°C ~ + 85°C  
Insulator Resistance: 1000MΩ Min  
Withstand Voltage: 1500V AC/DC  
Contact Resistance: 10mΩ Max

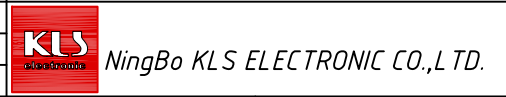


**Order Information:**  
L-KLS1-5.08-XX-S

L: RoHS  
Pitch: 5.08mm  
XX-No. of  
02 ~ 20 Pins  
Type:  
H-Hosing T-Terminal  
S-Straight male pin  
R-Right angle male pin

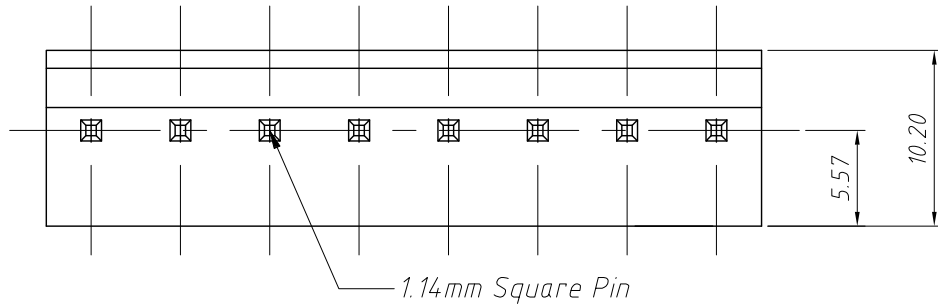


ANGLE TOLERANCE	PROJECTION	Description:	5.08mm Pitch 5258
±3°			Wire To Board Connector
GENERAL TOLERANCE	UNITS	mm	KLS P/N:
x.x ±0.30	SHEET SIZE	A4	L-KLS1-5.08-XX-S
x.xx ±0.20	Draw:	Daniel	2021-01-11
x.xxx ±0.10	Check:	Daniel	2021-01-11



1 2 3 4 5 6 7 8

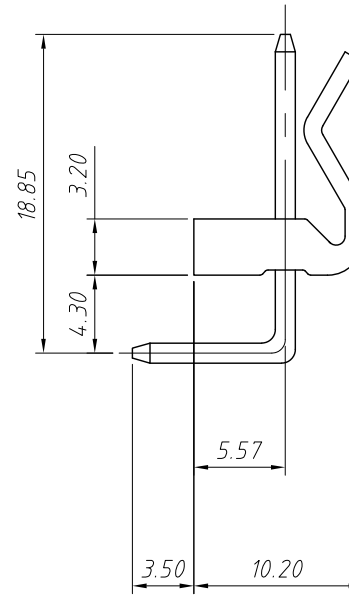
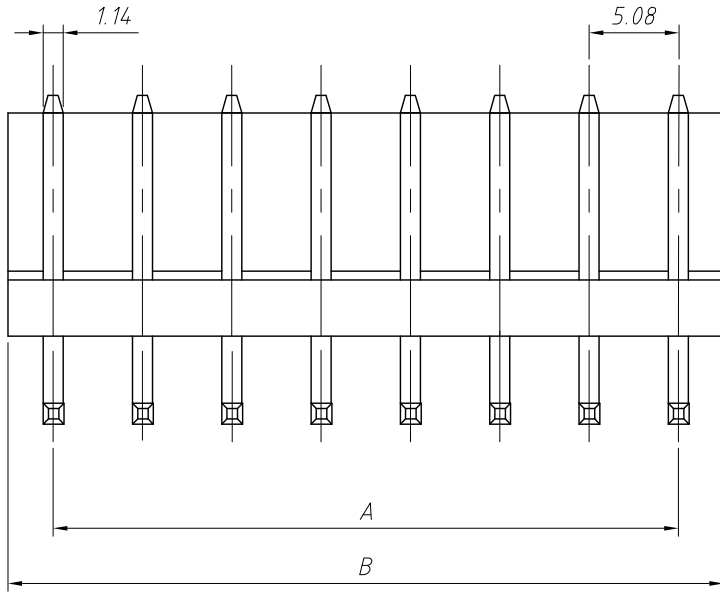
1  
RoHS Compliance



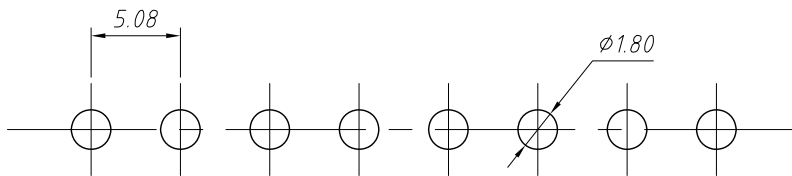
Pin	Dimensions(mm)	
	A	B
02	5.08	10.22
03	10.16	15.30
04	15.24	20.38
05	20.32	25.46
06	25.40	30.54
07	30.48	35.62
08	35.56	40.70
09	40.64	45.78
10	45.72	50.86

Material:  
Housing:PA66,UL 94 V-2,Natural  
Contact:Brass 1.14mm Square wire pins  
Plating: Tin Plated over Gold plated

Electrical Characteristics:  
Rated Current:7.0AMP  
Voltage rating:250V AC,DC  
Temperature range:-25°C ~ + 85°C  
Insulator Resistance:1000MΩ Min  
Withstand Voltage:1000V AC/DC  
Contact Resistance:20mΩ Max



Order Information:  
L-KLS1-5.08-XX-R  
L: RoHS  
Pitch:5.08mm  
XX-No.of  
02 ~ 20 Pins  
Type:  
H-Housing T-Terminal  
S-Straight male pin  
R-Right angle male pin



Recommended PCB Board Hole Dim.

ANGLE TOLERANCE	PROJECTION	Description:	5.08mm Pitch 5258 Wire To Board Connector
±3°			
GENERAL TOLERANCE	UNITS	mm	KLS P/N: L-KLS1-5.08-XX-R
x.x ±0.30	SHEET SIZE	A4	NingBo KLS ELECTRONIC CO.,LTD.
x.xx ±0.20	Draw:	Daniel 2021-01-11	
x.xxx ±0.10	Check:	Daniel 2021-01-11	