

5

4

3

2

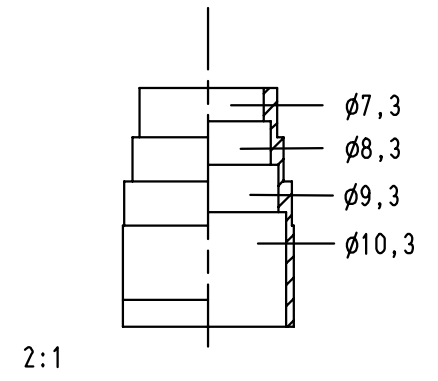
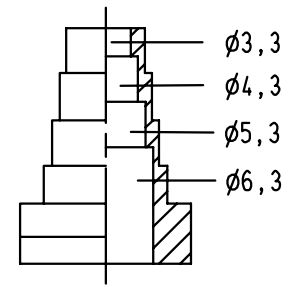
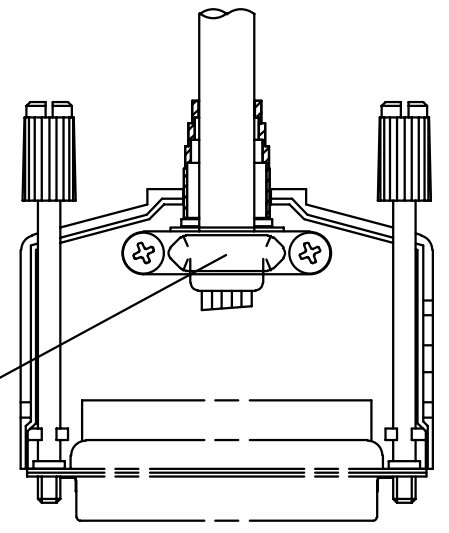
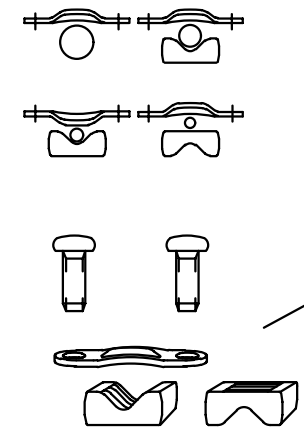
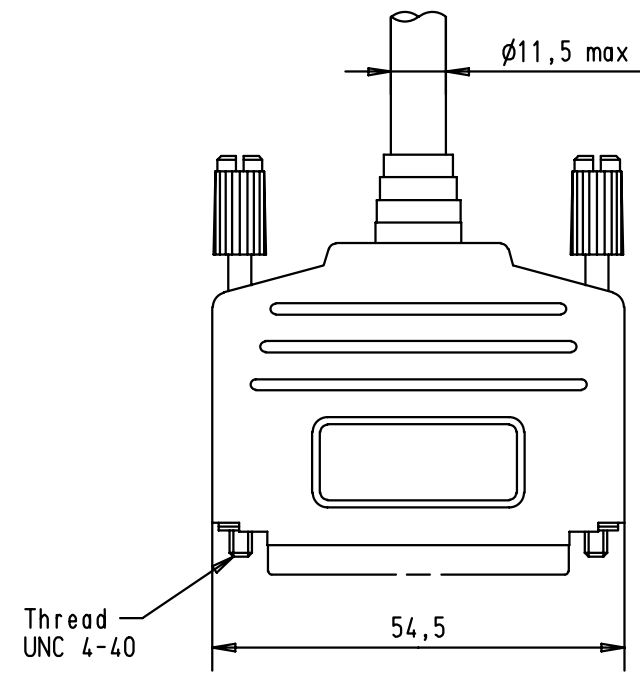
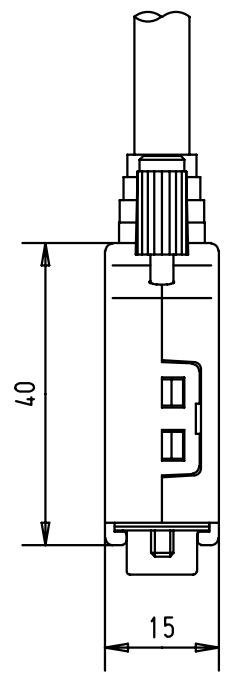
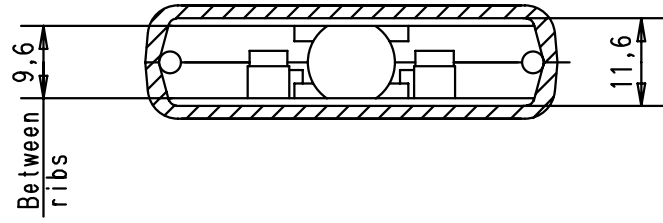
1

D

C

B

A



09 67 025 0425	4-40 UNC		29760	28-MAR-02	CV
Part number	Screw thread	Performance level	Mod.	Dat.	Name

	Dat.	Name
Detail.	28-MAR-02	CV
Insp.		
Stand.		
HARTING EURL F-95972 Paris		

D-Sub, Top entry hood with knurled screws 25 poles Thermoplastic metallized	Maßstab/ Scale 1:1 2:1
TB 09670250425	Blatt/ Page 1