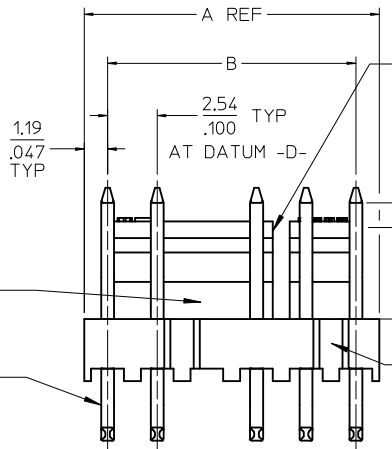
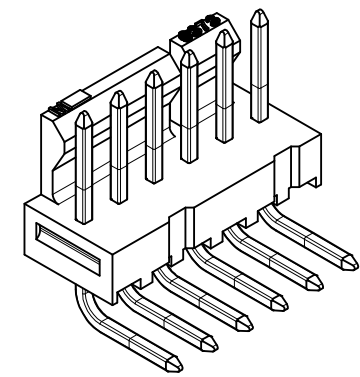
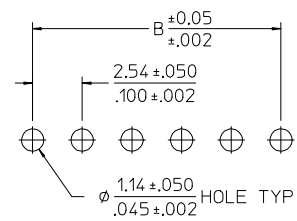
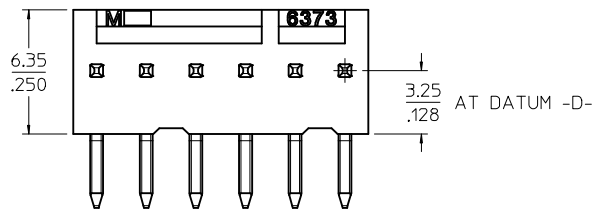


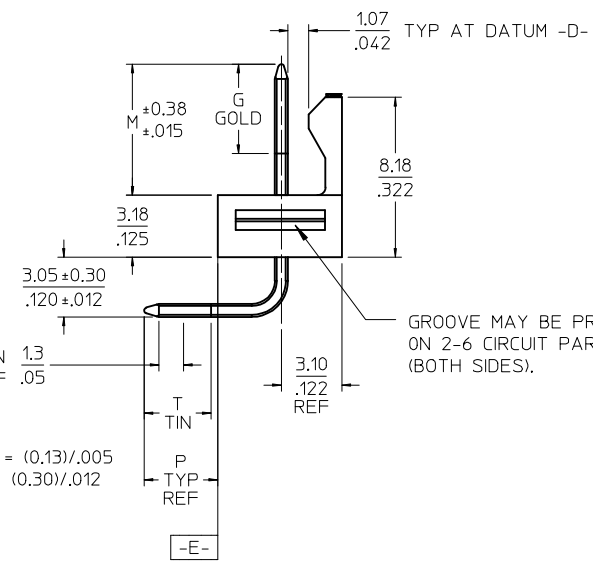
CKT	A	B	SLOTS LOCATION
02	4.93 .194	2.54 ± 0.05 .100 ± .002	NONE
03	7.47 .294	5.08 ± 0.10 .200 ± .004	NONE
04	10.01 .394	7.62 ± 0.15 .300 ± .006	NONE
05	12.55 .494	10.16 ± 0.15 .400 ± .006	NONE
06	15.09 .594	12.70 ± 0.18 .500 ± .007	4, 5
07	17.63 .694	15.24 ± 0.18 .600 ± .007	4, 5
08	20.17 .794	17.78 ± 0.20 .700 ± .008	4, 5
09	22.71 .894	20.32 ± 0.20 .800 ± .008	4, 5
10	25.25 .994	22.86 ± 0.23 .900 ± .009	4, 5
11	27.79 1.094	25.40 ± 0.23 1.000 ± .009	4, 5 8, 9
12	30.33 1.194	27.94 ± 0.25 1.100 ± .010	4, 5 8, 9



1.3 CENTERLINE OF PIN IN AREA SHOWN NOT .05 TO VARY FROM CENTERLINE OF PIN AT DATUM -D- BY MORE THAN 0.20/.008 IN ANY DIRECTION.

OPTIONAL VOIDED CIRCUIT SEE CHART FOR LOCATION  
CIRCUIT #1 REF. SEE NOTE 7

RECESSED GATE MAY BE PRESENT ON 2-12 CIRCUIT PARTS. LOCATION VARIES.



GROOVE MAY BE PRESENT ON 2-6 CIRCUIT PARTS (BOTH SIDES).

CENTERLINE OF PIN IN AREA SHOWN NOT TO VARY FROM CENTERLINE OF PIN AT DATUM -E- BY MORE THAN \*\*\* IN ANY DIRECTION.  
DIMENSION P UNDER (3.58)/.141 = (0.13)/.005  
DIMENSION P OVER (3.61)/.142 = (0.30)/.012

- NOTES:
- MATERIAL: HOUSING: NYLON, UL 94V-2, IEC 60335-1 5TH EDITION GLOW WIRE CAPABLE, COLOR: BLACK  
PINS: BRASS
  - FINISH:  
(197) = OVERALL REFLOWED MATTE TIN: 0.00152/.000060 MIN OVER 0.00127/.000050 MIN NICKEL.  
(208) = SELECT GOLD: 0.00038/.000015 MIN, SELECT MATTE TIN: 0.00254/.000100 MIN, BOTH OVER 0.00127/.000050 MIN NICKEL.  
(228) = SELECT GOLD: 0.00076/.000030 MIN, SELECT MATTE TIN: 0.00254/.000100 MIN, BOTH OVER 0.00127/.000050 MIN NICKEL.
  - PRODUCT SPECIFICATION AND PROCESS PARAMETERS: PS-171856-0001, PS-171856-0002
  - PACKAGING INFORMATION: SEE CHART.
  - MATES WITH 4455, 2695, 6471 SERIES
  - PARTS ARE STACKABLE END TO END ON 2.54/.100 CENTERS.
  - CIRCUIT ONE DESIGNATION IS USED TO DEFINE VOID LOCATION. CIRCUIT ONE MAY OR MAY NOT LINE UP WITH CIRCUIT ONE ON THE MATING HOUSING.
  - PIN PUSHOUT FORCE: 2 LBS MIN.
  - THIS PART CONFORMS TO CLASS B REQUIREMENTS OF COSMETIC SPECIFICATION PS-45499-002.

ADD PART NUMBERS	DESCRIPTION
EC NO: UCP2014-3462	
DRWN:MKIPPER 2014/03/26	
CHKD:JBELL 2014/03/26	
APPR:FSMITH 2014/05/13	
A2	REV

QUALITY SYMBOLS
▽/E=0
▽/E=0
▽/E=0

GENERAL TOLERANCES (UNLESS SPECIFIED)
4 PLACES ± --- ± ---
3 PLACES ± --- ± .010
2 PLACES ± 0.25 ± .015
1 PLACE ± 0.38 ± ---
0 PLACE ± ±

ANGULAR ±1/2°  
DRAFT WHERE APPLICABLE  
MUST REMAIN WITHIN DIMENSIONS

DIMENSION STYLE	SCALE	DESIGN UNITS	THIRD ANGLE PROJECTION
MM/IN	4:1	INCH	THIRD ANGLE PROJECTION

TITLE	DOCUMENT NO.	SHEET NO.
KK RPC .100 RIGHT ANGLE HEADER ASSEMBLY FRICTION LOCK	SD-171857-0001	1 OF *

**molex**

THIS DRAWING CONTAINS INFORMATION THAT IS PROPRIETARY TO MOLEX INCORPORATED AND SHOULD NOT BE USED WITHOUT WRITTEN PERMISSION

GROUP:	171857-0002/-0012			
PLATING:	197			
MATING: (M)	6.73 / .265			
DIM. G:	N/A			
PC TAIL: (P)	2.54 / .100			
DIM T:	OVERALL			
PACKAGING:	PK-7478-001 BULK			
CKTS	MATERIAL NUMBER	CKTS	MATERIAL NUMBER	VOID CKT
2	171857-0002			
3	171857-0003			
4	171857-0004			
5	171857-0005			
6	171857-0006			
7	171857-0007			
8	171857-0008			
9	171857-0009			
10	171857-0010			
11	171857-0011			
12	171857-0012			

GROUP:	171857-1002/-1012			
PLATING:	208			
MATING: (M)	6.73 / .265			
DIM. G:	5.08 / .200			
PC TAIL: (P)	2.54 / .100			
DIM T:	3.43 / .135			
PACKAGING:	PK-7478-001 BULK			
CKTS	MATERIAL NUMBER	CKTS	MATERIAL NUMBER	VOID CKT
2	171857-1002			
3	171857-1003			
4	171857-1004			
5	171857-1005			
6	171857-1006			
7	171857-1007			
8	171857-1008			
9	171857-1009			
10	171857-1010			
11	171857-1011			
12	171857-1012			

GROUP:	171857-2002/-2012			
PLATING:	228			
MATING: (M)	6.73 / .265			
DIM. G:	5.08 / .200			
PC TAIL: (P)	2.54 / .100			
DIM T:	3.43 / .135			
PACKAGING:	PK-7478-001 BULK			
CKTS	MATERIAL NUMBER	CKTS	MATERIAL NUMBER	VOID CKT
2	171857-2002			
3	171857-2003			
4	171857-2004			
5	171857-2005			
6	171857-2006			
7	171857-2007			
8	171857-2008			
9	171857-2009			
10	171857-2010			
11	171857-2011			
12	171857-2012			

REV: <b>A2</b>	ECR/ECN INFORMATION: EC No.: <b>UCP2014-3462</b> DATE: <b>5/20/2014</b>	TITLE: <b>KK RPC 100 RIGHT ANGLE HEADER ASSEMBLY, FRICTION LOCK</b>	SHEET No. <b>- 2 -</b>
DOCUMENT NUMBER: <b>SD - 171857 - 0001</b>		CREATED / REVISED BY: <b>MKIPPER</b>	CHECKED BY: <b>JBELL</b>
		APPROVED BY: <b>FSMITH</b>	

GROUP:				
PLATING:				
MATING: (M)				
DIM. G:				
PC TAIL: (P)				
DIM T:				
PACKAGING:				
CKTS	MATERIAL NUMBER	CKTS	MATERIAL NUMBER	VOID CKT
2				
3				
4				
5				
6				
7				
8				
9				
10				
11				
12				

GROUP:	171857-1102/-1112			
PLATING:	208			
MATING: (M)	6.71 / .264			
DIM. G:	4.57 / .180			
PC TAIL: (P)	3.58 / .141			
DIM T:	3.43 / .135			
PACKAGING:	PK-7478-001 BULK			
CKTS	MATERIAL NUMBER	CKTS	MATERIAL NUMBER	VOID CKT
2	171857-1102			
3	171857-1103			
4	171857-1104			
5	171857-1105			
6	171857-1106			
7	171857-1107			
8	171857-1108			
9	171857-1109			
10	171857-1110			
11	171857-1111			
12	171857-1112			

GROUP:				
PLATING:				
MATING: (M)				
DIM. G:				
PC TAIL: (P)				
DIM T:				
PACKAGING:				
CKTS	MATERIAL NUMBER	CKTS	MATERIAL NUMBER	VOID CKT
2				
3				
4				
5				
6				
7				
8				
9				
10				
11				
12				

<b>REV:</b> <b>A2</b>	<u>ECR/ECN INFORMATION:</u>	<u>TITLE:</u> <b>KK RPC 100 RIGHT ANGLE HEADER ASSEMBLY, FRICTION LOCK</b>	<u>SHEET No.</u> <b>- 3 -</b>	
	EC No.: <b>UCP2014-3462</b> DATE: <b>5/20/2014</b>			
<u>DOCUMENT NUMBER:</u> <b>SD - 171857 - 0001</b>		<u>CREATED / REVISED BY:</u> <b>MKIPPER</b>	<u>CHECKED BY:</u> <b>JBELL</b>	<u>APPROVED BY:</u> <b>FSMITH</b>

GROUP:					171857-3002/-3012				
PLATING:					197				
MATING: (M)					6.73 / .265				
DIM. G:					N/A				
PC TAIL: (P)					2.54 / .100				
DIM T:					OVERALL				
PACKAGING:					PK-171857-0001 TAPE AND REEL				
CKTS	MATERIAL NUMBER	CKTS	MATERIAL NUMBER	VOID CKT					
2	171857-3002								
3	171857-3003								
4	171857-3004								
5	171857-3005								
6	171857-3006								
7	171857-3007								
8	171857-3008								
9	171857-3009								
10	171857-3010								
11	171857-3011								
12	171857-3012								

GROUP:					171857-4002/-4012				
PLATING:					208				
MATING: (M)					6.73 / .265				
DIM. G:					5.08 / .200				
PC TAIL: (P)					2.54 / .100				
DIM T:					3.43 / .135				
PACKAGING:					PK-171857-0001 TAPE AND REEL				
CKTS	MATERIAL NUMBER	CKTS	MATERIAL NUMBER	VOID CKT					
2	171857-4002								
3	171857-4003								
4	171857-4004								
5	171857-4005								
6	171857-4006								
7	171857-4007								
8	171857-4008								
9	171857-4009								
10	171857-4010								
11	171857-4011								
12	171857-4012								

GROUP:									
PLATING:									
MATING: (M)									
DIM. G:									
PC TAIL: (P)									
DIM T:									
PACKAGING:									
CKTS	MATERIAL NUMBER	CKTS	MATERIAL NUMBER	VOID CKT					
2									
3									
4									
5									
6									
7									
8									
9									
10									
11									
12									

REV: <b>A2</b>	<u>ECR/ECN INFORMATION:</u>		<u>TITLE:</u> <b>KK RPC 100 RIGHT ANGLE HEADER ASSEMBLY, FRICTION LOCK</b>	<u>SHEET No.</u> <b>- 4 -</b>
	<u>EC No.:</u> <b>UCP2014-3462</b>	<u>DATE:</u> <b>5/20/2014</b>		
<u>DOCUMENT NUMBER:</u> <b>SD - 171857 - 0001</b>		<u>CREATED / REVISED BY:</u> <b>MKIPPER</b>	<u>CHECKED BY:</u> <b>JBELL</b>	<u>APPROVED BY:</u> <b>FSMITH</b>