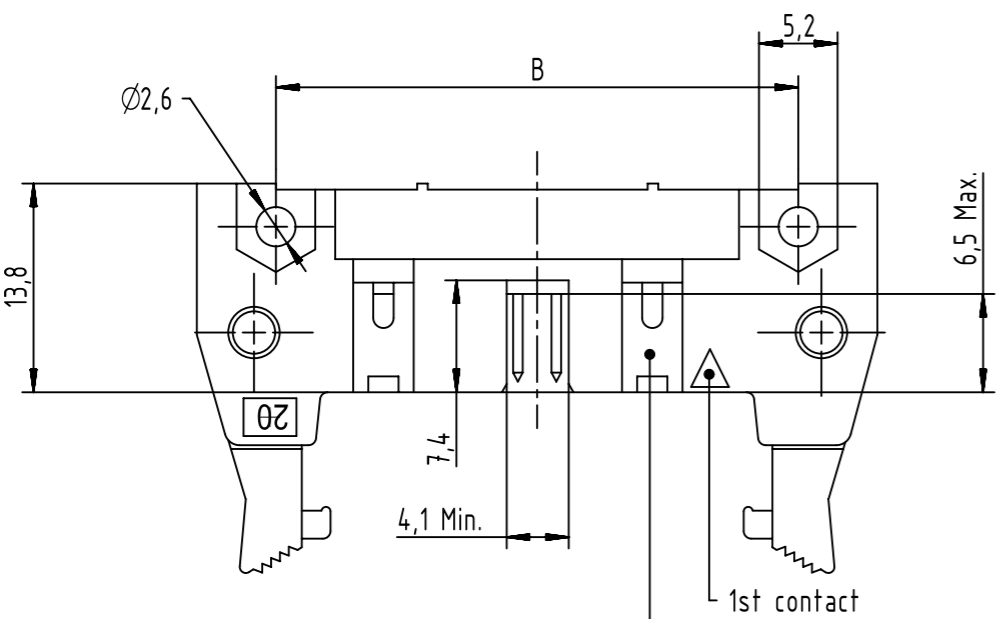


Coding style table	
	Style A: For connectors 6 poles
	Style B: For connectors from 10 to 14 poles
	Style C: For connectors from 16 to 64 poles




See tables for coding feature arrangement and style

-Technical information available on a separate document ref: DS 09181200001
 -Full range of P/N's and dimensions shown on page 2/2

	All Dimensions in mm Original Size DIN A3	Scale 2:1	Free size tol.	Ref.
	All rights reserved Department EC PD - FR	Created by DOUGE	Inspected by BAGDIKIAN	Standardisation HOFFMANN
HARTING Electronics GmbH D-32339 Espelkamp	Title SEK 18 male STD angled with long levers			Date 2014-05-16
	Type TB	Number 09185XXX903	State Final Release	Doc-Key / ECM-Nr. 100566947/UGD/001/A 50000068837
				Rev. A Page 1/2

Performance Level				Dimensions					
	PL3	PL2	S4	Insulator Color	A Max	B	D	E	G
Nb of Contacts	Part Number	Part Number	Part Number						
06	0918 506 7903	0918 506 6903	0918 506 5903	Grey	27,2	16,76	12,45	2,54 x 2 = 5,08	40,3
10	0918 510 7903	0918 510 6903	0918 510 5903		32,3	21,84	17,53	2,54 x 4 = 10,16	45,4
14	0918 514 7903	0918 514 6903	0918 514 5903		37,4	26,92	22,61	2,54 x 6 = 15,24	50,4
16	0918 516 7903	0918 516 6903	0918 516 5903		39,9	29,46	25,15	2,54 x 7 = 17,78	53,0
20	0918 520 7903	0918 520 6903	0918 520 5903		45,0	34,54	30,23	2,54 x 9 = 22,86	58,1
24	0918 524 7903	0918 524 6903	0918 524 5903		50,1	39,62	35,91	2,54 x 11 = 27,94	63,2
26	0918 526 7903	0918 526 6903	0918 526 5903		52,6	42,16	37,85	2,54 x 12 = 30,48	65,7
30	0918 530 7903	0918 530 6903	0918 530 5903		58,0	47,24	43,83	2,54 x 14 = 35,56	68,6
34	0918 534 7903	0918 534 6903	0918 534 5903		62,8	52,32	48,01	2,54 x 16 = 40,64	75,8
40	0918 540 7903	0918 540 6903	0918 540 5903		70,4	59,94	55,63	2,54 x 19 = 48,26	83,5
50	0918 550 7903	0918 550 6903	0918 550 5903		83,1	72,64	68,33	2,54 x 24 = 60,96	96,2
60	0918 560 7903	0918 560 6903	0918 560 5903		95,8	85,34	81,03	2,54 x 29 = 73,66	108,9
64	0918 564 7903	0918 564 6903	0918 564 5903		100,9	90,42	86,11	2,54 x 31 = 78,74	113,9
06	0918 506 7903 001	0918 506 6903 001	0918 506 5903 001		Black	27,2	16,76	12,45	2,54 x 2 = 5,08
10	0918 510 7903 001	0918 510 6903 001	0918 510 5903 001	32,3		21,84	17,53	2,54 x 4 = 10,16	45,4
14	0918 514 7903 001	0918 514 6903 001	0918 514 5903 001	37,4		26,92	22,61	2,54 x 6 = 15,24	50,4
16	0918 516 7903 001	0918 516 6903 001	0918 516 5903 001	39,9		29,46	25,15	2,54 x 7 = 17,78	53,0
20	0918 520 7903 001	0918 520 6903 001	0918 520 5903 001	45,0		34,54	30,23	2,54 x 9 = 22,86	58,1
24	0918 524 7903 001	0918 524 6903 001	0918 524 5903 001	50,1		39,62	35,91	2,54 x 11 = 27,94	63,2
26	0918 526 7903 001	0918 526 6903 001	0918 526 5903 001	52,6		42,16	37,85	2,54 x 12 = 30,48	65,7
30	0918 530 7903 001	0918 530 6903 001	0918 530 5903 001	58,0		47,24	43,83	2,54 x 14 = 35,56	68,6
34	0918 534 7903 001	0918 534 6903 001	0918 534 5903 001	62,8		52,32	48,01	2,54 x 16 = 40,64	75,8
40	0918 540 7903 001	0918 540 6903 001	0918 540 5903 001	70,4		59,94	55,63	2,54 x 19 = 48,26	83,5
50	0918 550 7903 001	0918 550 6903 001	0918 550 5903 001	83,1		72,64	68,33	2,54 x 24 = 60,96	96,2
60	0918 560 7903 001	0918 560 6903 001	0918 560 5903 001	95,8		85,34	81,03	2,54 x 29 = 73,66	108,9
64	0918 564 7903 001	0918 564 6903 001	0918 564 5903 001	100,9		90,42	86,11	2,54 x 31 = 78,74	113,9

	All Dimensions in mm Original Size DIN A3	Scale 2:1	Free size tol.	Ref.
	All rights reserved Department EC PD - FR	Created by DOUGE	Inspected by BAGDIKIAN	Standardisation HOFFMANN
HARTING Electronics GmbH D-32339 Espelkamp		Title SEK 18 male STD angled with long levers		Date 2014-05-16
		Type TB	Number 09185XXX903	State Final Release
			Doc-Key / ECM-Nr. 100566947/UGD/001/A 50000068837	Rev. A
			Page 2/2	