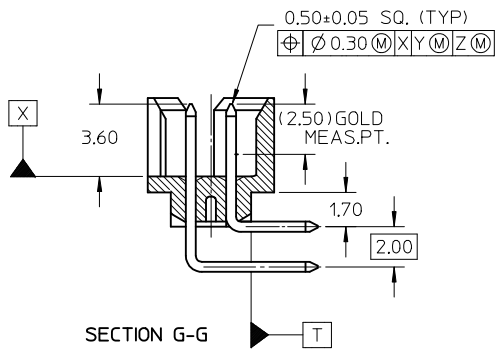
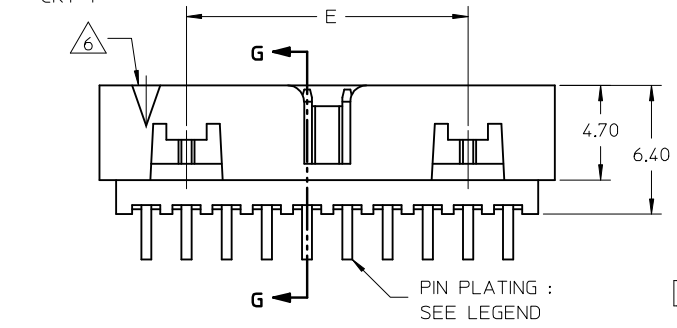
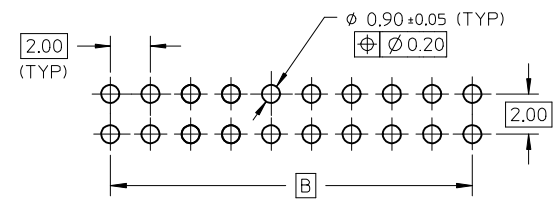
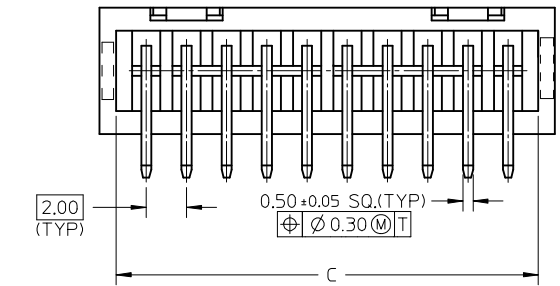


REF: ORIENTATION OF PART IN TUBE
(FOR THE REFERENCE OF PART/TUBE ASSEMBLY)



NOTES:

- FOR ILLUSTRATION PURPOSES, 20 CIRCUIT SIZE WAFER IS SHOWN.
- MATERIAL :
HOUSING : NYLON 46, UL94V-0, COLOR BLACK.
PIN : 0.50MM SQ.PHOSPHOR BRONZE.
- PRODUCT SPECIFICATION PS-87831-027 APPLIES.
- NO CENTRE POLARIZATION SLOT FOR CKT SIZE 4 AND 6.
- NO SIDE LOCKING SLOT FROM 4 TO 12 CKT SIZE.
- CKT 4 & 6 HAS NO IDENTIFICATION TAG.
- THIS HEADER MATES WITH MOLEX:
a) CRIMP RECEPTACLE HOUSING, 51110 SERIES WITH CRIMP TERMINAL, 50394 SERIES.
b) 2MM MILLIGRID DUAL ROW IDT, 87568 SERIES.
- PARTS TO BE PACKED IN TUBE WITH MOISTURE BARRIER BAG.
- PLATING SPECIFICATION REFERRED TO SHEET 2.
- PACKAGING SPEC: PK-87831-001 FOR TUBE
PK-87831-300 FOR T&R



ADD 87833-7120 EC NO: S2015-1222 DRW:CGOH CHKD:ATSEE APPR:KHLIM 2015/05/05 2015/05/14 2015/05/15	DESCRIPTION REV	QUALITY SYMBOLS $F_{\Delta} = 0$ $F_{\square} = 0$ $F_{\nabla} = 0$		GENERAL TOLERANCES (UNLESS SPECIFIED) mm INCH		DIMENSION STYLE MM ONLY		SCALE NTS	DESIGN UNITS METRIC	THIRD ANGLE PROJECTION
		4 PLACES ± --- ± --- 3 PLACES ± --- ± --- 2 PLACES ± 0.20 ± --- 1 PLACE ± --- ± --- 0 PLACE ± ±	DRAWN BY ATSEE DATE 2003/10/23	CHECKED BY KCLING DATE 2003/11/07	TITLE MGRID, SHROUDED HEADER W/SLOT AND STANDOFF, R/A					
		ANGULAR ± 3° DRAFT WHERE APPLICABLE MUST REMAIN WITHIN DIMENSIONS	MATERIAL NO. SEE TABLE	DATE 2010/11/19	DOCUMENT NO. SD-87833-010					
		SIZE A3	THIS DRAWING CONTAINS INFORMATION THAT IS PROPRIETARY TO MOLEX INCORPORATED AND SHOULD NOT BE USED WITHOUT WRITTEN PERMISSION							



	10	9	8	7	6	5	4	3	2	1	PLATING OPTION					
												PART NO IN TUBE (W/O KAPTON)	PART NO IN T&R (WITH KAPTON)	CKT SIZE	VOID PIN LOCATION	DIMENSION
									A	B	C	D	E	F		
F	PLS REFER TO PART 87833-***3* FOR CENTER LOCKING SLOT OPTION.											19,20 OR 21				
	87833-04**	-	4	-	6.65	2.00	5.00	4.85	---							
	87833-06**	-	6	-	8.65	4.00	7.00	6.85	---							
	87833-08**	-	8	-	10.65	6.00	9.00	8.85	---							
	87833-10**	-	10	-	12.65	8.00	11.00	10.85	---							
	87833-12**	-	12	-	14.65	10.00	13.00	12.85	---							
	87833-14**	-	14	-	16.65	12.00	15.00	14.85	8.00							
	87833-16**	-	16	-	18.65	14.00	17.00	16.85	10.00							
	87833-18**	-	18	-	20.65	16.00	19.00	18.85	12.00							
	87833-20**	-	20	-	22.65	18.00	21.00	20.85	14.00							
E	87833-22**	-	22	-	24.65	20.00	23.00	22.85	16.00							
	87833-24**	-	24	-	26.65	22.00	25.00	24.85	18.00							
	87833-26**	-	26	-	28.65	24.00	27.00	26.85	20.00							
	87833-28**	-	28	-	30.65	26.00	29.00	28.85	22.00							
	87833-30**	-	30	-	32.65	28.00	31.00	30.85	24.00							
	87833-32**	-	32	-	34.65	30.00	33.00	32.85	26.00							
	87833-34**	-	34	-	36.65	32.00	35.00	34.85	28.00							
	87833-36**	-	36	-	38.65	34.00	37.00	36.85	30.00							
	87833-38**	-	38	-	40.65	36.00	39.00	38.85	32.00							
	87833-40**	-	40	-	42.65	38.00	41.00	40.85	34.00							
D	87833-42**	-	42	-	44.65	40.00	43.00	42.85	36.00							
	87833-44**	-	44	-	46.65	42.00	45.00	44.85	38.00							
	87833-46**	-	46	-	48.65	44.00	47.00	46.85	40.00							
	87833-48**	-	48	-	50.65	46.00	49.00	48.85	42.00							
	87833-50**	-	50	-	52.65	48.00	51.00	50.85	44.00							
	87833-7000	-	34	21	36.65	32.00	35.00	34.85	28.00							
	87833-5121	-	26	14	28.65	24.00	27.00	26.85	20.00							
	87833-5120	-	10	7	12.65	8.00	11.00	10.85	---							
	87833-5520	-	40	21	42.65	38.00	41.00	40.85	34.00							
	87833-5620	-	20	14	22.65	18.00	21.00	20.85	14.00							
C	87833-5720	-	24	13	26.65	22.00	25.00	24.85	18.00							
	87833-5820	-	14	1	16.65	12.00	15.00	14.85	8.00							
	87833-63**	-	8	-	10.65	6.00	9.00	8.85	---							
	87833-53**	-	14	-	16.65	12.00	15.00	14.85	8.00							
	87833-5420	-	34	-	36.65	32.00	35.00	34.85	28.00							
	87833-5920	-	4	-	6.65	2.00	5.00	4.85	---							
	87833-6020	-	12	-	14.65	10.00	13.00	12.85	---							
	87833-6120	87833-7120	16	-	18.65	14.00	17.00	16.85	10.00							
	87833-6220	-	18	-	20.65	16.00	19.00	18.85	12.00							
	87833-6420	-	6	-	8.65	4.00	7.00	6.85	-							
B	87833-65**	-	20	-	22.65	18.00	21.00	20.85	14.00							

ADD 87833-7120 EC NO: S2015-1222 DRWN:CGOH CHKD:ATSEE APPR:KHLIM 2015/05/05 2015/05/14 2015/05/15 DESCRIPTION REV B9	QUALITY SYMBOLS	GENERAL TOLERANCES (UNLESS SPECIFIED)	DIMENSION STYLE	SCALE	DESIGN UNITS	THIRD ANGLE PROJECTION
	$\nabla_A = 0$ $\nabla_C = 0$ $\nabla_P = 0$	mm INCH 4 PLACES ± --- ± --- 3 PLACES ± --- ± --- 2 PLACES ± 0.20 ± --- 1 PLACE ± --- ± --- 0 PLACE ± ±	MM ONLY	NTS	METRIC	
	ANGULAR ± 3° DRAFT WHERE APPLICABLE MUST REMAIN WITHIN DIMENSIONS	DRAWN BY: ATSEE DATE: 2003/10/23 CHECKED BY: KCLING DATE: 2003/11/07 APPROVED BY: MLONG DATE: 2010/11/19 MATERIAL NO. DOCUMENT NO.	TITLE MGRID, SHROUDED HEADER W/SLOT AND STANDOFF, R/A			SHEET NO.
	SEE TABLE	SD-87833-010	2 OF 3	THIS DRAWING CONTAINS INFORMATION THAT IS PROPRIETARY TO MOLEX INCORPORATED AND SHOULD NOT BE USED WITHOUT WRITTEN PERMISSION		

10 9 8 7 6 5 4 3 2 1

PART NO.	CKT SIZE	VOID PIN LOCATION	DIMENSION						PLATING OPTION
			A	B	C	D	E	F	
87833-6620	28	-	30.65	26.00	29.00	28.85	22.00	3.18	20
87833-67**	30	-	32.65	28.00	31.00	30.85	24.00		20 OR 21
87833-6920	24	-	26.65	22.00	25.00	24.85	18.00		20

PART NUMBER LEGEND :

87833 - * * * * *

 PLATING OPTIONS:

- 18 - 0.38um/15uin PdNi WITH GOLD FLASH IN CONTACT AREA AND 1.88um/75uin MIN.TIN IN SOLDER TAIL AREA OVER 1.27um/50uin MIN. NICKEL OVERALL.
- 19 - 0.05 - 0.13um/2 - 5uin GOLD IN CONTACT AREA AND 1.88um/75uin MIN.TIN IN SOLDER TAIL AREA OVER 1.27um/50uin MIN. NICKEL OVERALL.
- 00/ 20 - 0.38um/15uin GOLD IN CONTACT AREA AND 1.88um/75uin MIN.TIN IN SOLDER TAIL AREA OVER 1.27um/50uin MIN. NICKEL OVERALL.
- 21 - 0.76um/30uin GOLD IN CONTACT AREA AND 1.88um/75uin MIN.TIN IN SOLDER TAIL AREA OVER 1.27um/50uin MIN. NICKEL OVERALL.

ADD 87833-7120 EC NO: S2015-1222 DRWN:CGOH CHKD:ATSEE APPR:KHLIM	2015/05/05 2015/05/14 2015/05/15	QUALITY SYMBOLS	GENERAL TOLERANCES (UNLESS SPECIFIED)		DIMENSION STYLE MM ONLY		SCALE NTS	DESIGN UNITS METRIC	THIRD ANGLE PROJECTION		
		$\nabla_A = 0$	mm	INCH	DRAWN BY	DATE	TITLE				
		$\nabla_C = 0$	4 PLACES ± ---	± ---	ATSEE	2003/10/23	MGRID, SHROUDED HEADER W/SLOT AND STANDOFF, R/A				
		$\nabla_F = 0$	3 PLACES ± ---	± ---	CHECKED BY	DATE					
	2 PLACES ± 0.20	± ---	KCLING	2003/11/07	<div style="text-align: center; font-size: 24pt; font-weight: bold;">molex</div> DOCUMENT NO. SD-87833-010 SHEET NO. 3 OF 3						
	1 PLACE ± ---	± ---	APPROVED BY	DATE							
	0 PLACE ±	±	MLONG	2010/11/19	MATERIAL NO. SEE TABLE						
	ANGULAR ± 3 °		DRAFT WHERE APPLICABLE MUST REMAIN WITHIN DIMENSIONS							THIS DRAWING CONTAINS INFORMATION THAT IS PROPRIETARY TO MOLEX INCORPORATED AND SHOULD NOT BE USED WITHOUT WRITTEN PERMISSION	
			SIZE								
			A3								

9 8 7 6 5 4 3 2 1