



# SPECIFICATION

**KSE-7U40000MAE143ZA3**

## Crystal Resonators

### SMD Seam 3.2×2.5×0.7mm 7U Series

---

#### FEATURE

- Reliable seam sealed ceramic package.
- Wide operating temperature range.
- Superior performance and stringent reliability in harsh environment.
- Application: TPMS, ECM, ABS and sensor modules.
- Compact size.
- RoHS Compliant / Pb Free.

#### ELECTRICAL SPECIFICATIONS

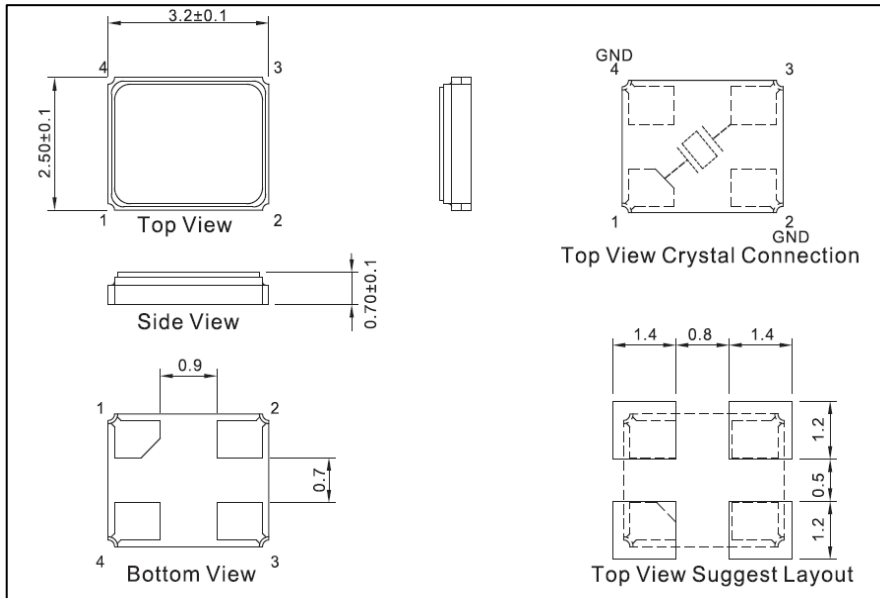
Nominal Frequency	40.000MHz
Mode	AT/Fundamental
Frequency Tolerance (at 25°C)	±10ppm
Frequency Stability Over Operating Temperature Characteristics	±30ppm
Operating Temperature Range	-40°C to +85°C
Storage Temperature Range	-55°C to +125°C
Shunt Capacitance (C0)	3.0 PF Max
Driver Level (DL)	100µW Typical
Load Capacitance(CL)	15PF
Equivalent Series Resistance(ESR)	60Ω Max
Aging @25°C first year (Max)	±3ppm/year

REMARK: SPECIFICATIONS SUBJECT TO CHANGE WITHOUT PRIOR NOTICE,  
PLEASE CONFIRM WITH OUR SALES ENGINEER.

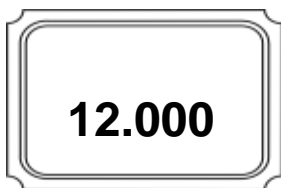
# Crystal Resonators

## SMD Seam 3.2×2.5×0.7mm 7U Series

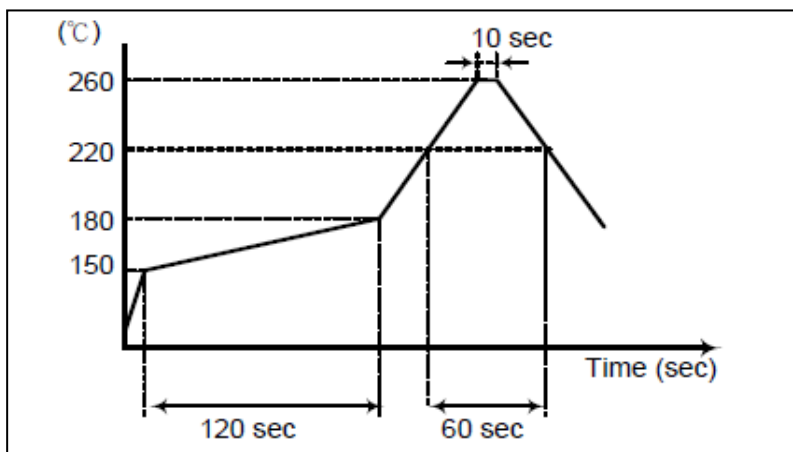
### DIMENSION (Unit: mm)



### MARK



### REFLOW CONDITION



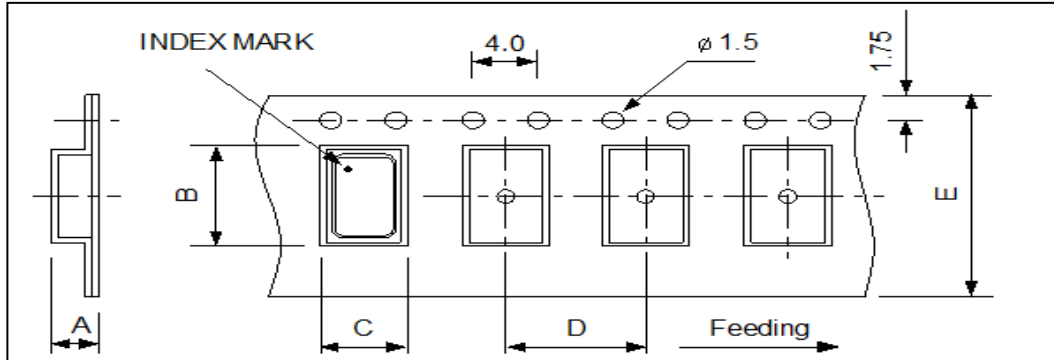
The reflow temperature profile may vary depending on the product model, specifications and frequency range. Refer to the individual product specifications for details

*The design, manufacturing process, and specifications of this device are subject to change without notice.*

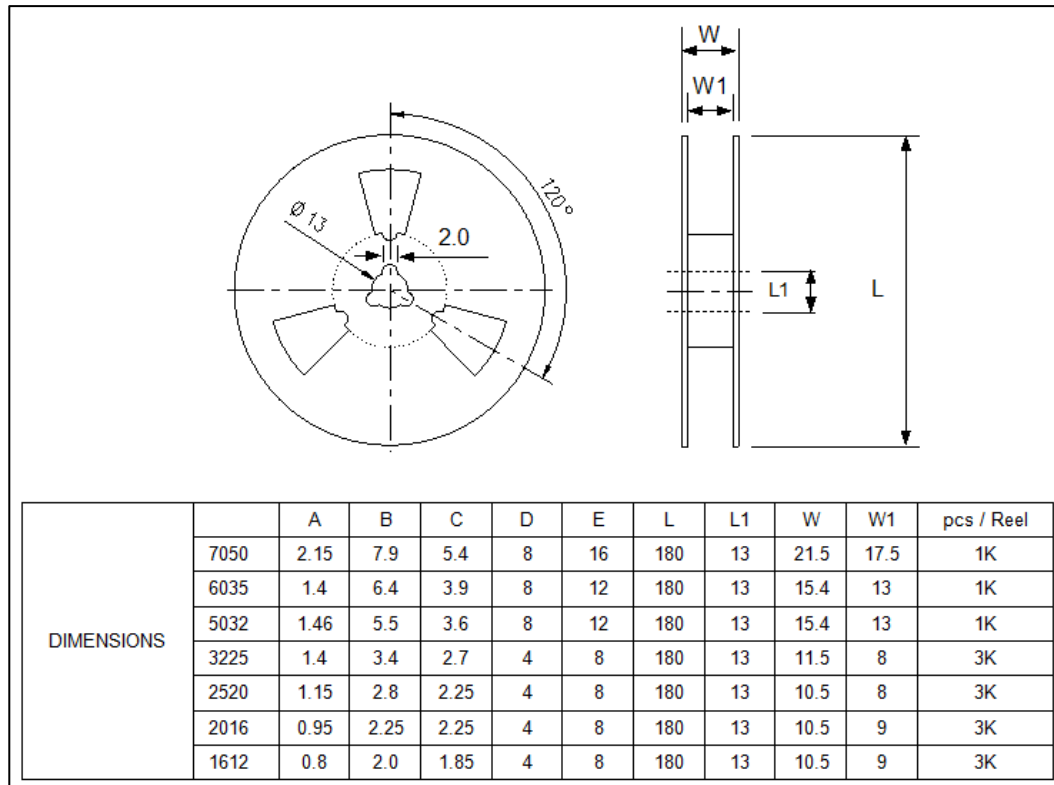
# Crystal Resonators

## SMD Seam 3.2×2.5×0.7mm 7U Series

### CARRIER TYPE



### REEL



The design, manufacturing process, and specifications of this device are subject to change without notice.