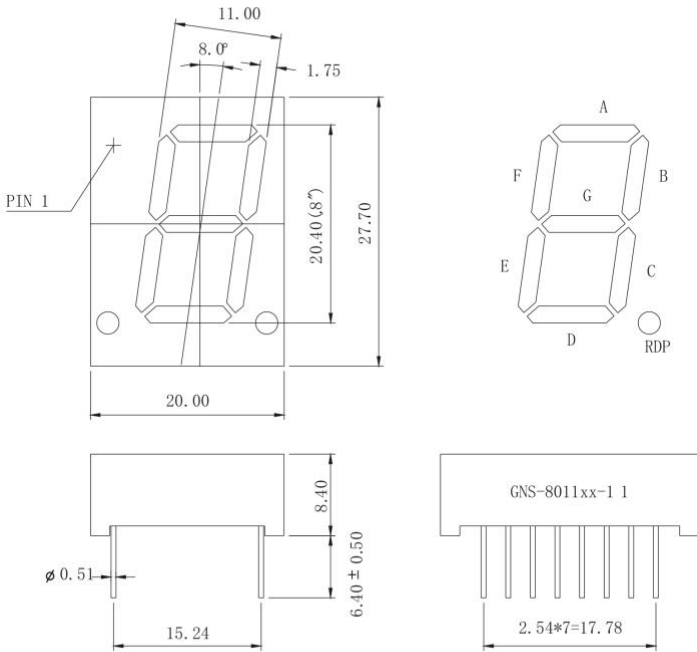
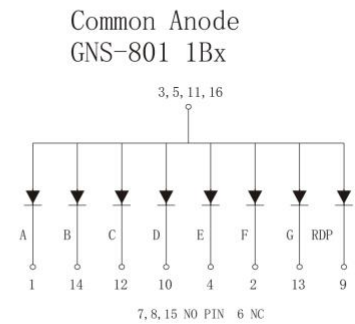
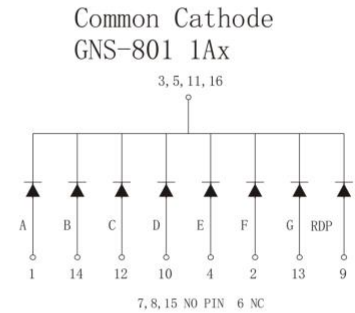


GNS-8011Ax-Bx (SINGLE DIGIT LED DISPLAY)

PACKAGE DIMENSION



INTERNAL CIRCUIT DIAGRAM



Tolerance ± 0.25 mm unless stated

Features:

- *0.8 INCH HIGH CHARACTER.
- *EXCELLENT CHARACTER APPEARANCE.
- *COMMON CATHODE OR COMMON ANODE.
- *I.C. COMPATIBLE.
- *LOW POWER CONSUMPTION.

Part Number	EMITTED COLOR		Common Cathode or Common Anode	Peak Wavelength (nm)	Vf (v) Typ	If (mA)	Intensity Per Segment (mcd)	
							Min.	Typ.
GNS-8011AE	GaAsP/GaP	Hi.effi Red	Common Cathode	635	2.0	20	9	12
GNS-8011AG	GaP	Green		565	2.1	20	8	11
GNS-8011AY	GaAsP/GaP	Yellow		585	2.1	20	9	12
GNS-8011AS	GaAlAs	Super Red		660	1.8	20	10	13
GNS-8011AD	GaAlAs	Ultra Red		660	1.8	20	25	30
GNS-8011AUE	AlGaInP	Ultra Red		625	1.8	20	30	35
GNS-8011AUG	AlGaInP	Ultra Y-Green		572	1.8	20	60	100
GNS-8011AUW	InGaN	white		X0.31/y0.31	3.2	20	200	500
GNS-8011BE	GaAsP/GaP	Hi.effi Red		Common	635	2.0	20	9
GNS-8011BG	Gap	Green	565		2.1	20	8	11
GNS-8011BY	GaAsP/Gap	Yellow	585		2.1	20	9	12
GNS-8011BS	GaAlAs	Super Red	660		1.8	20	10	13

GNS-8011BD	GaAlAs	Super Red	Anode	660	1.8	20	25	30
GNS-8011BUE	AlGaInP	Ultra Red		625	1.8	20	30	35
GNS-8011BUG	AlGaInP	Ultra Y-Green		572	1.8	20	60	100
GNS-8011BUW	InGaN	white		X0.31/y0.31	3.2	20	200	500