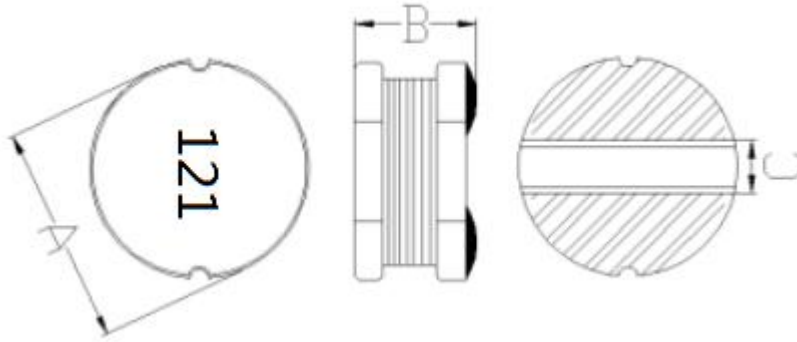


1 Dimension :



Unit: mm

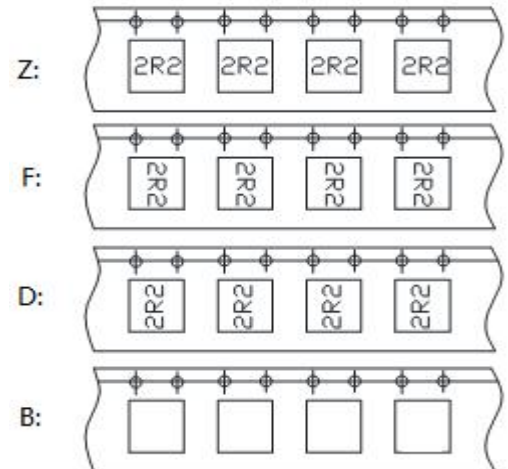
A	7.8MAX
B	5.3MAX
C	2.6Typ

2 Product Spec. Model

KSE - SD 0805 - 100 M L
 ──── ──── ──── ──── ────
 a b f g h

- a: Series name
- b: Product dimensions code
- f: Inductance Value
(1R0:1.0uH; 100: 10uH; 101:100uH)
- g: Inductance Tolerance (K:10% ; M:20% ; N:30%)
- h: Package (L: Tape & Reel, B: Bulk)

▶ Lettering direction



F- direction (typ.)

3 Structure



4 MATERIAL LIST

NO.	PARTS	MATERIAL SPECIFICATIONS	UL FILE NO.	TEMP. CLASS
1	CORE	DR7.5×5.0 B=3.4 F=2.5 OR EQUIVALENT	NA	NA
2	WIRE	G1 P180 OR EQUIVALENT	E258243	180°C
3	SOLDER	Sn99.3-Cu0.7 OR EQUIVALENT	NA	NA

*NA:NOT APPLICABLE.

5 Electrical Characteristics List

Part NO.	Inductance (uH)	Test Freq. (KHz/v)	DCR Max (mΩ)	Isat (A)	WIRE (φ/mm)	TS (Ref)
KSE-SD0805-1R5ML	1.5	100/0.25	16.0	8.00	0.45	6.5
KSE-SD0805-3R3ML	3.3	100/0.25	23.5	6.30	0.45	9.5
KSE-SD0805-4R7ML	4.7	100/0.25	33.8	5.50	0.40	11.5
KSE-SD0805-6R8ML	6.8	100/0.25	40.0	4.50	0.40	13.5
KSE-SD0805-100KL	10	100/ 0.25	56	4.0	0.37	16.5
KSE-SD0805-150KL	15	100/0.25	90.0	2.70	0.32	20.5
KSE-SD0805-220KL	22	100/0.25	117	2.60	0.31	24.5
KSE-SD0805-330KL	33	100/0.25	156	1.90	0.30	30.5
KSE-SD0805-470KL	47	100/0.25	229	1.80	0.27	36.5
KSE-SD0805-680KL	68	100/0.25	300	1.30	0.25	44.5
KSE-SD0805-101KL	100	100/0.25	455	1.20	0.23	52.5
KSE-SD0805-151KL	150	100/0.25	617	1.00	0.22	64.5
KSE-SD0805-221KL	220	100/0.25	960	0.80	0.19	78.5
KSE-SD0805-331KL	330	100/0.25	1390	0.68	0.18	93.5
KSE-SD0805-471KL	470	100/0.25	1960	0.50	0.34	0.16
KSE-SD0805-102KL	1000	100/0.25	4550	0.38	0.13	170.5

Tolerance: N:±30%、M:±20%、K:±10%.

Operating temperature range: -40 °C to +105°C (Including Self-heating)

Storage temperature range: -40 °C to +125°C

Isat%Max (The rated DC current is that which cause at 10%Max inductance reduction from the initial value).