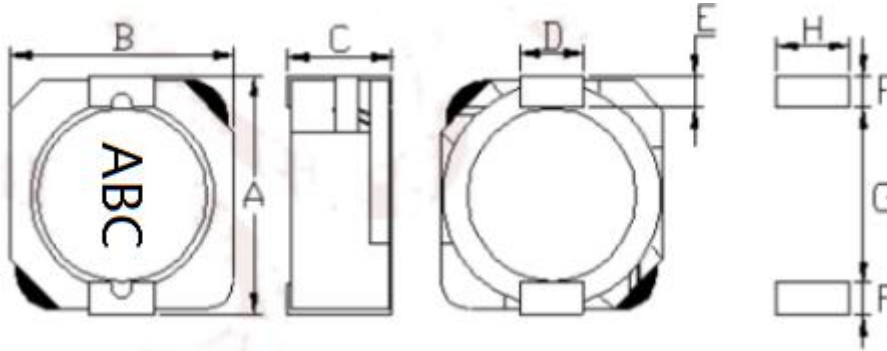


1 Dimension:

Unit: mm



A	10.2±0.3
B	10.0±0.3
C	3.80±0.3
D	3.0Ref.
E	1.2Ref
F	1.6Ref
G	7.3Ref
H	3.2Ref

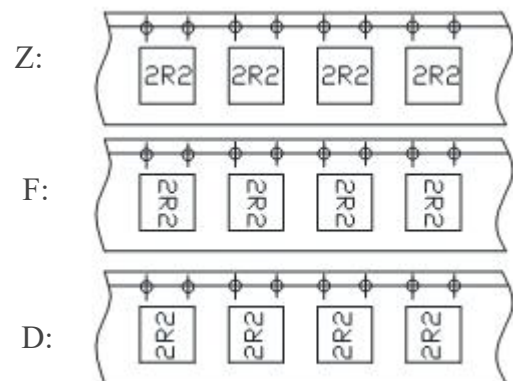
2 Product Spec. Model

KSE - CD 104R NP -100 N C
 a b c e f g

KSE - Brand

- a: Series name
- b: Product dimensions code
- c: Lead-free
- e: Inductance Value
(1R0:1.0uH; 100: 10uH; 101:100uH)
- f: Inductance Tolerance (K:10% ; M:20% ; N:30%)
- g: Package (C:Tape & Reel, B: Bulk)

▶ Lettering direction



F- direction (typ.)

3 MATERIAL LIST

NO.	PARTS	MATERIAL SPECIFICATIONS	UL FILE NO.	TEMP. CLASS
1	CORE	DR9.6*3.7D-3 B4.9 SRI10*8.2*3.2 OR EQUIVALENT	NA	NA
2	WIRE	G1 P180 OR EQUIVALENT	E258243	180°C
3	ADHESIVE	EL4355-01 OR EQUIVALENT	NA	NA
4	BASE	C-TSB104R P1	NA	NA
5	SOLDER	Sn99.3-Cu0.7 OR EQUIVALENT	NA	NA

*NA: NOT APPLICABLE

4 Electrical Characteristics List

Part NO.	Inductance(uH)	Test Freq. (kHz/V)	DCR Max (Ω)	Saturation current Isat (A)	Temperature rise current Irms (A)
KSE-CD104RNP-1R5NC	1.5	100/0.25	0.008	10.00	6.50
KSE-CD104RNP-2R7NC	2.7	100/0.25	0.011	7.50	6.10
KSE-CD104RNP-3R9NC	3.9	100/0.25	0.013	6.00	5.50
KSE-CD104RNP-5R2NC	5.2	100/0.25	0.022	5.50	5.40
KSE-CD104RNP-6R8NC	6.8	100/0.25	0.027	4.80	4.50
KSE-CD104RNP-100NC	10	100/0.25	0.035	4.40	3.80
KSE-CD104RNP-120MC	12	100/0.25	0.046	3.70	3.40
KSE-CD104RNP-150MC	15	100/0.25	0.062	3.30	3.10
KSE-CD104RNP-180MC	18	100/0.25	0.069	3.10	2.60
KSE-CD104RNP-220MC	22	100/0.25	0.073	2.90	2.50
KSE-CD104RNP-270MC	27	100/0.25	0.088	2.60	2.30
KSE-CD104RNP-330MC	33	100/0.25	0.093	2.30	2.20
KSE-CD104RNP-390MC	39	100/0.25	0.127	2.20	2.00
KSE-CD104RNP-470MC	47	100/0.25	0.128	2.10	1.90
KSE-CD104RNP-560MC	56	100/0.25	0.188	1.65	1.50
KSE-CD104RNP-680MC	68	100/0.25	0.213	1.50	1.42
KSE-CD104RNP-820MC	82	100/0.25	0.283	1.45	1.30
KSE-CD104RNP-101MC	100	100/0.25	0.304	1.35	1.25
KSE-CD104RNP-121MC	120	100/0.25	0.375	1.20	1.08
KSE-CD104RNP-151MC	150	100/0.25	0.506	1.15	0.85
KSE-CD104RNP-181MC	180	100/0.25	0.568	1.00	0.75
KSE-CD104RNP-221MC	220	100/0.25	0.756	0.92	0.70
KSE-CD104RNP-271MC	270	100/0.25	0.853	0.84	0.55
KSE-CD104RNP-331MC	330	100/0.25	1.090	0.70	0.52

Tolerance: N:±30%、M:±20%、K:±10%.

Operating temperature range: -40 °C to +105 °C (Including Self-heating)

Storage temperature range: -40 °C to +125 °C

The rated DC current is that which cause at 35%Max inductance reduction from the initial value or inductor surface temperature to rise by $\leq 40^{\circ}\text{C}$, whichever is smaller (Reference ambient temperature 25 °C).