



### PRODUCT IDENTIFICATION

KSE - RL  $\frac{0914}{a}$  -  $\frac{100}{b}$   $\frac{K}{d}$   $\frac{L}{e}$

KSE Brand

a: Series name

b: Dimensions code

c: Inductance Value

(1R0:1.0uH; 100: 10uH; 101:100uH)

d: Inductance Tolerance (J:5%; K:10% ; M:20%)

e: Package (L: Tape & Reel, B: Bulk)

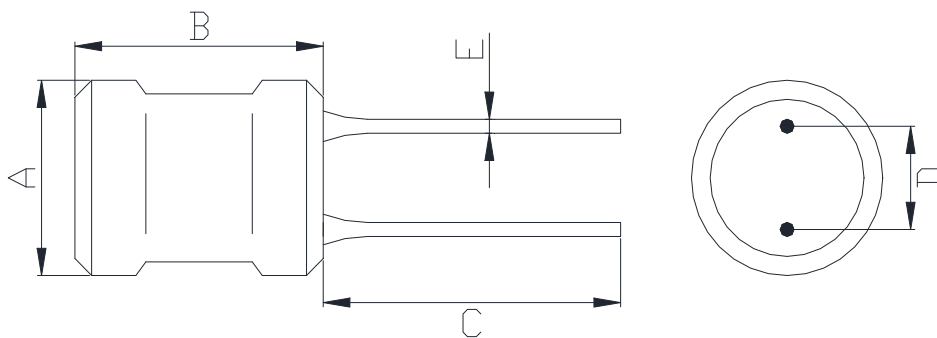
### FEATURES

- ◆ Low cost.
- ◆ Wide range of inductance.
- ◆ Small mounting space required.
- ◆ The other types with low DCR, large current, best for the power supply line.

### APPLICATIONS

- Power supplies, DC-DC converters, TVs, VTRs, computer, computer peripherals, home electric appliance, ect.

### SHAPES AND DIMENSIONS



Series	Dimensions(mm)				
	A Max.	B Max.	C Ref.	D	E Ref.
KSE-RL0406	5.50	8.00	15.0	2.0±0.5	0.50
KSE-RL0608	7.50	10.00	15.0	3.0±0.5	0.60
KSE-RL0914B	10.00	13.00	15.0	5.0±0.5	0.65
KSE-RL0914	11.00	15.00	15.0	5.0±0.5	0.80
KSE-RL1012	12.00	15.00	15.0	5.0±0.5	0.80

Part Number	L ( $\mu$ H)	Test Freq. (KHz/V)	DCR Max. ( $\Omega$ )	IDC Max. (A)
KSE-RL0914-1R0ML	1.0	1.0/0.25	0.011	5.00
KSE-RL0914-1R5ML	1.5	1.0/0.25	0.012	4.80
KSE-RL0914-1R8ML	1.8	1.0/0.25	0.013	4.70
KSE-RL0914-2R2ML	2.2	1.0/0.25	0.015	4.60
KSE-RL0914-3R3ML	3.3	1.0/0.25	0.017	4.50
KSE-RL0914-3R9ML	3.9	1.0/0.25	0.019	4.30
KSE-RL0914-4R7ML	4.7	1.0/0.25	0.020	4.00
KSE-RL0914-5R6ML	5.6	1.0/0.25	0.023	3.80
KSE-RL0914-6R8ML	6.8	1.0/0.25	0.025	3.50
KSE-RL0914-8R2ML	8.2	1.0/0.25	0.027	3.00
KSE-RL0914-100KL	10	1.0/0.25	0.035	2.80
KSE-RL0914-120KL	12	1.0/0.25	0.040	2.70
KSE-RL0914-150KL	15	1.0/0.25	0.045	2.30
KSE-RL0914-180KL	18	1.0/0.25	0.050	2.10
KSE-RL0914-220KL	22	1.0/0.25	0.060	2.00
KSE-RL0914-270KL	27	1.0/0.25	0.070	1.70
KSE-RL0914-330KL	33	1.0/0.25	0.100	1.50
KSE-RL0914-390KL	39	1.0/0.25	0.120	1.40
KSE-RL0914-470KL	47	1.0/0.25	0.125	1.30
KSE-RL0914-560KL	56	1.0/0.25	0.130	1.20
KSE-RL0914-680KL	68	1.0/0.25	0.140	1.00
KSE-RL0914-820KL	82	1.0/0.25	0.150	0.90
KSE-RL0914-101KL	100	1.0/0.25	0.160	0.70
KSE-RL0914-121KL	120	1.0/0.25	0.250	0.68
KSE-RL0914-151KL	150	1.0/0.25	0.280	0.65
KSE-RL0914-181KL	180	1.0/0.25	0.320	0.60
KSE-RL0914-221KL	220	1.0/0.25	0.470	0.50
KSE-RL0914-271KL	270	1.0/0.25	0.530	0.45
KSE-RL0914-331KL	330	1.0/0.25	0.600	0.40
KSE-RL0914-391KL	390	1.0/0.25	0.850	0.35
KSE-RL0914-471KL	470	1.0/0.25	0.950	0.33
KSE-RL0914-561KL	560	1.0/0.25	1.100	0.30
KSE-RL0914-681KL	680	1.0/0.25	1.200	0.25
KSE-RL0914-821KL	820	1.0/0.25	1.300	0.20
KSE-RL0914-102KL	1000	1.0/0.25	1.400	0.18
KSE-RL0914-152KL	1500	1.0/0.25	2.900	0.15

Note:

L: inductance

Tolerance: N:±30% , M:±20% , K:±10%

IDC:DC current at which the inductance drops approximate 10% from its value without current.