
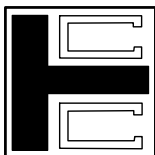


SPECIFICATION FOR APPROVAL

CUSTOMER : COMPONET	DATE : 29-03-2016 <small>DD/MM/YYYY</small>	
CUSTOMER P/N : PLA10AN(S)4330R3R2		
C.T.C. P/N : UU11-610021-B	SAMPLEQ'TY :	
PRODUCT NAME : UU11-433N-023-VER00		
DRAWN BY:	CHECKED BY:	APPROVED BY:
Chen Boyuan	Chen Boyuan	Tao Guowen

APPROVED BY CUSTOMER

	SIGNATURE	DATE
APPROVED		
CONDITIONAL APPROVED		
REJECTED		



C.T.C. Coils Limited

確力新實業有限公司

香港新界大埔汀角路 55 號太平工業中心 2 座 8 字樓 E 室
Flat E, 8/F., Block 2, Tai Ping Ind. Centre, 55 Ting Kok Rd.,
Tai Po, N.T., Hong Kong.
Tel : (852) 26954889 Fax : (852) 26951842
http : //www.ctccoils.com E-mail : enquiry@ctccoils.com


C.T.C. Electronics (Fonggang) Limited

東莞鳳崗確力新電子有限公司

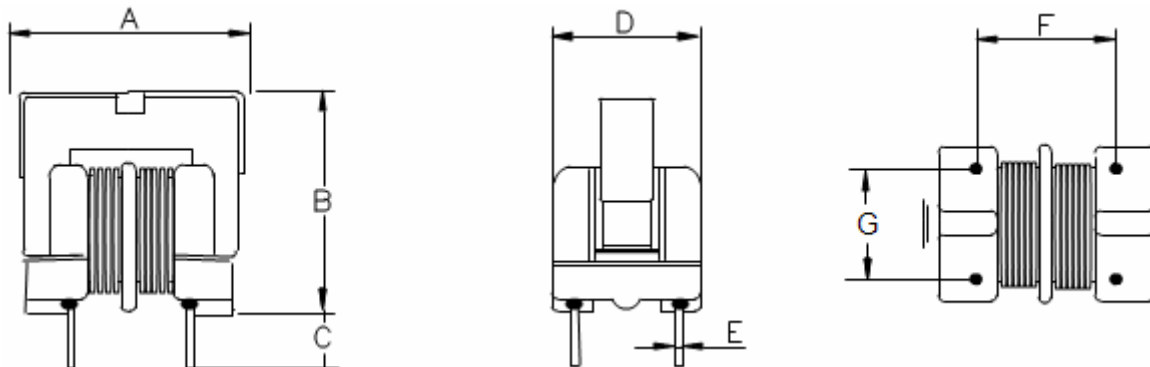
中國廣東省東莞市鳳崗鎮雁田區南山工業城 B-01 棟
No. B-01, Nanshan Ind. District, Yantian Village, Fenggang Town,
Dongguan City, Guangdong Province, China.
Tel : (86) 769-87771591 Fax : (86) 769-87771314

SPECIFICATION FOR: COMPONET

(OS1) REF.: PLA10AN(S)4330R3R2

C.T.C. P/N: UU11-610021-B	DATE: DD/MM/YYYY	29-03-2016	
PRODUCT NAME: UU11-433N-023-VER00			

1.DIMENSION (UNIT : mm):



A: 19.0 Max.	B: 22.0 Max.	C: 4.0 ± 1.0	D: 17.0 Max.	E: 0.70 ± 0.10
F: 13.0 ± 0.5	G: 10.0 ± 0.5	H:	I:	J:

2.ELECTRIC CHARACTERISTICS: (TEST AT : 24°C ± 4°C)

INDUCTANCE: 43.0 mH Min.	TEST FREQ: @1.0KHz/0.25V	DCR: 1.8 Ω Max.
TURNS: 110TS Ref.	IR: 100 MΩ Min.	RDC: 0.3 A
Q: --- Min @ --- MHz	SRF: --- MHz Min.	TEMP: -20°C ~ +80°C

3.TEST EQUIPMENT:

- | | | |
|---|--|--|
| <input type="checkbox"/> HP-4284A (LCZ-METER) | <input type="checkbox"/> CH-1062 (LCZ-METER) | <input checked="" type="checkbox"/> CH-1320(CURRENT METER) |
| <input type="checkbox"/> HP-8712C (ANALYZER) | <input type="checkbox"/> SK-3005 (INSULATION TESTER) | <input type="checkbox"/> MQ-1601 (Q-METER) |
| <input checked="" type="checkbox"/> CH-100 (LCR-METER) | <input type="checkbox"/> CH-852A (HIGH POT TEST METER) | <input type="checkbox"/> HL-2801 (ANALYZER) |
| <input checked="" type="checkbox"/> HK502BC (DCR-METER) | <input type="checkbox"/> | <input type="checkbox"/> |

4. MATERIALS:

CORE: UU10.5 AL > 3500	PIN: ---
WIRE: φ 0.23mm 2UEW-F 155°C	---kg/kpcs
TAPE: --- mm --- (MARK'G: --- COLOR: ---)	---m/kpcs
VARNISH: 凡立水	BOBBIN & BASE: UU10.5
GLUE: ---	N.W: 7.37 kg/kpcs
	PACKING: PLASTIC SACK

5.NOTE:

DRAWN: Chen Boyuan **CHECKED: Chen Boyuan** **APPROVED: Tao Guowen**