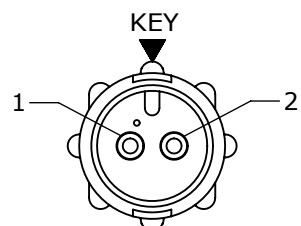


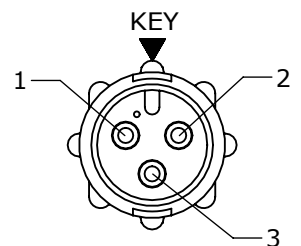
NOTES:

- 1. ALL PARTS TO BE BULK PACKED.

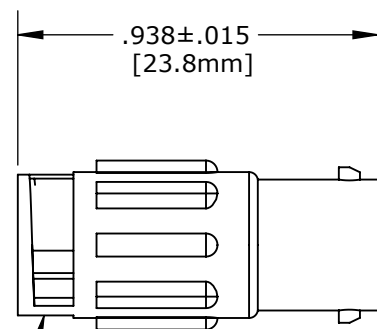
ASS'Y P/N	NO. OF CONTACT	GROMMET FOR CABLE O.D.
18280-2PG-311	2 POS.	.09-.14 [2.3-3.5mm]
18280-2PG-315		.15-.17 [3.8-4.3mm]
18280-2PG-318		.18-.20 [4.6-5.1mm]
18280-3PG-311	3 POS.	.09-.14 [2.3-3.5mm]
18280-3PG-315		.15-.17 [3.8-4.3mm]
18280-3PG-318		.18-.20 [4.6-5.1mm]



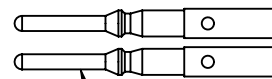
FACE VIEW
18280-2PG-3XX



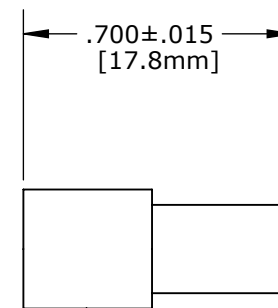
FACE VIEW
18280-3PG-3XX



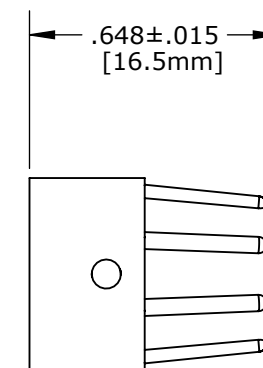
CABLE TO CABLE CONNECTOR, MALE
MAT'L: THERMOPLASTIC, BLACK
NO. OF CONTACT: SEE CHART



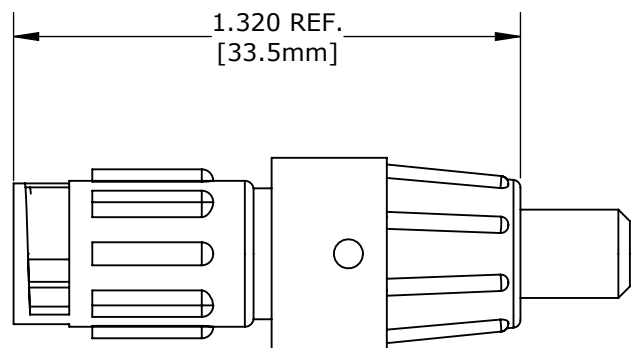
(2-3) #20 PIN CONTACTS
MAT'L: GOLD PLATED,
COPPER ALLOY



GROMMET
MAT'L: RUBBER, BLACK
GROMMET SIZE: SEE CHART



BACKSHELL
MAT'L: THERMOPLASTIC, BLACK



SHOWN ASSEMBLED KIT
FOR CUSTOMER REFERENCE ONLY

DIMENSIONS IN BRACKET [] ARE METRIC.

CUSTOMER APPROVAL

THIS DOCUMENT CONTAINS CONFIDENTIAL INFORMATION PROPRIETARY TO CONXALL CORPORATION. ANY REPRODUCTION, DISCLOSURE, OR USE OF THIS DOCUMENT /INFORMATION IS EXPRESSLY PROHIBITED UNLESS AUTHORIZED IN WRITING BY CONXALL CORPORATION.

APPROVED BY: _____

DATE: _____

RoHS COMPLIANT

A	AN	05-15-13	DRAWING CREATED PER DOR 13-E149SL #18
REV.	INIT.	DATE	DESCRIPTION
	AN	05-15-13	
<small>ALL INFORMATION ILLUSTRATED IS THE PROPERTY OF CONXALL CORPORATION. UNAUTHORIZED DUPLICATION OR DISTRIBUTION OF THIS DOCUMENT IS PROHIBITED.</small>			<p>601 E. WILDWOOD VILLA PARK, IL 60181</p>
<small>ALL UNITS ARE IN FEET, INCHES, FRACTION OF INCHES AND DECIMALS. UNLESS OTHERWISE SPECIFIED TOLERANCES: 3 PLACE DECIMALS ±.010 ANGLES ±1° FRACTIONS ±1/16 - CRITICAL CHARACTERISTIC FLAG PER SPEC. XXXX</small>			
APPROVED BY:		SCALE	SIZE
DATE:		NTS	B
		SHEET	1 OF 1
FILE:	DIRECTORY:	PART NUMBER:	18280-XPG-3XX
18280-XPG-3XX	SLW	REV	A

TITLE: CABLE TO CABLE CONN. KIT
(2-3) #20 PIN CONTACTS, GRIMP
MINI-CON-X
CUSTOMER: STANDARD PRODUCT

Mouser Electronics

Authorized Distributor

Click to View Pricing, Inventory, Delivery & Lifecycle Information:

[Switchcraft:](#)

[18280-3PG-315](#) [W18280-2PG-311](#)