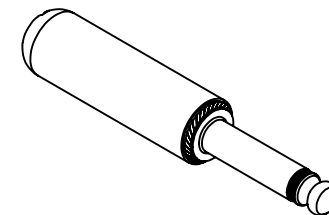
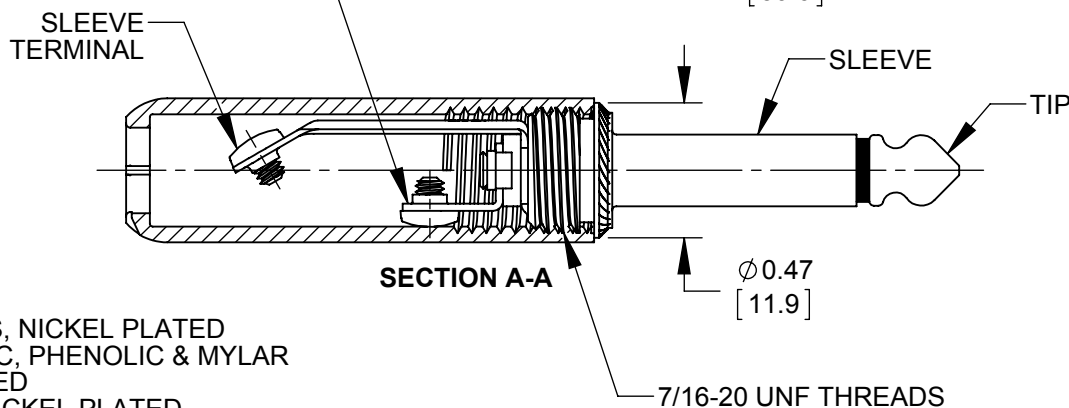
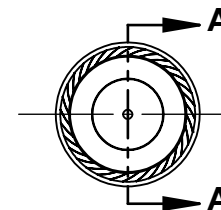
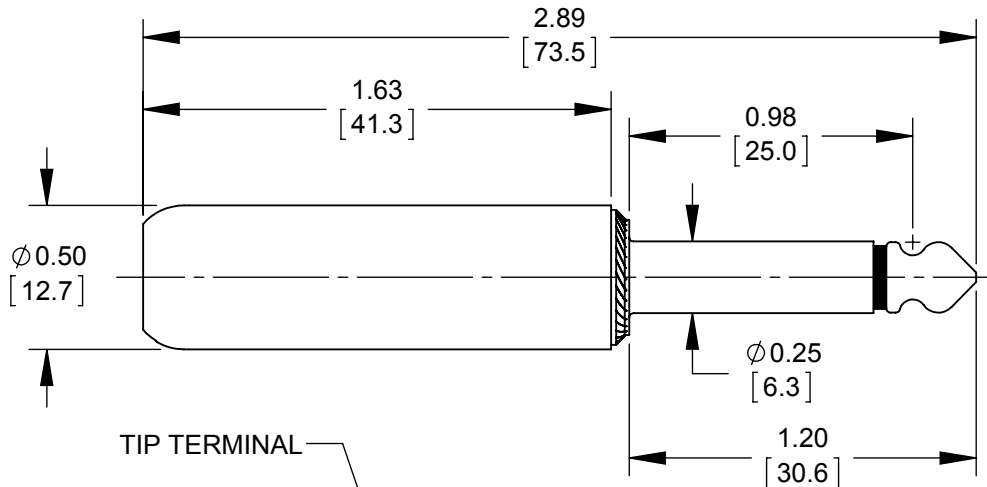


Ø0.297 REF
[7.54]
HANDLE I.D.



NOTES:

- MATERIALS:**
TIP ROD & PLUG BODY - BRASS, NICKEL PLATED
INSULATORS - THERMOPLASTIC, PHENOLIC & MYLAR
TERMINALS - BRASS, TIN PLATED
TERMINAL SCREWS - STEEL, NICKEL PLATED
HANDLE - THERMOPLASTIC, RED
- HANDLE & SCREWS SHIPPED ASSEMBLED.
- THIS PRODUCT IS RoHS COMPLIANT.

CUSTOMER DRAWING

					THIS DRAWING DESCRIBES A DESIGN CONSIDERED PROPRIETARY IN NATURE, DEVELOPED AND MANUFACTURED BY SWITCHCRAFT INC. AND IS RELEASED ON A CONFIDENTIAL BASIS FOR IDENTIFICATION PURPOSES ONLY.					
					UNLESS OTHERWISE SPECIFIED	SIZE	WIDTH	MULT	LBS/M	TEMPER
					1. ALL DIMENSIONS IN INCHES [mm]	FINISH			MATERIAL	
					- TWO PLACE DECIMALS ±0.02 [0.5]	SPEC No.			SPEC No.	
					- THREE PLACE DECIMALS ±0.005 [0.13]	FIRST USED ON		SCALE 1.5:1		
A	27792	10-14-16	TO	TJK	DATE DRAWN	BY	CHKD TO	APVD	Switchcraft®	
					11-14-16	TO	11-14-16	TJK	SHEET 1 OF 1	
REV	ECO NUMBER	DATE	BY	APVD	NAME			PART No.		REV
REVISIONS					2 CONDUCTOR			245X		A
					COMMERCIAL PHONE PLUG, RoHS					

DO NOT SCALE DRAWING

SolidWorks CAD File



Mouser Electronics

Authorized Distributor

Click to View Pricing, Inventory, Delivery & Lifecycle Information:

[Switchcraft:](#)

[245](#) [245X](#)