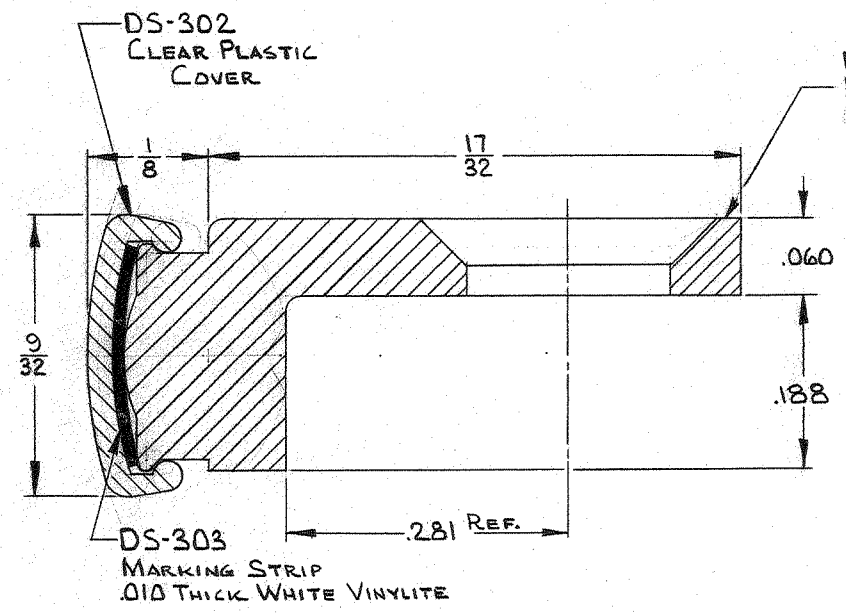
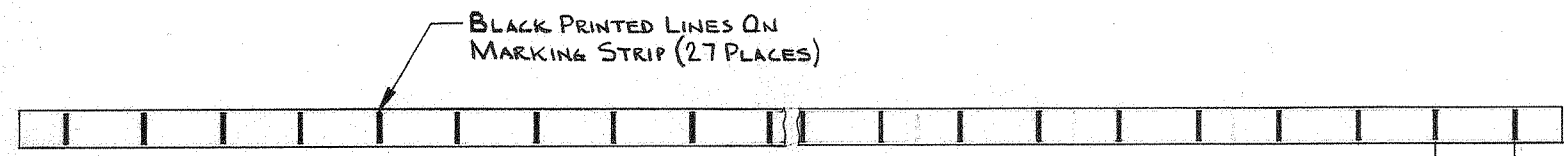
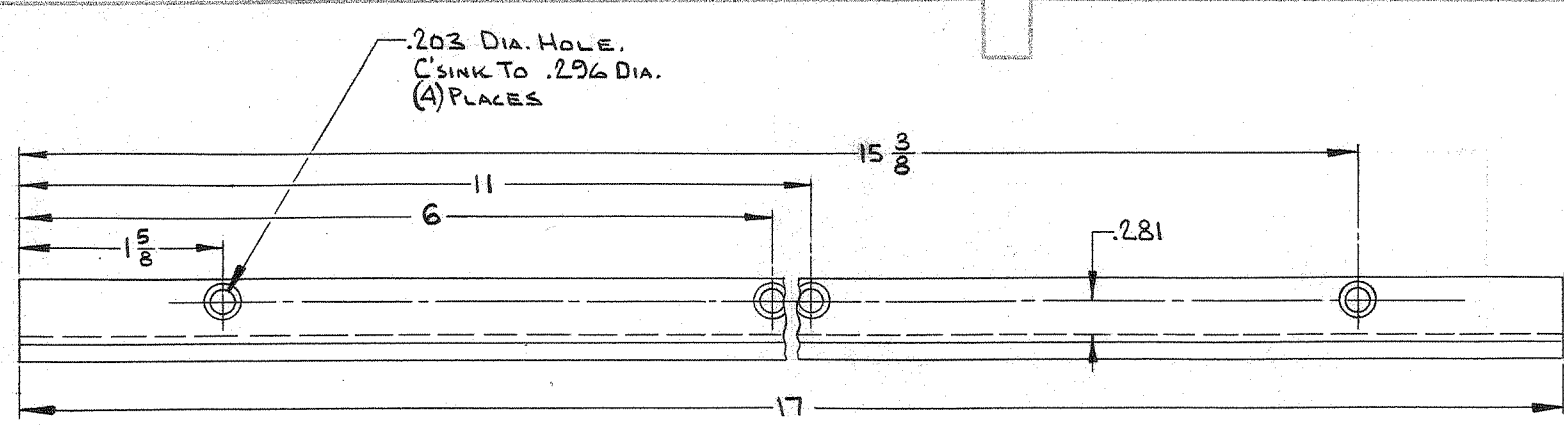


REV	ZONE	SYN	REVISION	BY	DATE
0A			NO. WAS DS-300		



5 8
TYP

NOTE: PART TO BE SHIPPED ASSEMBLED AS SHOWN & INCLUDES 4 #6-32x3/8 LG. SELF-TAPPING SCREWS FOR MOUNTING TO A 1400 OR 2600 SERIES JACK PANEL.

THIS DRAWING DESCRIBES A DESIGN CONSIDERED PROPRIETARY IN NATURE, DEVELOPED AND MANUFACTURED BY SWITCHCRAFT, INC., AND IS RELEASED ON A CONFIDENTIAL BASIS FOR IDENTIFICATION PURPOSE ONLY.		
UNLESS OTHERWISE SPECIFIED:		
1. DECIMAL DIMENSIONS ± .005	DRAWN BY F.G.D.	DATE 11-26-68
2. FRACTIONAL DIMENSIONS ± 1/64	CHECKED BY T.J.	DATE 11-27-68
3. ANGLES ± 1/8°	APPROVED BY R.V.	DATE 1-9-85
4. ALL DIA'S CONCENTRIC WITHIN .005 T.I.N.	SCALE 1:1 & 8:1	PER FINISH SPEC. NO.
5. ALL DIMENSIONS IN INCHES	FIRST USED ON	MATERIAL
6. FOR THREADS USE UNIFIED PLUG AND RING GAGES ONLY.	NAME DESIGNATION STRIP	PER MAT. SPEC. NO.
7. REMOVE ALL BURRS.	PART NO. DS-301	ISSUE 1
8. PART TO BE FABRICATED AS SPECIFIED. MAKE NO DIMENSIONAL ALLOWANCES FOR APPLIED FINISHES, I.E., PLATING, PAINTING, ETC.	SHEET OF	
9. HOLES ON SAME CENTERLINE MUST BE ALIGNED WITHIN ± .002	ASSEMBLY	
DO NOT SCALE DRAWING		

Mouser Electronics

Authorized Distributor

Click to View Pricing, Inventory, Delivery & Lifecycle Information:

[Switchcraft:](#)

[DS301X](#)