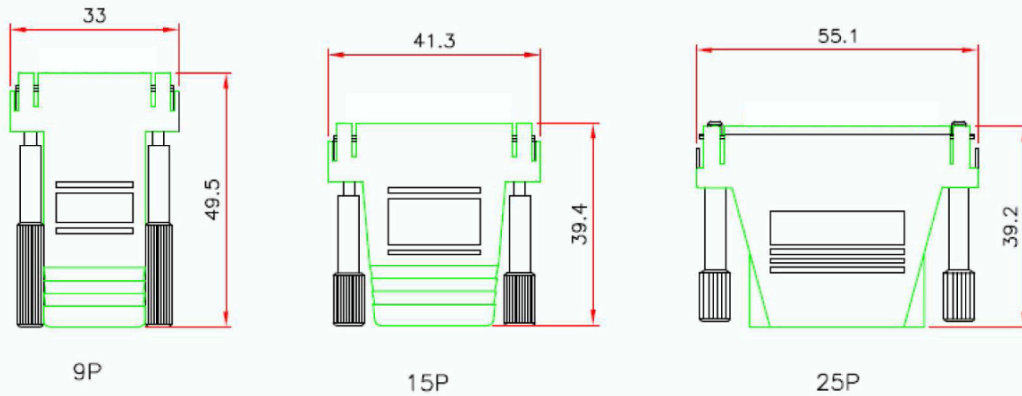


No.	Changes and/or Note No.	Date	Intr.	No.	Changes and/or Note No.	Date	Intr.



**SPECIFICATION**

**MATERIAL**

Insulator: P.B.T. & Glass fill reinforced UL94V-0  
 Contacts: Brass(standard), Phosphor Bronze(choose)  
 Shell: Steel  
 Rivet, Board: Brass

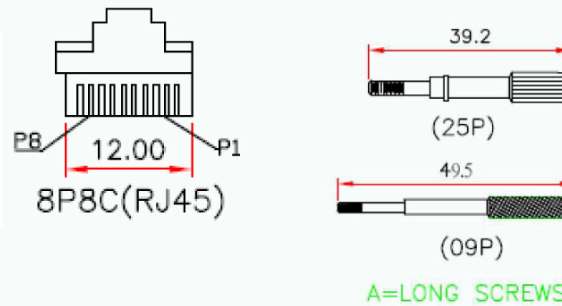
**CONTACT PLATING**

Underplate: 50um Nickel  
 Contact area: 1 um ~30um Selective Gold  
 Solder tails area: 100um Tin/Lead

**ELECTRICAL**

Operation voltage 250 VAC max.  
 Current rating: 3 Amps max.  
 Contact resistance: 15 m Ohms max.  
 Insulation resistance: 3000 M Ohms min @ 500 VDC  
 Dielectric withstanding voltage: 1000 VAC/ minute  
 Operating temperature: -55°C to +105°C

Size	Part number	Description
9-ways	2112-0101-01	DA09-SMJ8-K-RC
15-ways	2112-0101-02	DA15-SMJ8-K-RC
25-ways	2112-0101-03	DA25-SMJ8-K-RC



**\*\*ROHS\*\***

DATE 19/11/2012	DRAWN	SCALE	MATERIAL TYPE
	APPROVED		REPLACES
FEMALE ADAPTER TO RJ45, BLACK			DRAWING No 2112-0101-0X