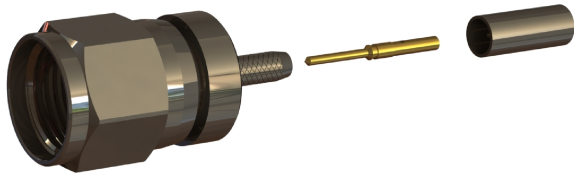
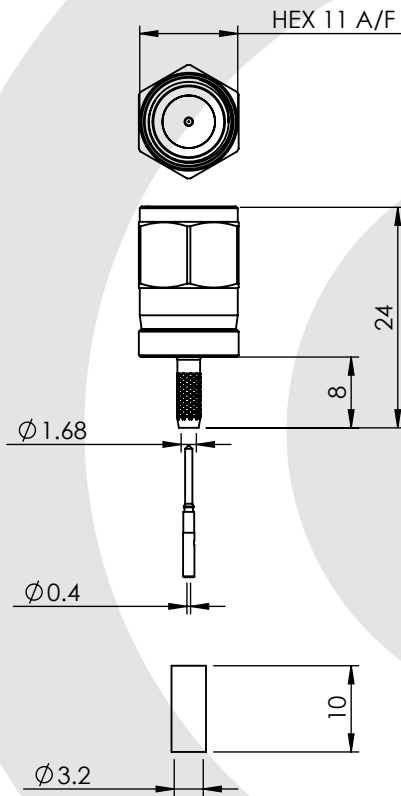


## F TYPE STRAIGHT CRIMP / CRIMP PLUG 15-005-B36-AB



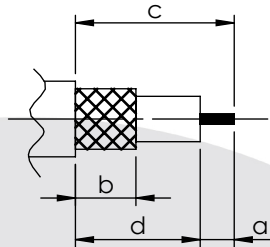
images for illustration purposes only



### Suitable for Cables:

(AB) RG179, RG187, Belden 179DT

### Stripping Dimensions



a = 4.0 mm  
b = 8.0 mm  
c = 14.0 mm  
d = 10.0 mm

\* CUT FOIL TO DIM. "b"

### Assembly Procedure: AP023F

### Tooling

Centre Contact: SQ 0.95 A/F Tool No: HTS-43

Crimp Sleeve: Hex 3.25mm A/F Tool No: HTS-43

Alignment Tool: Extraction:

### Environmental Specification

Operating Temp: -55 to +155 Deg C.

IP Rating (Mated): IP 64

### Electrical Specification Mechanical Specification

Impedance: 75 Ohm

Contact Retention: 10 N min

Frequency: 0-3 GHz

Cable Retention: 150 N min

Dielectric W/V: 1500 Veff

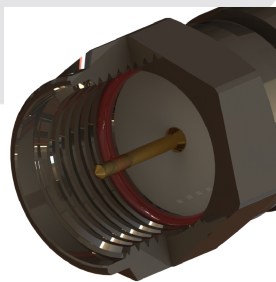
Mating cycles: 250

Insulation res: 5000 M-Ohm

Weight: 7.07 g

### Connector Interface

image for illustration purposes only



5	COUPLING NUT	BRASS	NICKEL
4	CRIMP SLEEVE	BRASS	NICKEL
3	INSULATOR	PTFE	N/A
2	CENTRE CONTACT	BRASS	GOLD
1	BODY	BRASS	NICKEL
ITEM	DESCRIPTION	MATERIAL	PLATING

<b>A4</b>	SHEET 1 OF 1	DIMENSIONS ARE IN MILLIMETRES		
REVISION :	B00	NAME	SIGNATURE	DATE
ISSUE :	1	DRAWN	IG	20/06/2013
		CHK'D	GE	21/06/2013
		APPV'D		
<p>6-8 COLNE ROAD, TWICKENHAM, MIDDLESEX. TW1 4JR</p> <p>THE INFORMATION IS GIVEN AS AN INDICATION ONLY AND IS SUBJECT TO CHANGE WITHOUT NOTICE. IN THE CONTINUAL GOAL TO IMPROVE OUR PRODUCTS, WE RESERVE THE RIGHT TO MAKE ANY MODIFICATIONS NECESSARY WITHOUT PRIOR NOTICE.</p>				