

Product Information



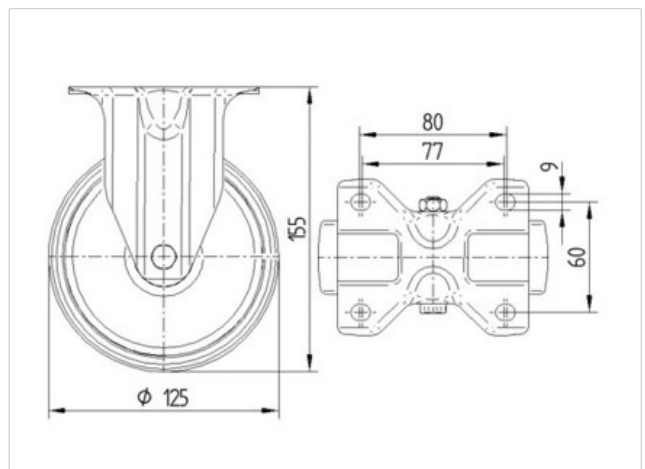
3478UOR125P62

EAN 4031582030457

Fixed castor, Fork made of pressed steel, bright zinc plated, blue passivated, wheel axle with nut, plate fitting.

Wheel centre made of Polyamide, roller bearing

Technical Data	
Wheel diameter	125 mm
Width of Tread	40 mm
Size of Plate	103 x 85 mm
Plate hole centres	80/77 x 60 mm
Plate hole	9 mm
Overall height	155 mm
Temperature	- 40 / + 80 °C
Standard	EN 12532
Weight	0.635 kg
Hardness of tread	D 75 Shore
Load capacity	250 kg
Load capacity (static)	500 kg



Roll performance	+	+	+	+	+
Movement noise	+	+	+	+	+
Attrition	+	+	+	+	+
Corrosion resistance	+	+	+	+	+



3478UOR125P62

EAN 4031582030457

