

SN74AXCH2T45 2-Bit Bus Transceiver with Configurable Level-Shifting and Bus-Hold Inputs

1 Features

- Fully configurable dual-rail design allows each port to operate with a power supply range from 0.65 V to 3.6 V
- Operating temperature from -40°C to $+125^{\circ}\text{C}$
- Glitch-free power supply sequencing
- Up to 380 Mbps support when translating from 1.8 V to 3.3 V
- V_{CC} isolation feature
 - If either V_{CC} input is below 100 mV, all I/O outputs are disabled and become high impedance
- I_{off} supports partial-power-down mode operation
- Compatible with AVC family level shifters
- Latch-up performance exceeds 100 mA per JESD 78, Class II
- ESD protection exceeds JESD 22
 - 8000-V human-body model (HBM)
 - 1000-V charged-device model (CDM)

2 Applications

- Enterprise and communications
- Industrial
- Personal electronics
- Wireless infrastructure
- Building automation
- Point of sale

3 Description

The SN74AXCH2T45 is a two-bit non-inverting bus transceiver that uses two individually configurable power-supply rails. The device is operational with both V_{CCA} and V_{CCB} supplies as low as 0.65 V. The A port is designed to track V_{CCA} , which accepts any supply voltage from 0.65 V to 3.6 V. The B port is designed to track V_{CCB} , which also accepts any supply voltage from 0.65 V to 3.6 V. Additionally the SN74AXCH2T45 is compatible with a single-supply system.

The SN74AXCH2T45 device is designed for asynchronous communication between data buses. The device transmits data from the A bus to the B bus or from the B bus to the A bus, depending on the logic level of the direction-control input (DIR). The SN74AXCH2T45 device is designed so the control pin (DIR) is referenced to V_{CCA} .

Active bus-hold circuitry holds unused or undriven inputs at a valid logic state. Use of pullup or pulldown resistors with the bus-hold circuitry is not recommended. If a supply is present for V_{CCA} or V_{CCB} , the bus-hold circuitry always remains active on the A or B inputs respectively, independent of the state of the direction control pin.

This device is fully specified for partial-power-down applications using the I_{off} current. The I_{off} protection circuitry ensures that no excessive current is drawn from or to an input, output, or combined I/O that is biased to a specific voltage while the device is powered down.

The V_{CC} isolation feature ensures that if either V_{CCA} or V_{CCB} is less than 100 mV, both I/O ports enter a high-impedance state by disabling their outputs.

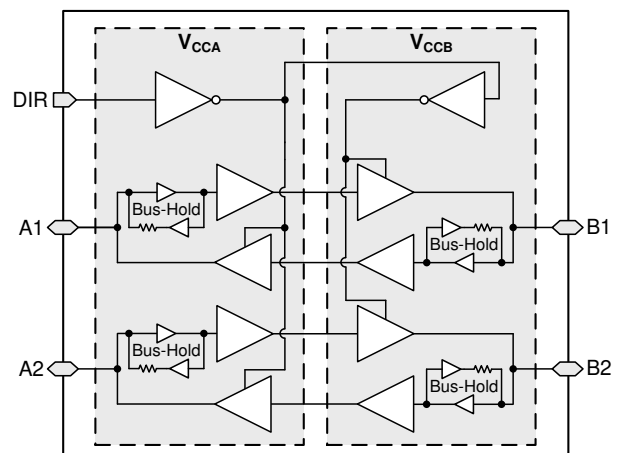
Glitch-free power supply sequencing allows either supply rail to be powered on or off in any order while providing robust power sequencing performance.

Device Information⁽¹⁾

PART NUMBER	PACKAGE	BODY SIZE (NOM)
SN74AXCH2T45DCU	VSSOP (8)	2.30 mm x 2.00 mm
SN74AXCH2T45DTM	X2SON (8)	1.35 mm x 0.80 mm

(1) For all available packages, see the orderable addendum at the end of the data sheet.

Logic Diagram (Positive Logic)



Note: Bus-hold circuits are only present for data inputs, not control inputs



Table of Contents

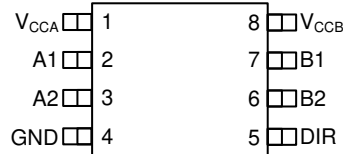
1 Features	1	8 Detailed Description	19
2 Applications	1	8.1 Overview	19
3 Description	1	8.2 Functional Block Diagram	19
4 Revision History	2	8.3 Feature Description	19
5 Pin Configuration and Functions	3	8.4 Bus-Hold Data Inputs	21
6 Specifications	4	8.5 Device Functional Modes	21
6.1 Absolute Maximum Ratings	4	9 Application and Implementation	22
6.2 ESD Ratings	4	9.1 Application Information	22
6.3 Recommended Operating Conditions	5	9.2 Typical Application	22
6.4 Thermal Information	5	10 Power Supply Recommendations	24
6.5 Electrical Characteristics	6	11 Layout	24
6.6 Switching Characteristics, $V_{CCA} = 0.7 \pm 0.05$ V	8	11.1 Layout Guidelines	24
6.7 Switching Characteristics, $V_{CCA} = 0.8 \pm 0.045$ V	9	11.2 Layout Example	24
6.8 Switching Characteristics, $V_{CCA} = 0.9 \pm 0.04$ V	10	12 Device and Documentation Support	26
6.9 Switching Characteristics, $V_{CCA} = 1.2 \pm 0.1$ V	11	12.1 Related Documentation	26
6.10 Switching Characteristics, $V_{CCA} = 1.5 \pm 0.1$ V	12	12.2 Receiving Notification of Documentation Updates	26
6.11 Switching Characteristics, $V_{CCA} = 1.8 \pm 0.15$ V	13	12.3 Support Resources	26
6.12 Switching Characteristics, $V_{CCA} = 2.5 \pm 0.2$ V	14	12.4 Trademarks	26
6.13 Switching Characteristics, $V_{CCA} = 3.3 \pm 0.3$ V	15	12.5 Electrostatic Discharge Caution	26
6.14 Operating Characteristics: $T_A = 25^\circ\text{C}$	16	12.6 Glossary	26
7 Parameter Measurement Information	17	13 Mechanical, Packaging, and Orderable Information	27
7.1 Load Circuit and Voltage Waveforms	17		

4 Revision History

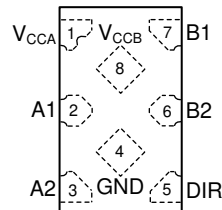
DATE	REVISION	NOTES
February 2020	*	Advance Information release.

5 Pin Configuration and Functions

**DCU Package
8-Pin VSSOP
Top View**



**DTM Package
8-Pin X2SON
Transparent Top View**



Pin Functions

PIN	NO.	DESCRIPTION
NAME	DCU, DTM	
V _{CCA}	1	A-port power supply voltage. $0.65\text{ V} \leq V_{CCA} \leq 3.6\text{ V}$
A1	2	Input/output A1. Referenced to V _{CCA} .
A2	3	Input/output A2. Referenced to V _{CCA} .
GND	4	Ground
DIR	5	Direction Pin for both ports. Referenced to V _{CCA}
B2	6	Input/output B2. Referenced to V _{CCB} .
B1	7	Input/output B1. Referenced to V _{CCB} .
V _{CCB}	8	B-port power supply voltage. $0.65\text{ V} \leq V_{CCB} \leq 3.6\text{ V}$

6 Specifications

6.1 Absolute Maximum Ratings

 over operating free-air temperature range (unless otherwise noted)⁽¹⁾

			MIN	MAX	UNIT
V _{CCA}	Supply voltage A		-0.5	4.2	V
V _{CCB}	Supply voltage B		-0.5	4.2	V
V _I	Input Voltage ⁽²⁾	I/O Ports (A Port)	-0.5	4.2	V
		I/O Ports (B Port)	-0.5	4.2	
		Control Inputs	-0.5	4.2	
V _O	Voltage applied to any output in the high-impedance or power-off state ⁽²⁾	A Port	-0.5	4.2	V
		B Port	-0.5	4.2	
V _O	Voltage applied to any output in the high or low state ⁽²⁾⁽³⁾	A Port	-0.5	V _{CCA} + 0.2	V
		B Port	-0.5	V _{CCB} + 0.2	
I _{IK}	Input clamp current	V _I < 0	-50		mA
I _{OK}	Output clamp current	V _O < 0	-50		mA
I _O	Continuous output current		-50	50	mA
	Continuous current through V _{CC} or GND		-100	100	
T _j	Junction Temperature			150	°C
T _{stg}	Storage temperature		-65	150	°C

- (1) Stresses beyond those listed under *Absolute Maximum Ratings* may cause permanent damage to the device. These are stress ratings only, which do not imply functional operation of the device at these or any other conditions beyond those indicated under *Recommended Operating Conditions*. Exposure to absolute-maximum-rated conditions for extended periods may affect device reliability.
- (2) The input voltage and output negative-voltage ratings may be exceeded if the input and output current ratings are observed.
- (3) The output positive-voltage rating may be exceeded up to 4.2 V maximum if the output current rating is observed.

6.2 ESD Ratings

			VALUE	UNIT
V _(ESD)	Electrostatic discharge	Human body model (HBM), per ANSI/ESDA/JEDEC JS-001 ⁽¹⁾	±8000	V
		Charged device model (CDM), per JEDEC specification JESD22-C101 ⁽²⁾	±1000	

- (1) JEDEC document JEP155 states that 500-V HBM allows safe manufacturing with a standard ESD control process.
- (2) JEDEC document JEP157 states that 250-V CDM allows safe manufacturing with a standard ESD control process.

6.3 Recommended Operating Conditions

over operating free-air temperature range (unless otherwise noted)⁽¹⁾⁽²⁾⁽³⁾

				MIN	MAX	UNIT
V _{CCA}	Supply voltage A			0.65	3.6	V
V _{CCB}	Supply voltage B			0.65	3.6	V
V _{IH}	High-level input voltage	Data Inputs	V _{CCI} = 0.65 V - 0.75 V	V _{CCI} × 0.70		V
			V _{CCI} = 0.76 V - 1 V	V _{CCI} × 0.70		
			V _{CCI} = 1.1 V - 1.95 V	V _{CCI} × 0.65		
			V _{CCI} = 2.3 V - 2.7 V	1.6		
			V _{CCI} = 3 V - 3.6 V	2		
		Control Input (DIR), Referenced to V _{CCA}	V _{CCA} = 0.65 V - 0.75 V	V _{CCA} × 0.70		
			V _{CCA} = 0.76 V - 1 V	V _{CCA} × 0.70		
			V _{CCA} = 1.1 V - 1.95 V	V _{CCA} × 0.65		
			V _{CCA} = 2.3 V - 2.7 V	1.6		
			V _{CCA} = 3 V - 3.6 V	2		
V _{IL}	Low-level input voltage	Data Inputs	V _{CCI} = 0.65 V - 0.75 V	V _{CCI} × 0.30		V
			V _{CCI} = 0.76 V - 1 V	V _{CCI} × 0.30		
			V _{CCI} = 1.1 V - 1.95 V	V _{CCI} × 0.35		
			V _{CCI} = 2.3 V - 2.7 V	0.7		
			V _{CCI} = 3 V - 3.6 V	0.8		
		Control Input (DIR), Referenced to V _{CCA}	V _{CCA} = 0.65 V - 0.75 V	V _{CCA} × 0.30		
			V _{CCA} = 0.76 V - 1 V	V _{CCA} × 0.30		
			V _{CCA} = 1.1 V - 1.95 V	V _{CCA} × 0.35		
			V _{CCA} = 2.3 V - 2.7 V	0.7		
			V _{CCA} = 3 V - 3.6 V	0.8		
V _I	Input voltage ⁽³⁾			0	3.6	V
V _O	Output voltage	Active State	0	V _{CCO}	V	
		Tri-State	0	3.6	V	
Δt/ΔV ⁽²⁾	Input transition rise and fall time				10	ns/V
T _A	Operating free-air temperature			-40	125	°C

(1) V_{CCI} is the V_{CC} associated with the input port.

(2) V_{CCO} is the V_{CC} associated with the output port.

(3) All unused inputs of the device must be held at V_{CC} or GND to ensure proper device operation. Refer to the TI application report, [Implications of Slow or Floating CMOS Inputs](#), SCBA004.

6.4 Thermal Information

THERMAL METRIC		SN74AXCH2T45		UNIT
		DCU (VSSOP)	DTM (X2SON)	
		8 PINS	8 PINS	
R _{θJA}	Junction-to-ambient thermal resistance	242.9	225.9	°C/W
R _{θJC(top)}	Junction-to-case (top) thermal resistance	96.2	131.6	°C/W
R _{θJB}	Junction-to-board thermal resistance	153.3	141.3	°C/W
Y _{JT}	Junction-to-top characterization parameter	38.2	12.7	°C/W
Y _{JB}	Junction-to-board characterization parameter	152.5	140.9	°C/W

6.5 Electrical Characteristics

 over operating free-air temperature range (unless otherwise noted) ⁽¹⁾ ⁽²⁾

PARAMETER	TEST CONDITIONS	V_{CCA}	V_{CCB}	Operating free-air temperature (T_A)						UNIT		
				-40°C to 85°C			-40°C to 125°C					
				MIN	TYP	MAX	MIN	TYP	MAX			
V_{OH}	High-level output voltage	$V_I = V_{IH}$	$I_{OH} = -100 \mu A$	0.7 V - 3.6 V	0.7 V - 3.6 V	$V_{CCO} - 0.1$			$V_{CCO} - 0.1$			V
				0.65 V	0.65 V	0.55			0.55			
				0.76 V	0.76 V	0.58			0.58			
				0.85 V	0.85 V	0.65			0.65			
				1.1 V	1.1 V	0.85			0.85			
				1.4 V	1.4 V	1.05			1.05			
				1.65 V	1.65 V	1.2			1.2			
				2.3 V	2.3 V	1.75			1.75			
V_{OL}	Low-level output voltage	$V_I = V_{IL}$	$I_{OL} = 100 \mu A$	0.7 V - 3.6 V	0.7 V - 3.6 V	0.1			0.1			V
				0.65 V	0.65 V	0.1			0.1			
				0.76 V	0.76 V	0.18			0.18			
				0.85 V	0.85 V	0.2			0.2			
				1.1 V	1.1 V	0.25			0.25			
				1.4 V	1.4 V	0.35			0.35			
				1.65 V	1.65 V	0.45			0.45			
				2.3 V	2.3 V	0.55			0.55			
I_{BHL}	Bus-hold low sustaining current (Port A or Port B)	$V_I = 0.20 V$	$V_I = 0.20 V$	0.65 V	0.65 V	4			4			μA
				0.76 V	0.76 V	8			7			
				0.85 V	0.85 V	10			10			
				1.1 V	1.1 V	20			20			
				1.4 V	1.4 V	40			30			
				1.65 V	1.65 V	55			45			
				2.3 V	2.3 V	90			80			
				3 V	3 V	145			135			
I_{BHH}	Bus-hold high sustaining current (Port A or Port B)	$V_I = 0.20 V$	$V_I = 0.20 V$	0.65 V	0.65 V	-4			-4			μA
				0.76 V	0.76 V	-8			-7			
				0.85 V	0.85 V	-10			-10			
				1.1 V	1.1 V	-20			-20			
				1.4 V	1.4 V	-40			-30			
				1.65 V	1.65 V	-55			-45			
				2.3 V	2.3 V	-90			-80			
				3 V	3 V	-145			-135			
I_{BHLO}	Bus-hold low overdrive current (Port A or Port B)	$V_I = 0$ to V_{CC}	$V_I = 0$ to V_{CC}	0.75 V	0.75 V	40			40			μA
				0.84 V	0.84 V	50			50			
				0.95 V	0.95 V	65			65			
				1.3 V	1.3 V	105			105			
				1.6 V	1.6 V	150			150			
				1.95 V	1.95 V	250			250			
				2.7 V	2.7 V	410			410			
				3.6 V	3.6 V	600			600			

 (1) V_{CCI} is the V_{CC} associated with the input port.

 (2) V_{CCO} is the V_{CC} associated with the output port.

Electrical Characteristics (continued)

over operating free-air temperature range (unless otherwise noted) ^{(1) (2)}

PARAMETER	TEST CONDITIONS	V_{CCA}	V_{CCB}	Operating free-air temperature (T_A)						UNIT		
				-40°C to 85°C			-40°C to 125°C					
				MIN	TYP	MAX	MIN	TYP	MAX			
I_{BHHO}	Bus-hold high overdrive current (Port A or Port B)	$V_I = 0$ to VCC	0.75 V	0.75 V	-40			-40			μ A	
			0.84 V	0.84 V	-50			-50			μ A	
			0.95 V	0.95 V	-65			-65			μ A	
			1.3 V	1.3 V	-105			-105			μ A	
			1.6 V	1.6 V	-150			-150			μ A	
			1.95 V	1.95 V	-250			-250			μ A	
			2.7 V	2.7 V	-410			-410			μ A	
			3.6 V	3.6 V	-600			-600			μ A	
I_i	Input leakage current	Control input (DIR): $V_I = V_{CCA}$ or GND	0.65 V - 3.6 V	0.65 V - 3.6 V	-0.5		0.5		-1	1	μ A	
		Data Inputs (Ax, Bx), $V_I = V_{CC1}$ or GND	0.65 V - 3.6 V	0.65 V - 3.6 V	-4		4		-8	8	μ A	
I_{off}	Partial power down current	A Port: V_I or $V_O = 0$ V - 3.6 V	0 V	0 V - 3.6 V	-8		8		-12	12	μ A	
		B Port: V_I or $V_O = 0$ V - 3.6 V	0 V - 3.6 V	0 V	-8		8		-12	12		
I_{CCA}	V_{CCA} supply current	$V_I = V_{CC1}$ or GND	$I_O = 0$	0.65 V - 3.6 V	0.65 V - 3.6 V			8		14		μ A
				0 V	3.6 V	-2		-12				
				3.6 V	0 V			4		8		
I_{CCB}	V_{CCB} supply current	$V_I = V_{CC1}$ or GND	$I_O = 0$	0.65 V - 3.6 V	0.65 V - 3.6 V			8		14		μ A
				0 V	3.6 V			4		8		
				3.6 V	0 V	-2		-12				
$I_{CCA} + I_{CCB}$	Combined supply current	$V_I = V_{CC1}$ or GND	$I_O = 0$	0.65 V - 3.6 V	0.65 V - 3.6 V			16		23		μ A
C_i	Control Input (DIR) Capacitance	$V_I = 3.3$ V or GND		3.3 V	3.3 V	3.1		3.1				pF
C_{io}	Data I/O Capacitance	$V_O = 1.65$ V DC +1 MHz -16 dBm sine wave		3.3 V	3.3 V	7.2		7.2				pF

6.6 Switching Characteristics, $V_{CCA} = 0.7 \pm 0.05 \text{ V}$

See [Figure 1](#) and [Table 1](#) for test circuit and loading. See [Figure 2](#), [Figure 3](#), and [Figure 4](#) for measurement waveforms.

PARAMETER	FROM	TO	Test Conditions	B-Port Supply Voltage (V_{CCB})																UNIT	
				0.7 ± 0.05 V		0.8 ± 0.04 V		0.9 ± 0.045 V		1.2 ± 0.1 V		1.5 ± 0.1 V		1.8 ± 0.15 V		2.5 ± 0.2 V		3.3 ± 0.3 V			
				MIN	MAX	MIN	MAX	MIN	MAX	MIN	MAX	MIN	MAX	MIN	MAX	MIN	MAX	MIN	MAX		
t_{pd}	Propagation delay	A	B	-40°C to 85°C	0.5	177	0.5	117	0.5	86	0.5	51	0.5	51	0.5	57	0.5	72	0.5	108	ns
				-40°C to 125°C	0.5	177	0.5	117	0.5	86	0.5	51	0.5	51	0.5	57	0.5	72	0.5	108	
		B	A	-40°C to 85°C	0.5	177	0.5	155	0.5	129	0.5	89	0.5	85	0.5	83	0.5	82	0.5	82	
				-40°C to 125°C	0.5	177	0.5	155	0.5	129	0.5	89	0.5	85	0.5	83	0.5	82	0.5	82	
t_{dis}	Disable time	DIR	A	-40°C to 85°C	0.5	147	0.5	147	0.5	147	0.5	147	0.5	147	0.5	147	0.5	147	0.5	147	ns
				-40°C to 125°C	0.5	147	0.5	147	0.5	147	0.5	147	0.5	147	0.5	147	0.5	147	0.5	147	
		DIR	B	-40°C to 85°C	0.5	151	0.5	110	0.5	87	0.5	41	0.5	38	0.5	42	0.5	56	0.5	108	
				-40°C to 125°C	0.5	151	0.5	110	0.5	87	0.5	41	0.5	38	0.5	42	0.5	56	0.5	108	
t_{en}	Enable time	DIR	A	-40°C to 85°C	0.5	326	0.5	326	0.5	326	0.5	326	0.5	326	0.5	326	0.5	326	0.5	326	ns
				-40°C to 125°C	0.5	326	0.5	326	0.5	326	0.5	326	0.5	326	0.5	326	0.5	326	0.5	326	
		DIR	B	-40°C to 85°C	0.5	320	0.5	257	0.5	223	0.5	194	0.5	190	0.5	192	0.5	200	0.5	233	
				-40°C to 125°C	0.5	320	0.5	257	0.5	223	0.5	194	0.5	190	0.5	192	0.5	200	0.5	233	

6.7 Switching Characteristics, $V_{CCA} = 0.8 \pm 0.045 \text{ V}$

See [Figure 1](#) and [Table 1](#) for test circuit and loading. See [Figure 2](#), [Figure 3](#), and [Figure 4](#) for measurement waveforms.

PARAMETER	FROM	TO	Test Conditions	B-Port Supply Voltage (V_{CCB})																UNIT	
				0.7 ± 0.05 V		0.8 ± 0.04 V		0.9 ± 0.045 V		1.2 ± 0.1 V		1.5 ± 0.1 V		1.8 ± 0.15 V		2.5 ± 0.2 V		3.3 ± 0.3 V			
				MIN	MAX	MIN	MAX	MIN	MAX	MIN	MAX	MIN	MAX	MIN	MAX	MIN	MAX	MIN	MAX		
t_{pd}	Propagation delay	A	B	-40°C to 85°C	0.5	155	0.5	96	0.5	64	0.5	34	0.5	28	0.5	27	0.5	29	0.5	34	ns
				-40°C to 125°C	0.5	155	0.5	96	0.5	64	0.5	34	0.5	28	0.5	27	0.5	29	0.5	34	
		B	A	-40°C to 85°C	0.5	117	0.5	96	0.5	78	0.5	52	0.5	42	0.5	41	0.5	40	0.5	40	
				-40°C to 125°C	0.5	117	0.5	96	0.5	78	0.5	52	0.5	42	0.5	41	0.5	40	0.5	40	
t_{dis}	Disable time	DIR	A	-40°C to 85°C	0.5	101	0.5	101	0.5	101	0.5	101	0.5	101	0.5	101	0.5	101	0.5	101	ns
				-40°C to 125°C	0.5	101	0.5	101	0.5	101	0.5	101	0.5	101	0.5	101	0.5	101	0.5	101	
		DIR	B	-40°C to 85°C	0.5	143	0.5	103	0.5	79	0.5	33	0.5	27	0.5	26	0.5	28	0.5	35	
				-40°C to 125°C	0.5	143	0.5	103	0.5	79	0.5	33	0.5	27	0.5	26	0.5	28	0.5	35	
$t_{en}^{(1)}$	Enable time	DIR	A	-40°C to 85°C	0.5	256	0.5	256	0.5	256	0.5	256	0.5	256	0.5	256	0.5	256	0.5	256	ns
				-40°C to 125°C	0.5	256	0.5	256	0.5	256	0.5	256	0.5	256	0.5	256	0.5	256	0.5	256	
		DIR	B	-40°C to 85°C	0.5	255	0.5	196	0.5	163	0.5	134	0.5	128	0.5	127	0.5	128	0.5	132	
				-40°C to 125°C	0.5	255	0.5	196	0.5	163	0.5	134	0.5	128	0.5	127	0.5	128	0.5	132	

(1) The enable time is a calculated value, derived using the formula shown in the Enable Times section.

6.8 Switching Characteristics, $V_{CCA} = 0.9 \pm 0.04 \text{ V}$

See [Figure 1](#) and [Table 1](#) for test circuit and loading. See [Figure 2](#), [Figure 3](#), and [Figure 4](#) for measurement waveforms.

PARAMETER	FROM	TO	Test Conditions	B-Port Supply Voltage (V_{CCB})																UNIT	
				0.7 ± 0.05 V		0.8 ± 0.04 V		0.9 ± 0.045 V		1.2 ± 0.1 V		1.5 ± 0.1 V		1.8 ± 0.15 V		2.5 ± 0.2 V		3.3 ± 0.3 V			
				MIN	MAX	MIN	MAX	MIN	MAX	MIN	MAX	MIN	MAX	MIN	MAX	MIN	MAX	MIN	MAX		
t_{pd}	Propagation delay	A	B	-40°C to 85°C	0.5	129	0.5	78	0.5	53	0.5	24	0.5	18	0.5	17	0.5	15	0.5	17	ns
				-40°C to 125°C	0.5	129	0.5	78	0.5	53	0.5	24	0.5	18	0.5	17	0.5	15	0.5	17	
		B	A	-40°C to 85°C	0.5	86	0.5	64	0.5	53	0.5	39	0.5	28	0.5	24	0.5	22	0.5	22	
				-40°C to 125°C	0.5	86	0.5	64	0.5	53	0.5	39	0.5	28	0.5	24	0.5	22	0.5	22	
t_{dis}	Disable time	DIR	A	-40°C to 85°C	0.5	75	0.5	75	0.5	75	0.5	75	0.5	75	0.5	75	0.5	75	0.5	75	ns
				-40°C to 125°C	0.5	75	0.5	75	0.5	75	0.5	75	0.5	75	0.5	75	0.5	75	0.5	75	
		DIR	B	-40°C to 85°C	0.5	141	0.5	99	0.5	75	0.5	30	0.5	23	0.5	22	0.5	20	0.5	22	
				-40°C to 125°C	0.5	141	0.5	99	0.5	75	0.5	31	0.5	24	0.5	22	0.5	20	0.5	23	
$t_{en}^{(1)}$	Enable time	DIR	A	-40°C to 85°C	0.5	219	0.5	219	0.5	219	0.5	219	0.5	219	0.5	219	0.5	219	0.5	219	ns
				-40°C to 125°C	0.5	219	0.5	219	0.5	219	0.5	219	0.5	219	0.5	219	0.5	219	0.5	219	
		DIR	B	-40°C to 85°C	0.5	202	0.5	152	0.5	125	0.5	97	0.5	92	0.5	90	0.5	89	0.5	90	
				-40°C to 125°C	0.5	202	0.5	152	0.5	125	0.5	97	0.5	92	0.5	90	0.5	89	0.5	90	

(1) The enable time is a calculated value, derived using the formula shown in the Enable Times section.

6.9 Switching Characteristics, $V_{CCA} = 1.2 \pm 0.1 \text{ V}$

See [Figure 1](#) and [Table 1](#) for test circuit and loading. See [Figure 2](#), [Figure 3](#), and [Figure 4](#) for measurement waveforms.

PARAMETER	FROM	TO	Test Conditions	B-Port Supply Voltage (V_{CCB})																UNIT	
				0.7 ± 0.05 V		0.8 ± 0.04 V		0.9 ± 0.045 V		1.2 ± 0.1 V		1.5 ± 0.1 V		1.8 ± 0.15 V		2.5 ± 0.2 V		3.3 ± 0.3 V			
				MIN	MAX	MIN	MAX	MIN	MAX	MIN	MAX	MIN	MAX	MIN	MAX	MIN	MAX	MIN	MAX		
t_{pd}	Propagation delay	A	B	-40°C to 85°C	0.5	89	0.5	52	0.5	39	0.5	15	0.5	11	0.5	9	0.5	8	0.5	8	ns
				-40°C to 125°C	0.5	89	0.5	52	0.5	39	0.5	15	0.5	11	0.5	10	0.5	8	0.5	8	
		B	A	-40°C to 85°C	0.5	51	0.5	34	0.5	24	0.5	15	0.5	12	0.5	10	0.5	8	0.5	8	
				-40°C to 125°C	0.5	51	0.5	34	0.5	24	0.5	15	0.5	12	0.5	10	0.5	8	0.5	8	
t_{dis}	Disable time	DIR	A	-40°C to 85°C	0.5	26	0.5	26	0.5	26	0.5	26	0.5	26	0.5	26	0.5	26	0.5	26	ns
				-40°C to 125°C	0.5	27	0.5	27	0.5	27	0.5	27	0.5	27	0.5	27	0.5	27	0.5	27	
		DIR	B	-40°C to 85°C	0.5	136	0.5	95	0.5	71	0.5	27	0.5	20	0.5	18	0.5	15	0.5	15	
				-40°C to 125°C	0.5	136	0.5	95	0.5	72	0.5	28	0.5	21	0.5	19	0.5	16	0.5	16	
$t_{en}^{(1)}$	Enable time	DIR	A	-40°C to 85°C	0.5	185	0.5	185	0.5	185	0.5	185	0.5	185	0.5	185	0.5	185	0.5	185	ns
				-40°C to 125°C	0.5	185	0.5	185	0.5	185	0.5	185	0.5	185	0.5	185	0.5	185	0.5	185	
		DIR	B	-40°C to 85°C	0.5	111	0.5	73	0.5	60	0.5	40	0.5	38	0.5	35	0.5	35	0.5	35	
				-40°C to 125°C	0.5	111	0.5	73	0.5	60	0.5	41	0.5	38	0.5	36	0.5	35	0.5	35	

(1) The enable time is a calculated value, derived using the formula shown in the Enable Times section.

6.10 Switching Characteristics, $V_{CCA} = 1.5 \pm 0.1 \text{ V}$

See [Figure 1](#) and [Table 1](#) for test circuit and loading. See [Figure 2](#), [Figure 3](#), and [Figure 4](#) for measurement waveforms.

PARAMETER	FROM	TO	Test Conditions	B-Port Supply Voltage (V_{CCB})																UNIT	
				0.7 ± 0.05 V		0.8 ± 0.04 V		0.9 ± 0.045 V		1.2 ± 0.1 V		1.5 ± 0.1 V		1.8 ± 0.15 V		2.5 ± 0.2 V		3.3 ± 0.3 V			
				MIN	MAX	MIN	MAX	MIN	MAX	MIN	MAX	MIN	MAX	MIN	MAX	MIN	MAX	MIN	MAX		
t_{pd}	Propagation delay	A	B	-40°C to 85°C	0.5	85	0.5	42	0.5	28	0.5	12	0.5	9	0.5	8	0.5	6	0.5	6	ns
				-40°C to 125°C	0.5	85	0.5	42	0.5	28	0.5	12	0.5	9	0.5	8	0.5	6	0.5	6	
	B	A	-40°C to 85°C	0.5	51	0.5	28	0.5	18	0.5	11	0.5	9	0.5	8	0.5	6	0.5	5		
			-40°C to 125°C	0.5	51	0.5	28	0.5	18	0.5	11	0.5	9	0.5	8	0.5	6	0.5	5		
t_{dis}	Disable time	DIR	A	-40°C to 85°C	0.5	18	0.5	18	0.5	18	0.5	18	0.5	18	0.5	18	0.5	18	0.5	18	ns
				-40°C to 125°C	0.5	19	0.5	19	0.5	19	0.5	19	0.5	19	0.5	19	0.5	19	0.5	19	
		DIR	B	-40°C to 85°C	0.5	135	0.5	94	0.5	70	0.5	26	0.5	19	0.5	17	0.5	13	0.5	13	
				-40°C to 125°C	0.5	135	0.5	94	0.5	71	0.5	27	0.5	20	0.5	18	0.5	14	0.5	14	
$t_{en}^{(1)}$	Enable time	DIR	A	-40°C to 85°C	0.5	180	0.5	180	0.5	180	0.5	180	0.5	180	0.5	180	0.5	180	0.5	180	ns
				-40°C to 125°C	0.5	180	0.5	180	0.5	180	0.5	180	0.5	180	0.5	180	0.5	180	0.5	180	
		DIR	B	-40°C to 85°C	0.5	98	0.5	55	0.5	42	0.5	30	0.5	27	0.5	26	0.5	24	0.5	23	
				-40°C to 125°C	0.5	98	0.5	55	0.5	42	0.5	31	0.5	28	0.5	27	0.5	25	0.5	25	

(1) The enable time is a calculated value, derived using the formula shown in the Enable Times section.

6.11 Switching Characteristics, $V_{CCA} = 1.8 \pm 0.15 \text{ V}$

See [Figure 1](#) and [Table 1](#) for test circuit and loading. See [Figure 2](#), [Figure 3](#), and [Figure 4](#) for measurement waveforms.

PARAMETER	FROM	TO	Test Conditions	B-Port Supply Voltage (V_{CCB})																UNIT		
				0.7 ± 0.05 V		0.8 ± 0.04 V		0.9 ± 0.045 V		1.2 ± 0.1 V		1.5 ± 0.1 V		1.8 ± 0.15 V		2.5 ± 0.2 V		3.3 ± 0.3 V				
				MIN	MAX	MIN	MAX	MIN	MAX	MIN	MAX	MIN	MAX	MIN	MAX	MIN	MAX	MIN	MAX			
t_{pd}	Propagation delay	A	B	-40°C to 85°C	0.5	84	0.5	41	0.5	24	0.5	10	0.5	8	0.5	7	0.5	6	0.5	5	ns	
				-40°C to 125°C	0.5	84	0.5	41	0.5	24	0.5	10	0.5	8	0.5	7	0.5	6	0.5	5		
		B	A	-40°C to 85°C	0.5	56	0.5	27	0.5	16	0.5	9	0.5	8	0.5	7	0.5	5	0.5	5		ns
				-40°C to 125°C	0.5	56	0.5	27	0.5	16	0.5	10	0.5	8	0.5	7	0.5	6	0.5	5		
t_{dis}	Disable time	DIR	A	-40°C to 85°C	0.5	16	0.5	16	0.5	16	0.5	16	0.5	16	0.5	16	0.5	16	0.5	16	ns	
				-40°C to 125°C	0.5	17	0.5	17	0.5	17	0.5	17	0.5	17	0.5	17	0.5	17	0.5	17		
		DIR	B	-40°C to 85°C	0.5	134	0.5	93	0.5	70	0.5	25	0.5	18	0.5	16	0.5	12	0.5	12	ns	
				-40°C to 125°C	0.5	134	0.5	93	0.5	71	0.5	26	0.5	19	0.5	17	0.5	13	0.5	13		
$t_{en}^{(1)}$	Enable time	DIR	A	-40°C to 85°C	0.5	180	0.5	178	0.5	178	0.5	178	0.5	178	0.5	178	0.5	178	0.5	178	ns	
				-40°C to 125°C	0.5	180	0.5	178	0.5	178	0.5	178	0.5	178	0.5	178	0.5	178	0.5	178		
		DIR	B	-40°C to 85°C	0.5	94	0.5	52	0.5	36	0.5	26	0.5	23	0.5	22	0.5	21	0.5	20	ns	
				-40°C to 125°C	0.5	94	0.5	52	0.5	36	0.5	27	0.5	24	0.5	23	0.5	22	0.5	22		

(1) The enable time is a calculated value, derived using the formula shown in the Enable Times section.

6.12 Switching Characteristics, $V_{CCA} = 2.5 \pm 0.2 \text{ V}$

See [Figure 1](#) and [Table 1](#) for test circuit and loading. See [Figure 2](#), [Figure 3](#), and [Figure 4](#) for measurement waveforms.

PARAMETER	FROM	TO	Test Conditions	B-Port Supply Voltage (V_{CCB})																UNIT	
				0.7 ± 0.05 V		0.8 ± 0.04 V		0.9 ± 0.045 V		1.2 ± 0.1 V		1.5 ± 0.1 V		1.8 ± 0.15 V		2.5 ± 0.2 V		3.3 ± 0.3 V			
				MIN	MAX	MIN	MAX	MIN	MAX	MIN	MAX	MIN	MAX	MIN	MAX	MIN	MAX	MIN	MAX		
t_{pd}	Propagation delay	A	B	-40°C to 85°C	0.5	82	0.5	40	0.5	22	0.5	8	0.5	6	0.5	5	0.5	5	0.5	5	ns
				-40°C to 125°C	0.5	82	0.5	40	0.5	22	0.5	8	0.5	6	0.5	6	0.5	5	0.5	5	
	B	A	-40°C to 85°C	0.5	72	0.5	29	0.5	15	0.5	8	0.5	6	0.5	6	0.5	5	0.5	4		
			-40°C to 125°C	0.5	72	0.5	29	0.5	15	0.5	8	0.5	6	0.5	6	0.5	5	0.5	4		
t_{dis}	Disable time	DIR	A	-40°C to 85°C	0.5	11	0.5	11	0.5	11	0.5	11	0.5	11	0.5	11	0.5	11	0.5	11	ns
				-40°C to 125°C	0.5	12	0.5	12	0.5	12	0.5	12	0.5	12	0.5	12	0.5	12	0.5	12	
		DIR	B	-40°C to 85°C	0.5	135	0.5	93	0.5	70	0.5	25	0.5	18	0.5	15	0.5	12	0.5	11	
				-40°C to 125°C	0.5	135	0.5	93	0.5	70	0.5	26	0.5	19	0.5	16	0.5	13	0.5	12	
$t_{en}^{(1)}$	Enable time	DIR	A	-40°C to 85°C	0.5	188	0.5	183	0.5	183	0.5	183	0.5	183	0.5	183	0.5	183	0.5	183	ns
				-40°C to 125°C	0.5	188	0.5	183	0.5	183	0.5	183	0.5	183	0.5	183	0.5	183	0.5	183	
		DIR	B	-40°C to 85°C	0.5	90	0.5	47	0.5	29	0.5	18	0.5	17	0.5	16	0.5	16	0.5	15	
				-40°C to 125°C	0.5	90	0.5	47	0.5	29	0.5	19	0.5	18	0.5	17	0.5	17	0.5	16	

(1) The enable time is a calculated value, derived using the formula shown in the Enable Times section.

6.13 Switching Characteristics, $V_{CCA} = 3.3 \pm 0.3 \text{ V}$

See [Figure 1](#) and [Table 1](#) for test circuit and loading. See [Figure 2](#), [Figure 3](#), and [Figure 4](#) for measurement waveforms.

PARAMETER	FROM	TO	Test Conditions	B-Port Supply Voltage (V_{CCB})																UNIT		
				0.7 ± 0.05 V		0.8 ± 0.04 V		0.9 ± 0.045 V		1.2 ± 0.1 V		1.5 ± 0.1 V		1.8 ± 0.15 V		2.5 ± 0.2 V		3.3 ± 0.3 V				
				MIN	MAX	MIN	MAX	MIN	MAX	MIN	MAX	MIN	MAX	MIN	MAX	MIN	MAX	MIN	MAX			
t_{pd}	Propagation delay	A	B	-40°C to 85°C	0.5	82	0.5	40	0.5	22	0.5	8	0.5	5	0.5	5	0.5	4	0.5	4	ns	
				-40°C to 125°C	0.5	82	0.5	40	0.5	22	0.5	8	0.5	5	0.5	5	0.5	4	0.5	4		
		B	A	-40°C to 85°C	0.5	106	0.5	34	0.5	17	0.5	8	0.5	6	0.5	5	0.5	5	0.5	4		ns
				-40°C to 125°C	0.5	106	0.5	34	0.5	17	0.5	8	0.5	6	0.5	5	0.5	5	0.5	4		
t_{dis}	Disable time	DIR	A	-40°C to 85°C	0.5	10	0.5	10	0.5	10	0.5	10	0.5	10	0.5	10	0.5	10	0.5	10	ns	
				-40°C to 125°C	0.5	11	0.5	11	0.5	11	0.5	11	0.5	11	0.5	11	0.5	11	0.5	11		
		DIR	B	-40°C to 85°C	0.5	135	0.5	93	0.5	70	0.5	25	0.5	17	0.5	15	0.5	11	0.5	11		ns
				-40°C to 125°C	0.5	135	0.5	93	0.5	70	0.5	26	0.5	19	0.5	16	0.5	12	0.5	11		
$t_{en}^{(1)}$	Enable time	DIR	A	-40°C to 85°C	0.5	222	0.5	222	0.5	222	0.5	222	0.5	222	0.5	222	0.5	222	0.5	222	ns	
				-40°C to 125°C	0.5	222	0.5	222	0.5	222	0.5	222	0.5	222	0.5	222	0.5	222	0.5	222		
		DIR	B	-40°C to 85°C	0.5	90	0.5	46	0.5	28	0.5	17	0.5	15	0.5	15	0.5	14	0.5	14		ns
				-40°C to 125°C	0.5	90	0.5	46	0.5	28	0.5	18	0.5	16	0.5	16	0.5	15	0.5	15		

(1) The enable time is a calculated value, derived using the formula shown in the Enable Times section.

6.14 Operating Characteristics: $T_A = 25^\circ\text{C}$

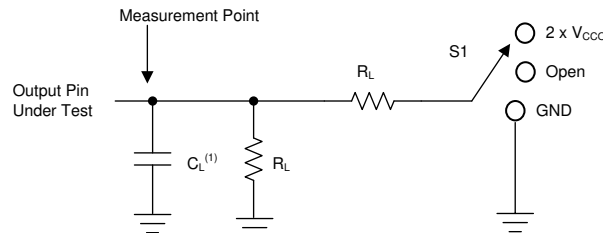
PARAMETER		TEST CONDITIONS	V_{CCA}	V_{CCB}	MIN	TYP	MAX	UNIT
C_{pdA}	Power Dissipation Capacitance per transceiver (A to B)	CL = 0, RL = Open f = 1 MHz, tr = tf = 1 ns	0.7 V	0.7 V		2.3		pF
			0.8 V	0.8 V		2.1		
			0.9 V	0.9 V		2.1		
			1.2 V	1.2 V		2		
			1.5 V	1.5 V		2		
			1.8 V	1.8 V		2.1		
			2.5 V	2.5 V		2.7		
	3.3 V	3.3 V		3.4				
	Power Dissipation Capacitance per transceiver (B to A)	CL = 0, RL = Open f = 1 MHz, tr = tf = 1 ns	0.7 V	0.7 V		11.2		pF
			0.8 V	0.8 V		11.1		
			0.9 V	0.9 V		11.1		
			1.2 V	1.2 V		11.2		
			1.5 V	1.5 V		11.5		
			1.8 V	1.8 V		12.7		
2.5 V			2.5 V		16.5			
3.3 V	3.3 V		20.3					
C_{pdB}	Power Dissipation Capacitance per transceiver (A to B)	CL = 0, RL = Open f = 1 MHz, tr = tf = 1 ns	0.7 V	0.7 V		11.4		pF
			0.8 V	0.8 V		11.2		
			0.9 V	0.9 V		11.2		
			1.2 V	1.2 V		11.3		
			1.5 V	1.5 V		11.6		
			1.8 V	1.8 V		12.7		
			2.5 V	2.5 V		16.7		
	3.3 V	3.3 V		20.5				
	Power Dissipation Capacitance per transceiver (B to A)	CL = 0, RL = Open f = 1 MHz, tr = tf = 1 ns	0.7 V	0.7 V		2.2		pF
			0.8 V	0.8 V		2.1		
			0.9 V	0.9 V		2.1		
			1.2 V	1.2 V		2.1		
			1.5 V	1.5 V		2.2		
			1.8 V	1.8 V		2.3		
2.5 V			2.5 V		2.7			
3.3 V	3.3 V		3.6					

7 Parameter Measurement Information

7.1 Load Circuit and Voltage Waveforms

Unless otherwise noted, all input pulses are supplied by generators having the following characteristics:

- $f = 1 \text{ MHz}$
- $Z_O = 50 \Omega$
- $dv/dt \leq 1 \text{ ns/V}$

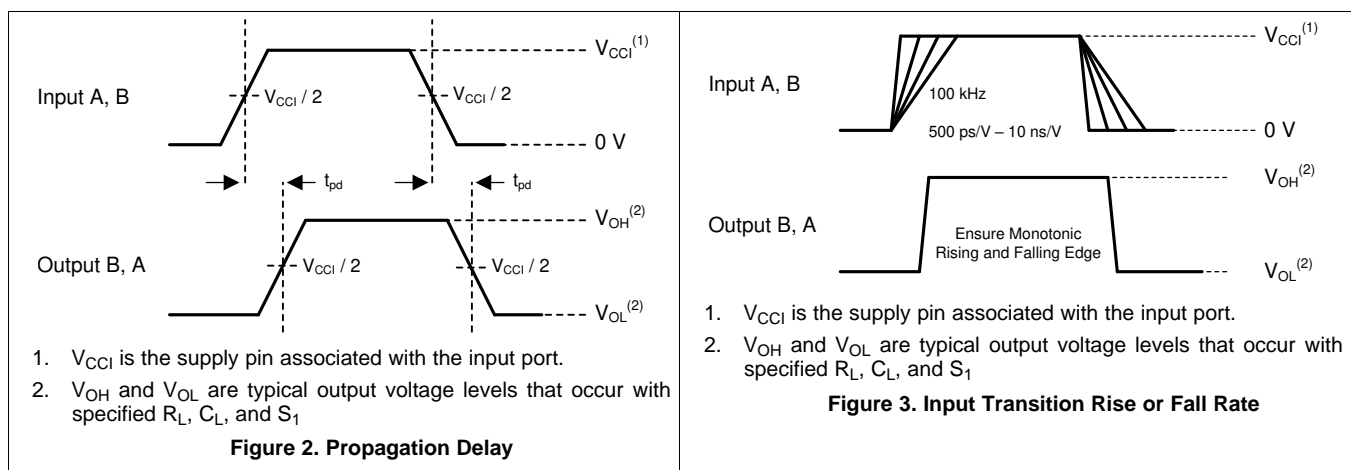


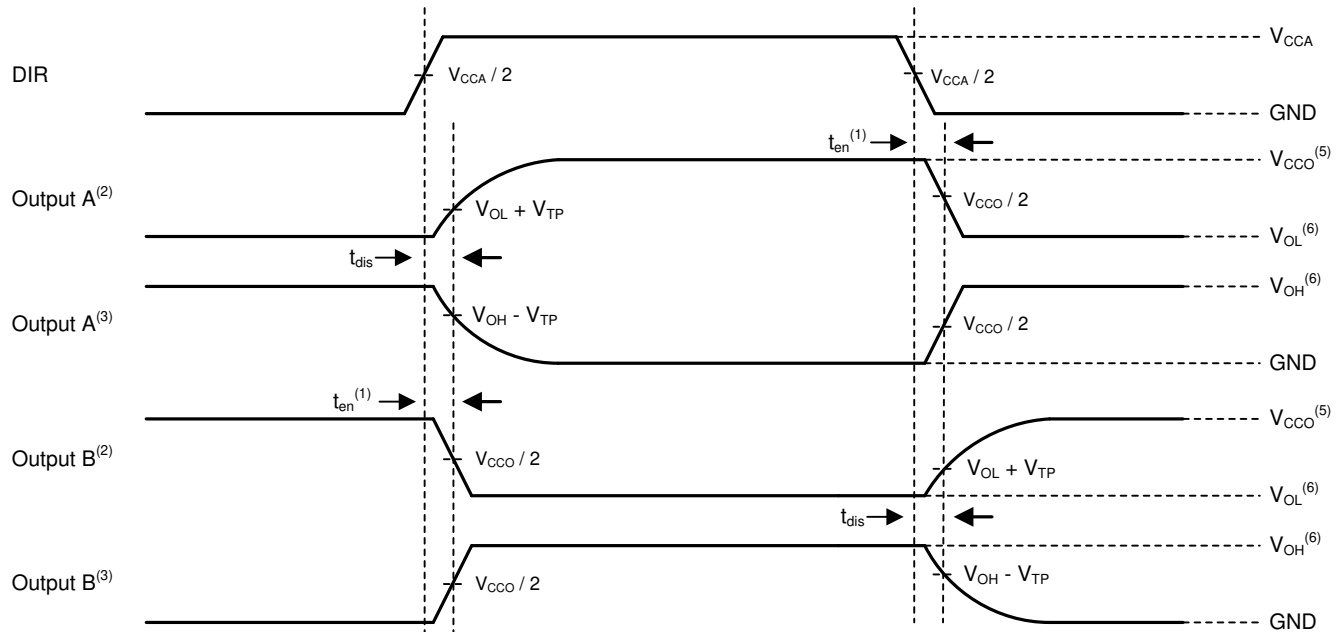
(1) C_L includes probe and jig capacitance.

Figure 1. Load Circuit

Table 1. Load Circuit Conditions

Parameter	V_{CCO}	R_L	C_L	S_1	V_{TP}
$\Delta t/\Delta v$ Input transition rise or fall rate	0.65 V – 3.6 V	1 M Ω	15 pF	Open	N/A
t_{pd} Propagation (delay) time	1.1 V – 3.6 V	2 k Ω	15 pF	Open	N/A
	0.65 V – 0.95 V	20 k Ω	15 pF	Open	N/A
t_{en}, t_{dis} Enable time, disable time	3 V – 3.6 V	2 k Ω	15 pF	$2 \times V_{CCO}$	0.3 V
	1.65 V – 2.7 V	2 k Ω	15 pF	$2 \times V_{CCO}$	0.15 V
	1.1 V – 1.6 V	2 k Ω	15 pF	$2 \times V_{CCO}$	0.1 V
	0.65 V – 0.95 V	20 k Ω	15 pF	$2 \times V_{CCO}$	0.1 V
t_{en}, t_{dis} Enable time, disable time	3 V – 3.6 V	2 k Ω	15 pF	GND	0.3 V
	1.65 V – 2.7 V	2 k Ω	15 pF	GND	0.15 V
	1.1 V – 1.6 V	2 k Ω	15 pF	GND	0.1 V
	0.65 V – 0.95 V	20 k Ω	15 pF	GND	0.1 V





- (1) Illustrative purposes only. Enable Time is a calculation as described in the Application Information section.
- (2) Output waveform on the condition that input is driven to a valid Logic Low.
- (3) Output waveform on the condition that input is driven to a valid Logic High.
- (4) V_{CCI} is the supply pin associated with the input port.
- (5) V_{CCO} is the supply pin associated with the output port.
- (6) V_{OH} and V_{OL} are typical output voltage levels with specified R_L , C_L , and S_1 .

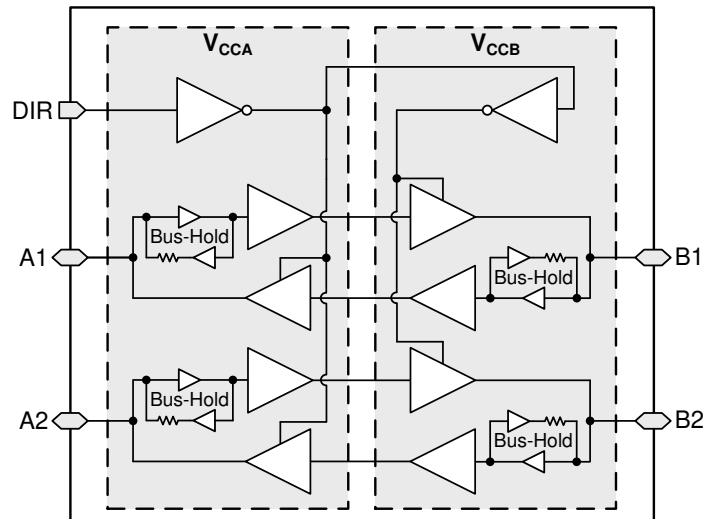
Figure 4. Enable Time And Disable Time

8 Detailed Description

8.1 Overview

The SN74AXCH2T45 is a 2-bit, dual-supply noninverting bidirectional voltage level translation device. Ax pins and the DIR pin are referenced to V_{CCA} logic levels, and Bx pins are referenced to V_{CCB} logic levels. The A port is able to accept I/O voltages ranging from 0.65 V to 3.6 V, while the B port can accept I/O voltages from 0.65 V to 3.6 V. A high on DIR enables data transmission from A to B and a low on DIR enables data transmission from B to A. See [Device Functional Modes](#) for a summary of the operation of the control logic.

8.2 Functional Block Diagram



Note: Bus-hold circuits are only present for data inputs, not control inputs

8.3 Feature Description

8.3.1 Standard CMOS Inputs

Standard CMOS inputs are high impedance and are typically modeled as a resistor in parallel with the input capacitance given in the [Electrical Characteristics](#). The worst case resistance is calculated with the maximum input voltage, given in the [Absolute Maximum Ratings](#), and the maximum input leakage current, given in the [Electrical Characteristics](#), using ohm's law ($R = V \div I$).

Signals applied to the inputs need to have fast edge rates, as defined by $\Delta t/\Delta v$ in [Recommended Operating Conditions](#) to avoid excessive current consumption and oscillations. If a slow or noisy input signal is required, a device with a Schmitt-trigger input should be used to condition the input signal prior to the standard CMOS input.

8.3.2 Balanced High-Drive CMOS Push-Pull Outputs

A balanced output allows the device to sink and source similar currents. The high drive capability of this device creates fast edges into light loads so routing and load conditions should be considered to prevent ringing. Additionally, the outputs of this device are capable of driving larger currents than the device can sustain without being damaged. The electrical and thermal limits defined in the [Absolute Maximum Ratings](#) must be followed at all times.

8.3.3 Partial Power Down (I_{off})

The inputs and outputs for this device enter a high-impedance state when the device is powered down, inhibiting current backflow into the device. The maximum leakage into or out of any input or output pin on the device is specified by I_{off} in the .

8.3.4 V_{CC} Isolation

The inputs and outputs for this device enter a high-impedance state when either supply is $<100\text{mV}$.

Feature Description (continued)

8.3.5 Over-voltage Tolerant Inputs

Input signals to this device can be driven above the supply voltage so long as they remain below the maximum input voltage value specified in the [Recommended Operating Conditions](#).

8.3.6 Glitch-free Power Supply Sequencing

Either supply rail may be powered on or off in any order without producing a glitch on the I/Os (that is, where the output erroneously transitions to VCC when it should be held low). Glitches of this nature can be misinterpreted by a peripheral as a valid data bit, which could trigger a false device reset of the peripheral, a false device configuration of the peripheral, or even a false data initialization by the peripheral. For more information regarding the power up glitch performance of the AXC family of level translators, see the [Glitch Free Power Sequencing With AXC Level Translators](#) application report

8.3.7 Negative Clamping Diodes

The inputs and outputs to this device have negative clamping diodes as depicted in [Figure 5](#).

CAUTION

Voltages beyond the values specified in the [Absolute Maximum Ratings](#) table can cause damage to the device. The input negative-voltage and output voltage ratings may be exceeded if the input and output clamp-current ratings are observed.

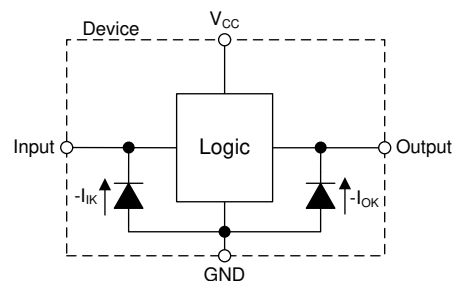


Figure 5. Electrical Placement of Clamping Diodes for Each Input and Output

8.3.8 Fully Configurable Dual-Rail Design

Both the V_{CCA} and V_{CCB} pins can be supplied at any voltage from 0.65 V to 3.6 V, making the device suitable for translating between any of the voltage nodes (0.7 V, 0.8 V, 0.9 V, 1.2 V, 1.8 V, 2.5 V and 3.3 V).

8.3.9 Supports High-Speed Translation

The SN74AXCH2T45 device can support high data-rate applications. The translated signal data rate can be up to 380 Mbps when the signal is translated from 1.8 V to 3.3 V.

8.4 Bus-Hold Data Inputs

Each data input on this device includes a weak latch that maintains a valid logic level on the input. The state of these latches is unknown at startup and remains unknown until the input has been forced to a valid high or low state. After data has been sent through a channel, the latch then maintains the previous state on the input if the line is left floating. It is not recommended to use pull-up or pull-down resistors together with a bus-hold input, as it may cause undefined inputs to occur which leads to excessive current consumption.

Bus-hold data inputs prevent floating inputs on this device. The [Implications of Slow or Floating CMOS Inputs](#) application report explains the problems associated with leaving CMOS inputs floating.

These latches remain active at all times, independent of all control signals such as direction control or output enable.

The [Bus-Hold Circuit](#) application report has additional details regarding bus-hold inputs.

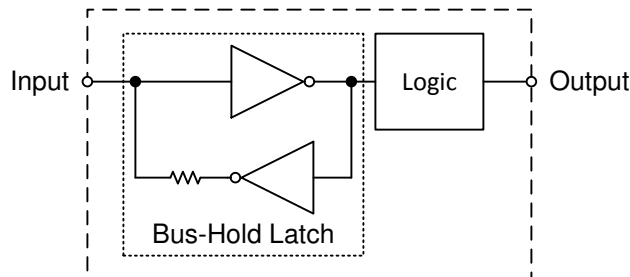


Figure 6. Simplified Schematic For Device With Bus-Hold Data Inputs

8.5 Device Functional Modes

Table 2. Function Table
(Each 2-Bit Section)⁽¹⁾

CONTROL INPUT	Port Status		OPERATION
	A PORT	B PORT	
L	Output (Enabled)	Input (Hi-Z)	B data to A bus
H	Input (Hi-Z)	Output (Enabled)	A data to B bus

(1) Input circuits of the data I/Os are always active.

9 Application and Implementation

NOTE

Information in the following applications sections is not part of the TI component specification, and TI does not warrant its accuracy or completeness. TI's customers are responsible for determining suitability of components for their purposes. Customers should validate and test their design implementation to confirm system functionality.

9.1 Application Information

The SN74AXCH2T45 device can be used in level-translation applications for interfacing devices or systems operating at different interface voltages with one another. The SN74AXCH2T45 device is ideal for use in applications where a push-pull driver is connected to the data I/Os. The max data rate can be up to 380 Mbps when device translates a signal from 1.8 V to 3.3 V.

One example application is shown in [Figure 7](#), where the SN74AXCH2T45 device is used to translate low voltage error signals from a CPU to a higher voltage signal to properly drive the inputs of a system controller, thus alerting the system of any CPU errors such as overheating or other catastrophic processor errors.

9.1.1 Enable Times

Calculate the enable times for the SN74AXCH2T45 using the following formulas:

$$t_{PZH} \text{ (DIR to A)} = t_{PLZ} \text{ (DIR to B)} + t_{PLH} \text{ (B to A)} \quad (1)$$

$$t_{PZL} \text{ (DIR to A)} = t_{PHZ} \text{ (DIR to B)} + t_{PHL} \text{ (B to A)} \quad (2)$$

$$t_{PZH} \text{ (DIR to B)} = t_{PLZ} \text{ (DIR to A)} + t_{PLH} \text{ (A to B)} \quad (3)$$

$$t_{PZL} \text{ (DIR to B)} = t_{PHZ} \text{ (DIR to A)} + t_{PHL} \text{ (A to B)} \quad (4)$$

In a bidirectional application, these enable times provide the maximum delay time from the time the DIR bit is switched until an output is expected. For example, if the SN74AXCH2T45 initially is transmitting from A to B, then the DIR bit is switched; the B port of the device must be disabled before presenting it with an input. After the B port has been disabled, an input signal applied to it appears on the corresponding A port after the specified propagation delay.

9.2 Typical Application

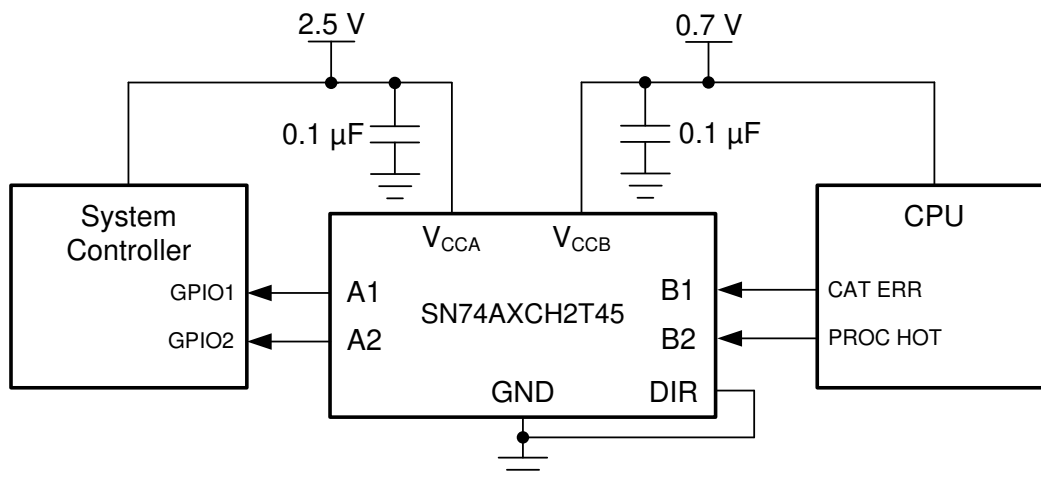


Figure 7. Processor Error Application

Typical Application (continued)

9.2.1 Design Requirements

For this design example, use the parameters listed in [Table 3](#).

Table 3. Design Parameters

DESIGN PARAMETERS	EXAMPLE VALUES
Input voltage range	0.65 V to 3.6 V
Output voltage range	0.65 V to 3.6 V

9.2.2 Detailed Design Procedure

To begin the design process, determine the following:

- Input voltage range
 - Use the supply voltage of the device that is driving the SN74AXCH2T45 device to determine the input voltage range. For a valid logic-high, the value must exceed the high-level input voltage (V_{IH}) of the input port. For a valid logic low the value must be less than the low-level input voltage (V_{IL}) of the input port.
- Output voltage range
 - Use the supply voltage of the device that the SN74AXCH2T45 device is driving to determine the output voltage range.

9.2.3 Application Curve

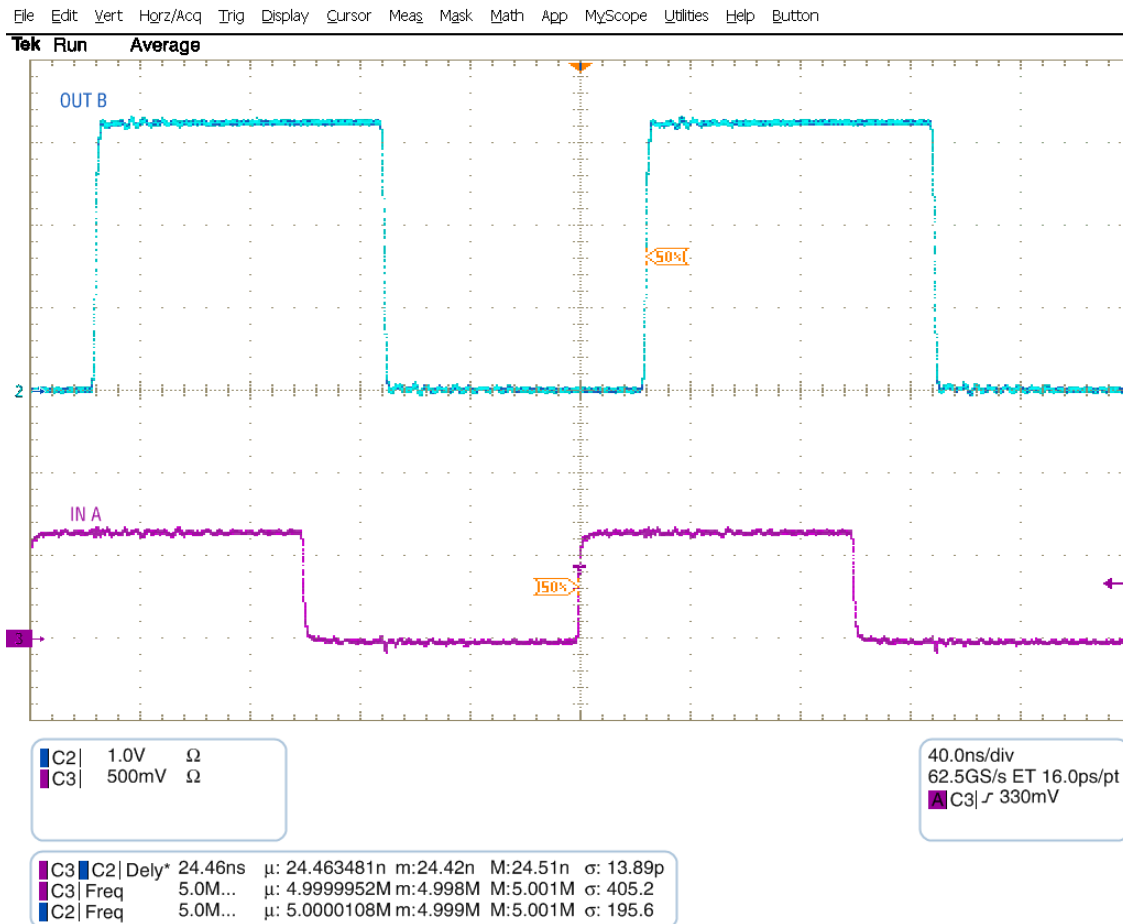


Figure 8. Up Translation at 2.5 MHz (0.7 V to 3.3 V)

10 Power Supply Recommendations

Always apply a ground reference to the GND pins first. This device is designed for glitch free power sequencing without any supply sequencing requirements such as ramp order or ramp rate.

This device was designed with various power supply sequencing methods in mind to help prevent unintended triggering of downstream devices. For more information regarding the power up glitch performance of the AXC family of level translators, see the [Glitch Free Power Sequencing With AXC Level Translators](#) application report

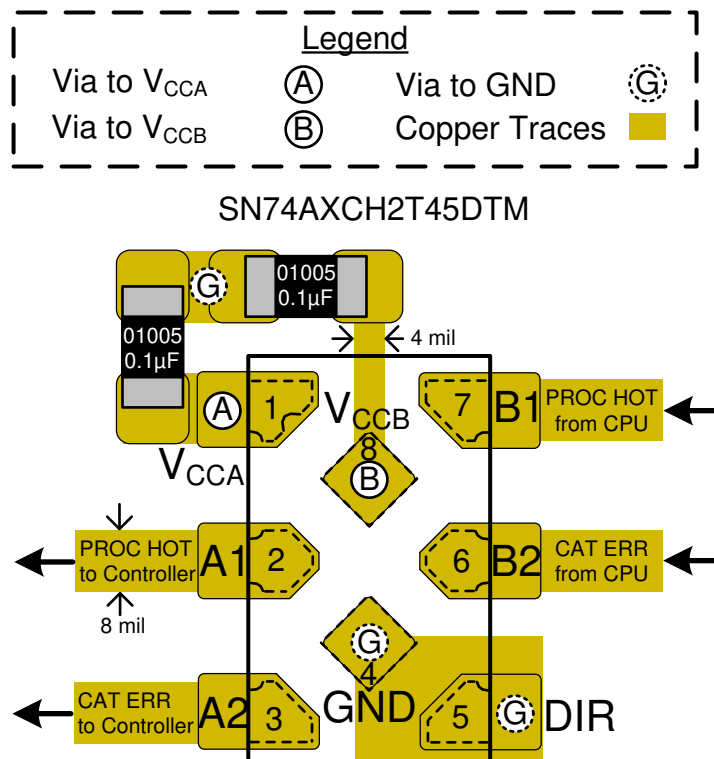
11 Layout

11.1 Layout Guidelines

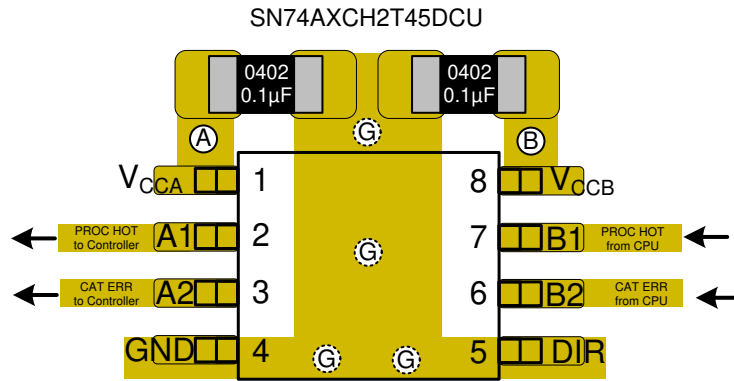
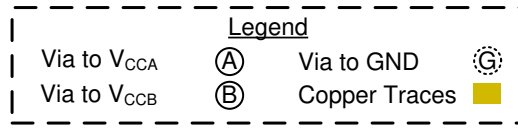
To ensure reliability of the device, following common printed-circuit board layout guidelines are recommended:

- Use bypass capacitors on the power supply pins and place them as close to the device as possible. A 0.1 μF capacitor is recommended, but transient performance can be improved by having both 1 μF and 0.1 μF capacitors in parallel as bypass capacitors.
- Use short trace lengths to avoid excessive loading.

11.2 Layout Example



Layout Example (continued)



12 Device and Documentation Support

12.1 Related Documentation

For related documentation see the following:

- Texas Instruments, [Implications of Slow or Floating CMOS Inputs](#) application report
- Texas Instruments, [Power Sequencing for AXC Family of Devices](#) application report

12.2 Receiving Notification of Documentation Updates

To receive notification of documentation updates, navigate to the device product folder on ti.com. In the upper right corner, click on *Alert me* to register and receive a weekly digest of any product information that has changed. For change details, review the revision history included in any revised document.

12.3 Support Resources

[TI E2E™ support forums](#) are an engineer's go-to source for fast, verified answers and design help — straight from the experts. Search existing answers or ask your own question to get the quick design help you need.

Linked content is provided "AS IS" by the respective contributors. They do not constitute TI specifications and do not necessarily reflect TI's views; see TI's [Terms of Use](#).

12.4 Trademarks

E2E is a trademark of Texas Instruments.

12.5 Electrostatic Discharge Caution



This integrated circuit can be damaged by ESD. Texas Instruments recommends that all integrated circuits be handled with appropriate precautions. Failure to observe proper handling and installation procedures can cause damage.

ESD damage can range from subtle performance degradation to complete device failure. Precision integrated circuits may be more susceptible to damage because very small parametric changes could cause the device not to meet its published specifications.

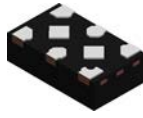
12.6 Glossary

[SLYZ022](#) — *TI Glossary*.

This glossary lists and explains terms, acronyms, and definitions.

13 Mechanical, Packaging, and Orderable Information

The following pages include mechanical, packaging, and orderable information. This information is the most current data available for the designated devices. This data is subject to change without notice and revision of this document. For browser-based versions of this data sheet, refer to the left-hand navigation.

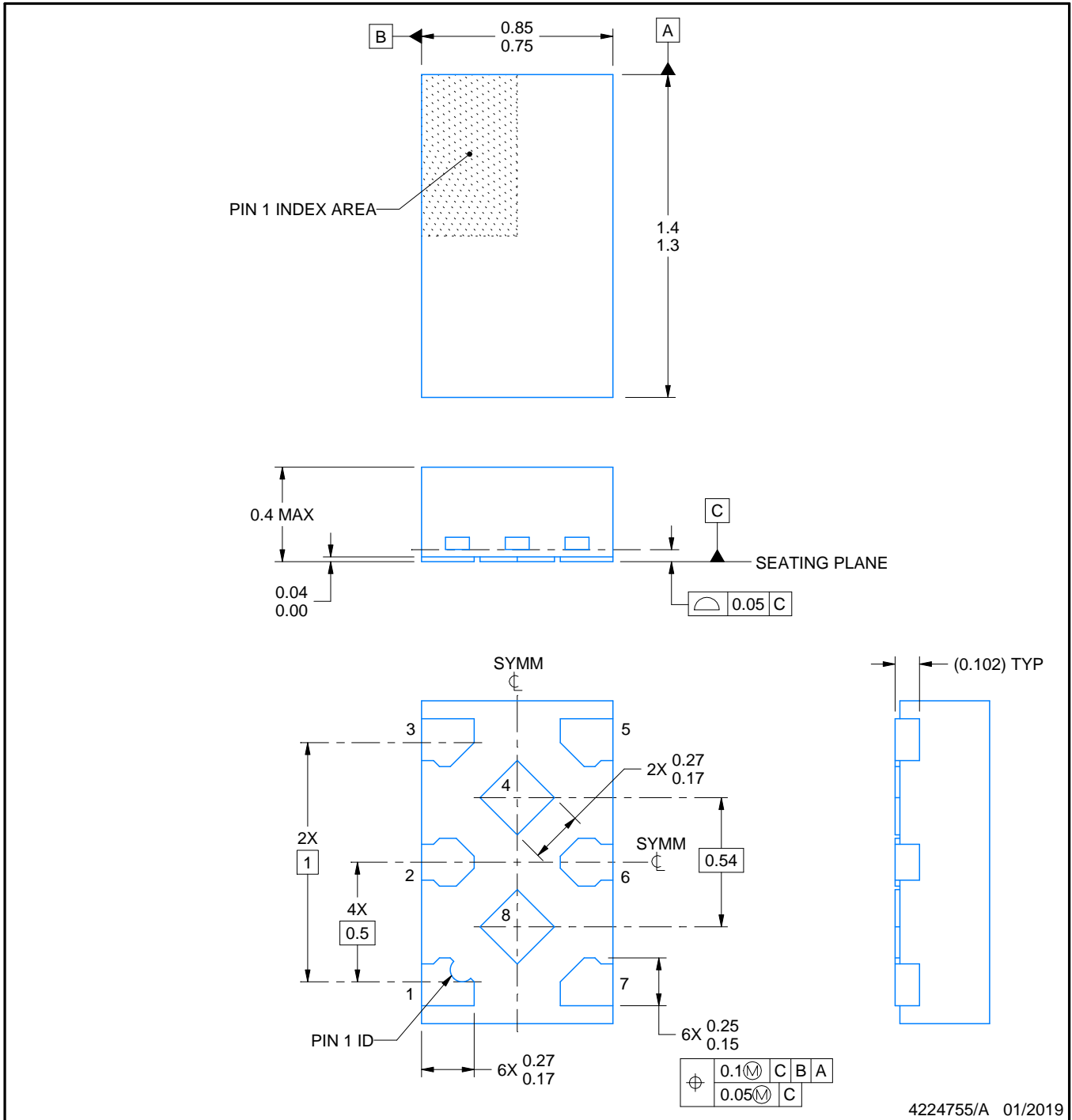


DTM0008A

PACKAGE OUTLINE

X2SON - 0.4 mm max height

PLASTIC SMALL OUTLINE - NO LEAD



NOTES:

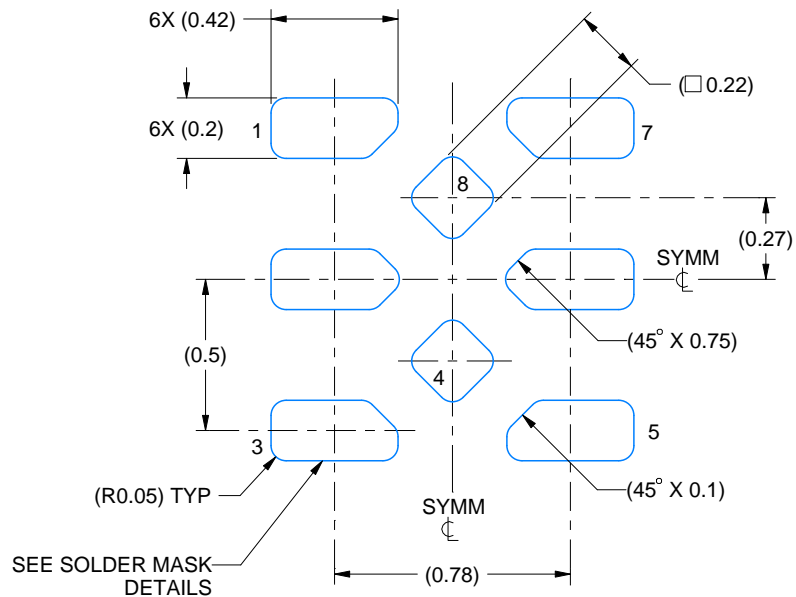
1. All linear dimensions are in millimeters. Any dimensions in parenthesis are for reference only. Dimensioning and tolerancing per ASME Y14.5M.
2. This drawing is subject to change without notice.
3. The package thermal pad(s) must be soldered to the printed circuit board for thermal and mechanical performance.

EXAMPLE BOARD LAYOUT

DTM0008A

X2SON - 0.4 mm max height

PLASTIC SMALL OUTLINE - NO LEAD



LAND PATTERN EXAMPLE
EXPOSED METAL SHOWN
SCALE:40X



SOLDER MASK DETAILS

4224755/A 01/2019

NOTES: (continued)

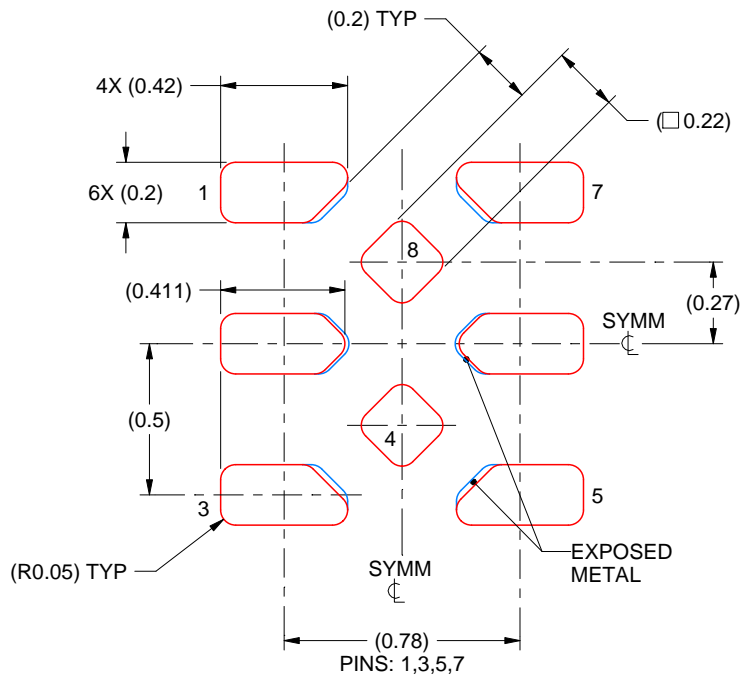
- This package is designed to be soldered to a thermal pad on the board. For more information, see Texas Instruments literature number SLUA271 (www.ti.com/lit/slua271).

EXAMPLE STENCIL DESIGN

DTM0008A

X2SON - 0.4 mm max height

PLASTIC SMALL OUTLINE - NO LEAD



SOLDER PASTE EXAMPLE
BASED ON 0.075 mm THICK STENCIL
SCALE: 40X

4224755/A 01/2019

5. Laser cutting apertures with trapezoidal walls and rounded corners may offer better paste release. IPC-7525 may have alternate design recommendations.

PACKAGING INFORMATION

Orderable Device	Status (1)	Package Type	Package Drawing	Pins	Package Qty	Eco Plan (2)	Lead finish/ Ball material (6)	MSL Peak Temp (3)	Op Temp (°C)	Device Marking (4/5)	Samples
SN74AXCH2T45DCUR	ACTIVE	VSSOP	DCU	8	3000	RoHS & Green	SN	Level-1-260C-UNLIM	-40 to 125	22IT	Samples
SN74AXCH2T45DTMR	ACTIVE	X2SON	DTM	8	5000	RoHS & Green	NIPDAUAG	Level-1-260C-UNLIM	-40 to 125	1GE	Samples

(1) The marketing status values are defined as follows:

ACTIVE: Product device recommended for new designs.

LIFEBUY: TI has announced that the device will be discontinued, and a lifetime-buy period is in effect.

NRND: Not recommended for new designs. Device is in production to support existing customers, but TI does not recommend using this part in a new design.

PREVIEW: Device has been announced but is not in production. Samples may or may not be available.

OBSOLETE: TI has discontinued the production of the device.

(2) **RoHS:** TI defines "RoHS" to mean semiconductor products that are compliant with the current EU RoHS requirements for all 10 RoHS substances, including the requirement that RoHS substance do not exceed 0.1% by weight in homogeneous materials. Where designed to be soldered at high temperatures, "RoHS" products are suitable for use in specified lead-free processes. TI may reference these types of products as "Pb-Free".

RoHS Exempt: TI defines "RoHS Exempt" to mean products that contain lead but are compliant with EU RoHS pursuant to a specific EU RoHS exemption.

Green: TI defines "Green" to mean the content of Chlorine (Cl) and Bromine (Br) based flame retardants meet JS709B low halogen requirements of <=1000ppm threshold. Antimony trioxide based flame retardants must also meet the <=1000ppm threshold requirement.

(3) MSL, Peak Temp. - The Moisture Sensitivity Level rating according to the JEDEC industry standard classifications, and peak solder temperature.

(4) There may be additional marking, which relates to the logo, the lot trace code information, or the environmental category on the device.

(5) Multiple Device Markings will be inside parentheses. Only one Device Marking contained in parentheses and separated by a "~" will appear on a device. If a line is indented then it is a continuation of the previous line and the two combined represent the entire Device Marking for that device.

(6) Lead finish/Ball material - Orderable Devices may have multiple material finish options. Finish options are separated by a vertical ruled line. Lead finish/Ball material values may wrap to two lines if the finish value exceeds the maximum column width.

Important Information and Disclaimer:The information provided on this page represents TI's knowledge and belief as of the date that it is provided. TI bases its knowledge and belief on information provided by third parties, and makes no representation or warranty as to the accuracy of such information. Efforts are underway to better integrate information from third parties. TI has taken and continues to take reasonable steps to provide representative and accurate information but may not have conducted destructive testing or chemical analysis on incoming materials and chemicals. TI and TI suppliers consider certain information to be proprietary, and thus CAS numbers and other limited information may not be available for release.

In no event shall TI's liability arising out of such information exceed the total purchase price of the TI part(s) at issue in this document sold by TI to Customer on an annual basis.

TAPE AND REEL INFORMATION



QUADRANT ASSIGNMENTS FOR PIN 1 ORIENTATION IN TAPE



*All dimensions are nominal

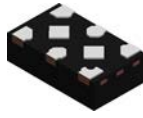
Device	Package Type	Package Drawing	Pins	SPQ	Reel Diameter (mm)	Reel Width W1 (mm)	A0 (mm)	B0 (mm)	K0 (mm)	P1 (mm)	W (mm)	Pin1 Quadrant
SN74AXCH2T45DCUR	VSSOP	DCU	8	3000	178.0	9.0	2.25	3.35	1.05	4.0	8.0	Q3
SN74AXCH2T45DTMR	X2SON	DTM	8	5000	178.0	8.4	0.93	1.49	0.43	2.0	8.0	Q1

TAPE AND REEL BOX DIMENSIONS



*All dimensions are nominal

Device	Package Type	Package Drawing	Pins	SPQ	Length (mm)	Width (mm)	Height (mm)
SN74AXCH2T45DCUR	VSSOP	DCU	8	3000	180.0	180.0	18.0
SN74AXCH2T45DTMR	X2SON	DTM	8	5000	205.0	200.0	33.0

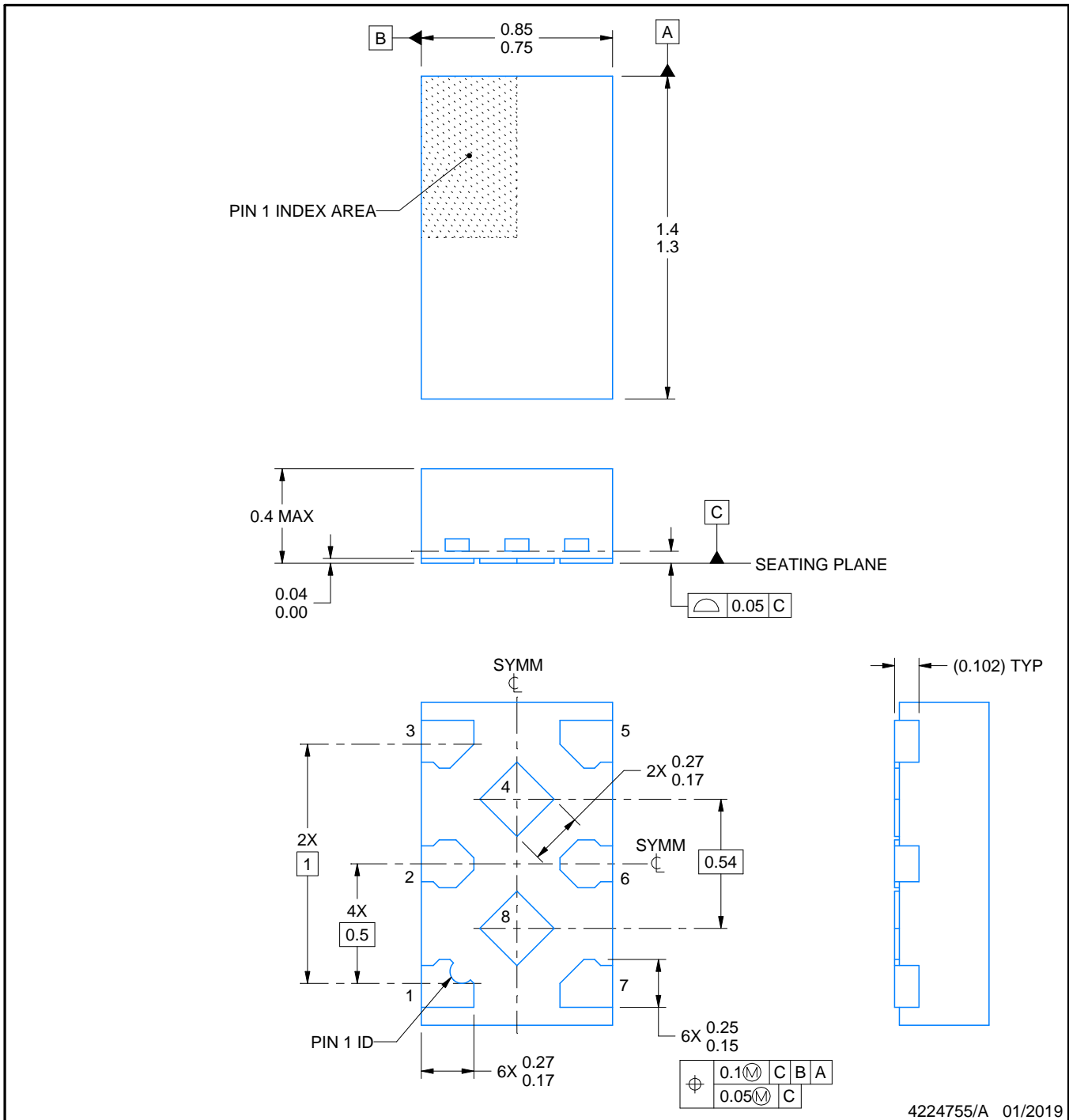


DTM0008A

PACKAGE OUTLINE

X2SON - 0.4 mm max height

PLASTIC SMALL OUTLINE - NO LEAD



NOTES:

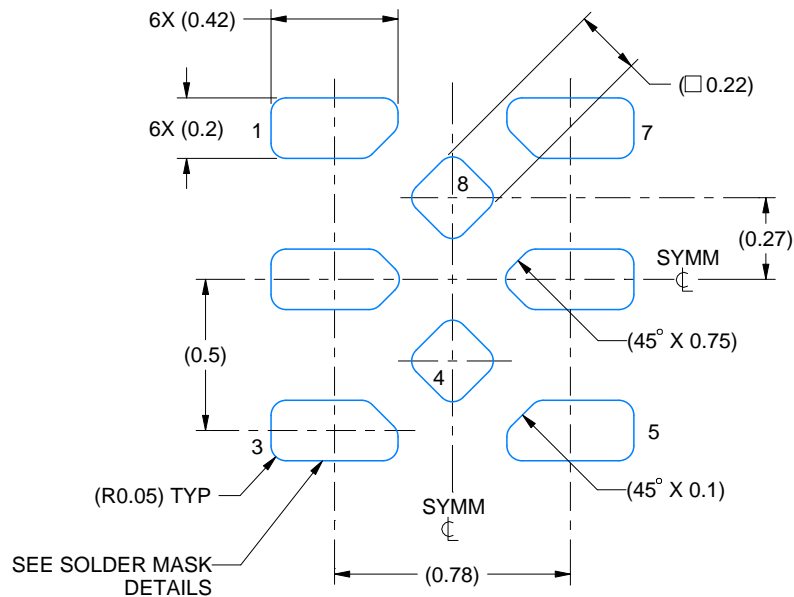
1. All linear dimensions are in millimeters. Any dimensions in parenthesis are for reference only. Dimensioning and tolerancing per ASME Y14.5M.
2. This drawing is subject to change without notice.
3. The package thermal pad(s) must be soldered to the printed circuit board for thermal and mechanical performance.

EXAMPLE BOARD LAYOUT

DTM0008A

X2SON - 0.4 mm max height

PLASTIC SMALL OUTLINE - NO LEAD



LAND PATTERN EXAMPLE
EXPOSED METAL SHOWN
SCALE:40X



SOLDER MASK DETAILS

4224755/A 01/2019

NOTES: (continued)

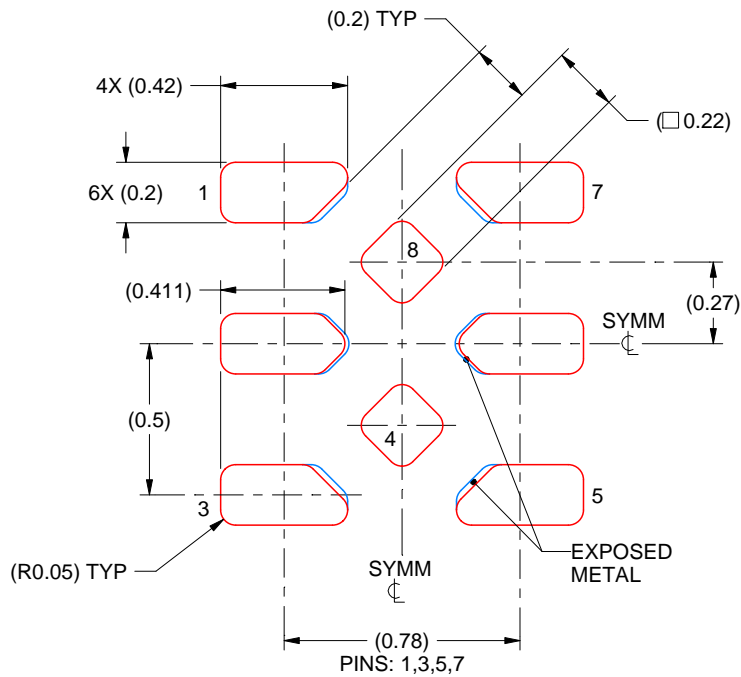
- This package is designed to be soldered to a thermal pad on the board. For more information, see Texas Instruments literature number SLUA271 (www.ti.com/lit/slua271).

EXAMPLE STENCIL DESIGN

DTM0008A

X2SON - 0.4 mm max height

PLASTIC SMALL OUTLINE - NO LEAD



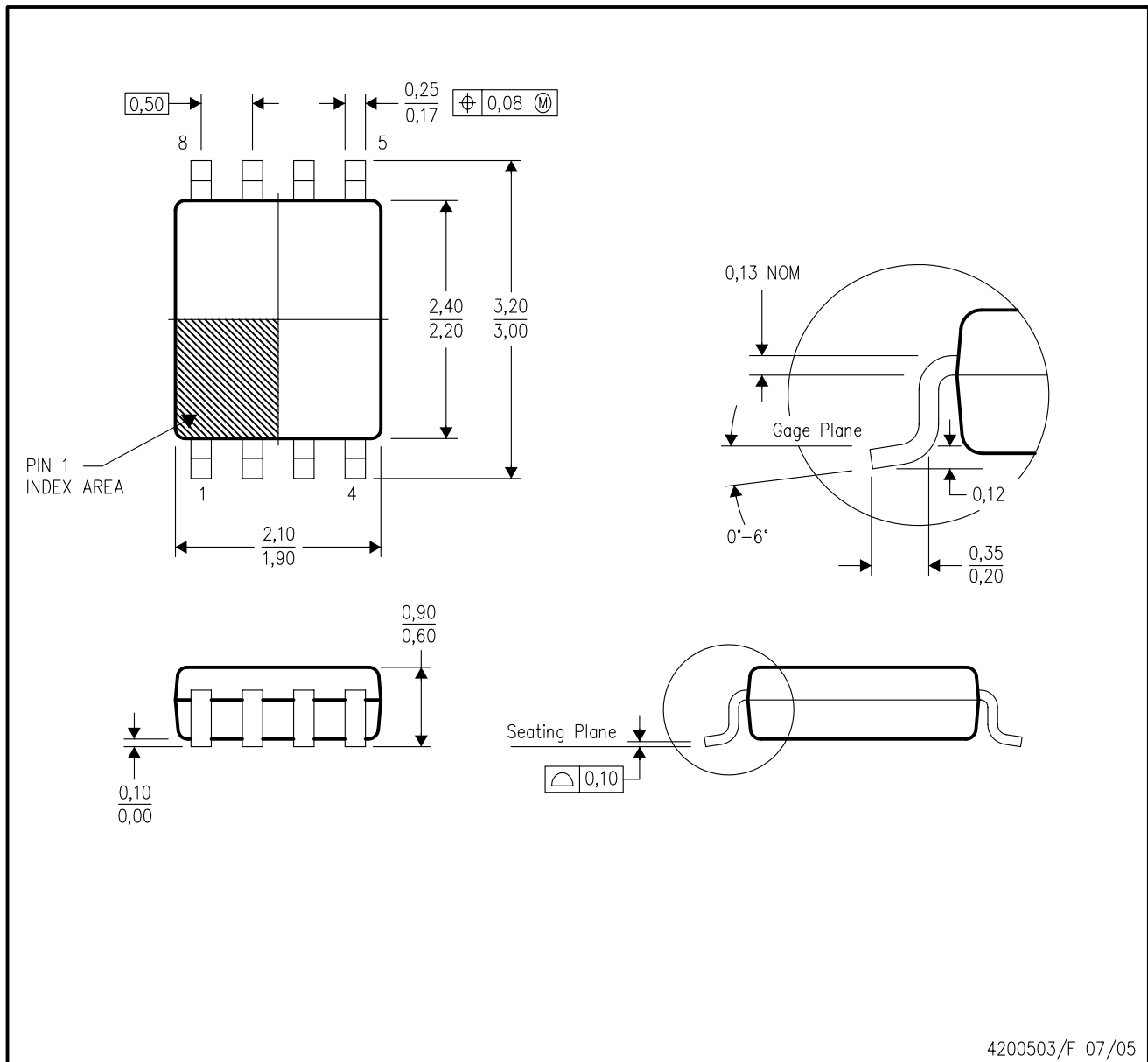
SOLDER PASTE EXAMPLE
BASED ON 0.075 mm THICK STENCIL
SCALE: 40X

4224755/A 01/2019

5. Laser cutting apertures with trapezoidal walls and rounded corners may offer better paste release. IPC-7525 may have alternate design recommendations.

DCU (R-PDSO-G8)

PLASTIC SMALL-OUTLINE PACKAGE (DIE DOWN)



- NOTES:
- All linear dimensions are in millimeters.
 - This drawing is subject to change without notice.
 - Body dimensions do not include mold flash or protrusion. Mold flash and protrusion shall not exceed 0.15 per side.
 - Falls within JEDEC MO-187 variation CA.

IMPORTANT NOTICE AND DISCLAIMER

TI PROVIDES TECHNICAL AND RELIABILITY DATA (INCLUDING DATASHEETS), DESIGN RESOURCES (INCLUDING REFERENCE DESIGNS), APPLICATION OR OTHER DESIGN ADVICE, WEB TOOLS, SAFETY INFORMATION, AND OTHER RESOURCES "AS IS" AND WITH ALL FAULTS, AND DISCLAIMS ALL WARRANTIES, EXPRESS AND IMPLIED, INCLUDING WITHOUT LIMITATION ANY IMPLIED WARRANTIES OF MERCHANTABILITY, FITNESS FOR A PARTICULAR PURPOSE OR NON-INFRINGEMENT OF THIRD PARTY INTELLECTUAL PROPERTY RIGHTS.

These resources are intended for skilled developers designing with TI products. You are solely responsible for (1) selecting the appropriate TI products for your application, (2) designing, validating and testing your application, and (3) ensuring your application meets applicable standards, and any other safety, security, or other requirements. These resources are subject to change without notice. TI grants you permission to use these resources only for development of an application that uses the TI products described in the resource. Other reproduction and display of these resources is prohibited. No license is granted to any other TI intellectual property right or to any third party intellectual property right. TI disclaims responsibility for, and you will fully indemnify TI and its representatives against, any claims, damages, costs, losses, and liabilities arising out of your use of these resources.

TI's products are provided subject to TI's Terms of Sale (www.ti.com/legal/termsofsale.html) or other applicable terms available either on ti.com or provided in conjunction with such TI products. TI's provision of these resources does not expand or otherwise alter TI's applicable warranties or warranty disclaimers for TI products.

Mailing Address: Texas Instruments, Post Office Box 655303, Dallas, Texas 75265
Copyright © 2020, Texas Instruments Incorporated