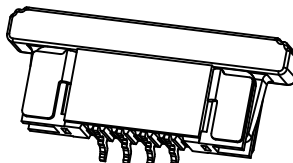
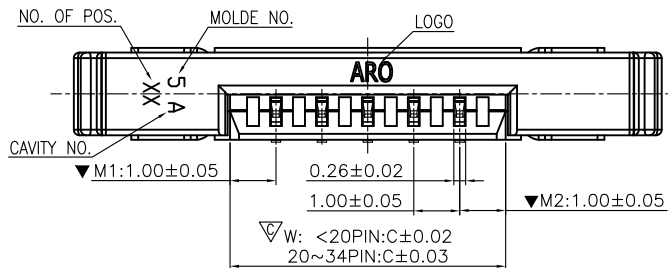


This document is the property of Amphenol Aorora Corporation and is delivered on the express condition that it is not to be disclosed, reproduced or used, in whole or in part, for manufacture or sale by anyone other than Amphenol Aorora Corporation without its prior consent, & that no right is granted to disclose or to use any information in this document.

REV.	ECR/ECN No.	DESCRIPTION	DRAWN/DATE	CHECKED/DATE	APPROVED/DATE
A	/	New Version	May 2014-12-24	Rain 2014-12-24	Hongkui.liu 2014-12-24



3D VIEW.

NO.	COMPONENTS	MATERIALS	SPECIFICATION:FINISH/COLOR	QTY.
1	SLIDER	GLASS FILLED PA9T, UL94V-0	BLACK	1
2	HOUSING	GLASS FILLED LCP, UL94V-0	NATURAL	1
3	ANCHOR-PLATE	BRASS, T=0.20mm	SURFACE PLATING:2~5 um Sn UNDER PLATING:1~3 um Ni	2
4	CONTACT	PHOSPHOR BRONZE, T=0.20mm	SURFACE PLATING:SEE "NOTE" UNDER PLATING:1~3 um Ni	N

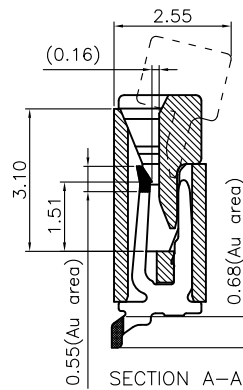
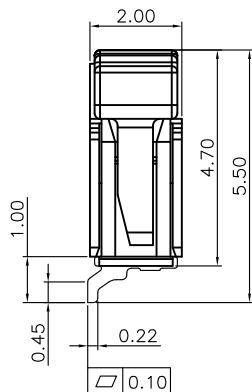
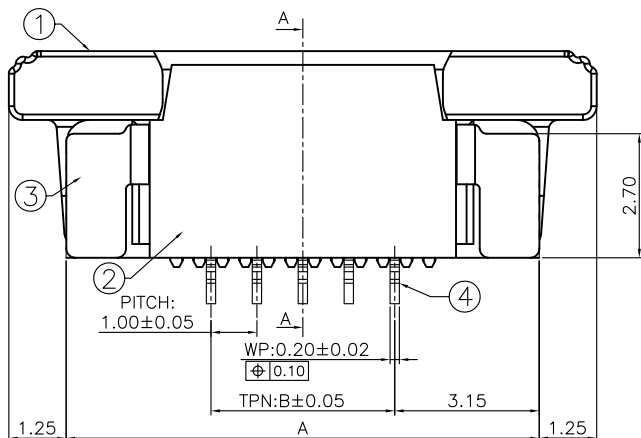
NOTE:
 1.ALL MATERIAL MUST BE COMPLY WITH SS-00259 OR RoHS.
 2."▼" MARK IS IMPORTANT DIMENSIONS
 3."△" MARK IS CPK AND X-R DIMENSION
 4.PART NO. LEGEND:
 F52R-1A**1-110** NO. OF POSITIONS
 1A:LCP NATURAL 7H:PHOSPHOR BRONZE 0.05um MIN Au(Au Area)
 7A:PHOSPHOR BRONZE MATTER TIN

1A:LCP NATURAL

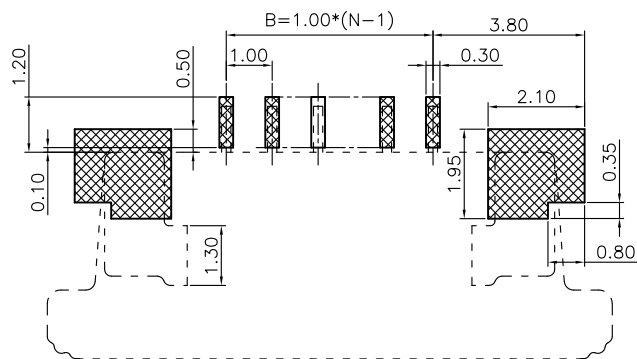
7H:PHOSPHOR BRONZE 0.05um MIN Au(Au Area)
 7A:PHOSPHOR BRONZE MATTER TIN

DIMENSION LIST:

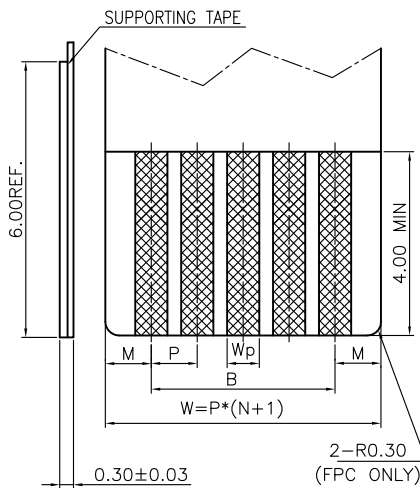
NO. OF POS.	A	B	C	NO. OF POS.	A	B	C
4	9.30	3.00	5.00	20	25.30	19.00	21.01
5	10.30	4.00	6.00	21	26.30	20.00	22.01
6	11.30	5.00	7.00	22	27.30	21.00	23.01
7	12.30	6.00	8.00	23	28.30	22.00	24.01
8	13.30	7.00	9.00	24	29.30	23.00	25.01
9	14.30	8.00	10.00	25	30.30	24.00	26.01
10	15.30	9.00	11.00	26	31.30	25.00	27.01
11	16.30	10.00	12.00	27	32.30	26.00	28.01
12	17.30	11.00	13.00	28	33.30	27.00	29.01
13	18.30	12.00	14.00	29	34.30	28.00	30.01
14	19.30	13.00	15.00	30	35.30	29.00	31.01
15	20.30	14.00	16.00	31	36.30	30.00	32.01
16	21.30	15.00	17.00	32	37.30	31.00	33.01
17	22.30	16.00	18.00	33	38.30	32.00	34.01
18	23.30	17.00	19.00	34	39.30	33.00	35.01
19	24.30	18.00	20.00				



SECTION A-A



P.C.B LAYOUT(REFERENCE)



APPLICABLE FPC/FFC

	FPC	FFC
M	1.0±0.05	1.0±0.05
P	1.0±0.03	1.0±0.03
B	B±0.05	B±0.05
W	W±0.05	W±0.05
Wp	0.75±0.03	0.70±0.03

UNLESS OTHERWISE SPECIFIED TOLERANCES	
X.	±0.50
X.X	±0.30
X.XX	±0.20
X.XXX	±0.10
X.	° ± 1'
X.X	° ± 0.5'
X.XX	° ± 0.5'
X.XXX	° ± 1'

ANGLE OF PROJECTION	
DOC TYPE	Customer Drw
DRAWN DATE	May 2014-12-24
DESIGN DATE	May 2014-12-24
CHECKED DATE	Rain 2014-12-24
APPROVED DATE	Hongkui.liu 2014-12-24



Amphenol Aorora Technology (Huizhou) Co.,Ltd

TITLE: FPC P1.0 CONN ZIF R/A TYPE SMT(BOTTOM CONTACT)

SIZE	DWG NO.	REV.
A4	A-S0244	A

SCALE	1:1	UNIT : mm	SHEET 1 OF 1
-------	-----	-----------	--------------