

PRODUCT NUMBER

98464-X61-XX-XXXLF

PLATING
S = 0.38µm GOLD/GXT ON CONTACT AREA
2µm MIN MATTE TIN ON TAIL

G = 0.76µm GOLD/GXT ON CONTACT AREA
2µm MIN MATTE TIN ON TAIL

F = GOLD FLASH ON CONTACT AREA
2µm MIN MATTE TIN ON TAIL

T = 2.0-5.0µm TIN FULL PLATED
1.27µm Ni MIN UNDERPLATING

- RoHS COMPATIBLE, SEE NOTE 8
- POLARIZATION (SEE NOTE 7)
- PACKAGING OPTIONAL LETTER (SEE NOTE 5)
- TOTAL NB OF POSITIONS, 04 TO 50
- COLOR OPTION, NOTE 1

NOTES:

1. MATERIAL HOUSING: HIGH TEMP. THERMOPLASTIC UL 94V-0
 - = STANDARD COLOR CREAM
 - B = OPTIONAL COLOR BLACK
2. MATERIAL TERMINAL: COPPER ALLOY
3. TO DETERMINE DIMENSIONS:
N = NUMBER OF POSITIONS PER ROW
4. 7N MIN. PIN RETENTION IN EITHER DIRECTION.
5. PACKAGING:
 - = STANDARD PACKAGING IN POLYBAGS
 - = POLYBAGS WHEN POLARISATION FEATURE APPLICABLE
 - U = TUBE AVAILABLE FROM 06 TO 50 POS

6. DIM "C" = (N x 2.00) + 1.4
EXAMPLE : N = 7
DIM "C" = (7 x 2.00) + 1.4 = 15.4mm

7. FOR POLARIZATION, SPECIFIED PIN
EXAMPLE: A03= ROW A, POSITION 03 TO OMIT PIN
OMIT FROM PRODUCT NUMBER IF THIS FEATURE IS NOT APPLICABLE

8. RoHS COMPATIBLE PRODUCT SPECIFICATIONS

a - PLATING:

- "LF" MEANS THE PRODUCT IS LEAD-FREE,
2µm MINIMUM MATTE TIN OVER 1.27µm
MINIMUM NICKEL UNDERPLATE.

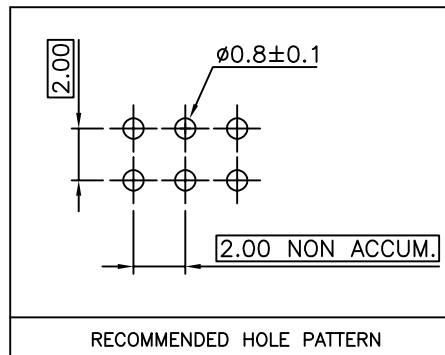
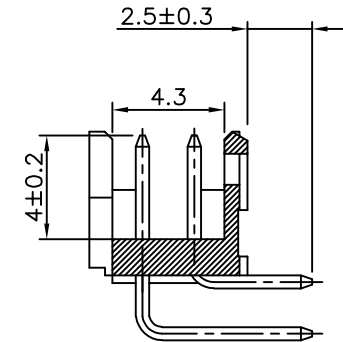
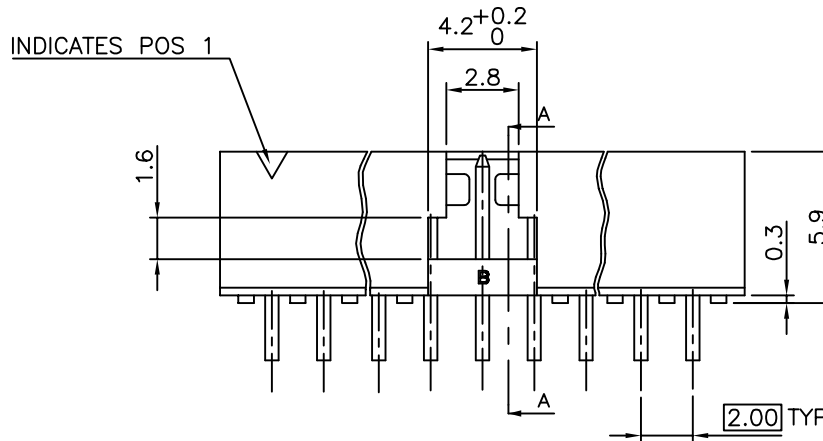
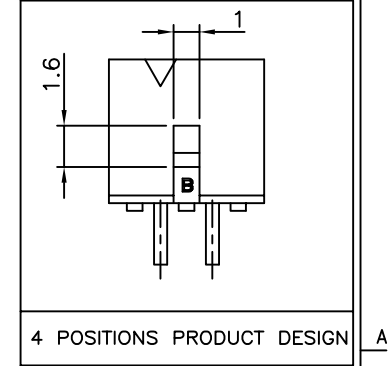
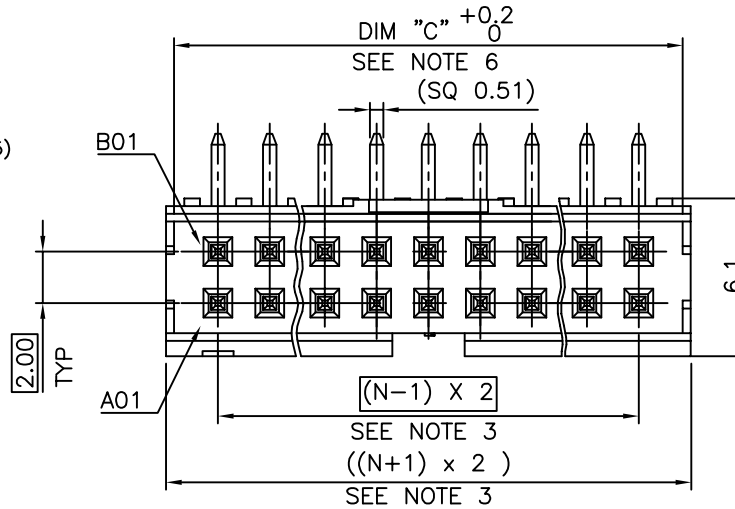
b - MANUFACTURING PROCESS COMPATIBILITY

- THE HOUSING WILL WITHSTAND EXPOSURE TO
260°C ±5°C SOLDER BATH TEMPERATURE FOR
5 SECONDS IN A WAVE SOLDER APPLICATION
WITH A 1.6mm MIN THICK CIRCUIT BOARD.

- ALSO COMPATIBLE WITH REFLOW PROCESS
260°C PEAK TEMPERATURE FOR 30 SECONDES
MAX IN A CONVECTION, INFRA-RED OR VAPOR
PHASE OR REFLOW OVEN.

c - LABELLING:

- MEETS PACKAGING SPECS AS PER GS-14-920
- d - THIS PRODUCT MEETS EUROPEAN DIRECTIVES
AND OTHER COUNTRY REGULATIONS AS DISCRIBED
IN GS-47-0004



mat'l. code SEE NOTES				surface ISO 1302	tolerance ISO 406 ISO 1101	projection mm	product family MINITEK
ltr	ecn no	dr	date	tolerances unless otherwise specified		mm	title SHR HEADER 2.00 RIGHT ANGLE TMT
L	B-15815	JCO	13.09.11	angles	X.X ±0.3		
M	B-19190	LMU	14.10.24	linear	X.XX ±0.13	scale 1:1	sheet 1 of 1 size A3
N	B-19797	AMA	14.12.16		X.XXX ±0.05		
P	B-19988	LMU	15.01.13	dr	L.MULIN 04.09.27	FCJ	dwg no 98464
R	B-20254	LMU	15.02.16	engr	J.COMPAGNON 04.09.27		
S	F-32710	LMU	19.02.18	chr			
T	F-34292	LMU	22.07.19	appd	J.M.C 04.09.27		
sheet index	revision sheet					type CUSTOMER Drawing	