



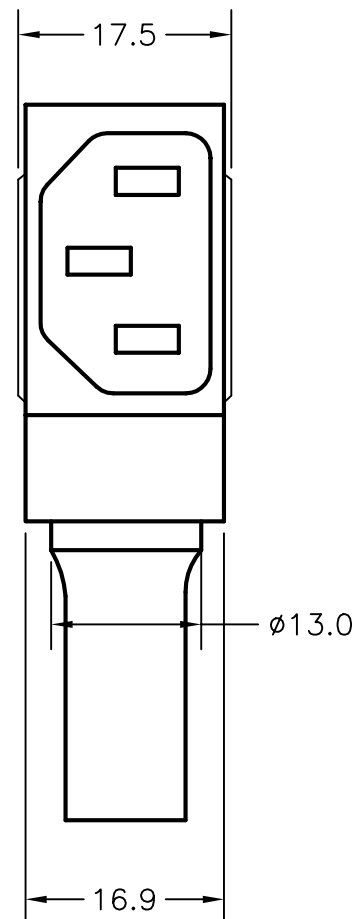
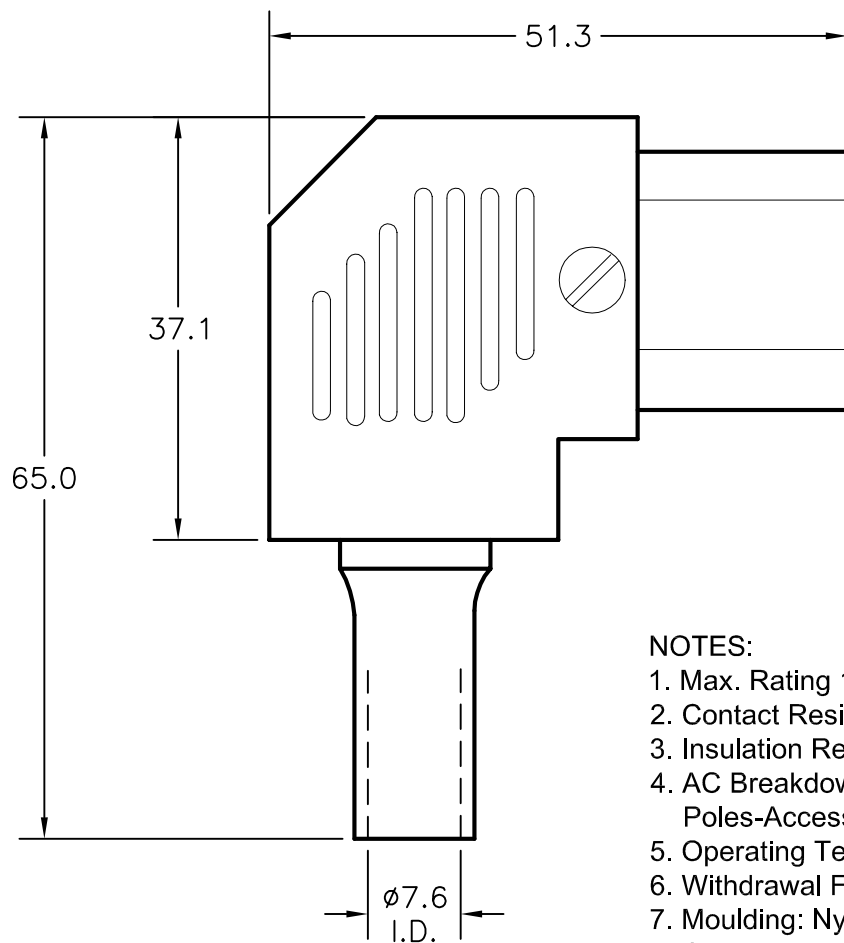
ALL RIGHTS RESERVED. NO PORTION OF THIS PUBLICATION, WHETHER IN WHOLE OR IN PART CAN BE REPRODUCED WITHOUT THE EXPRESS WRITTEN CONSENT OF SPC TECHNOLOGY.

SPC-F005.DWG

REVISIONS

DOC. NO. SPC-F005 * Effective: 7/8/02 * DCP No: 1398

DCP #	REV	DESCRIPTION	DRAWN	DATE	CHECKD	DATE	APPRVD	DATE
666	A	RELEASED	JWM	3/3/03	HO	3/3/03	JC	3/3/03



NOTES:

1. Max. Rating 10A, 250VAC
2. Contact Resistance: <10 milliohms
3. Insulation Resistance: >1000 Megohms
4. AC Breakdown: Pole-Pole 4.5 KV
Poles-Accessible Parts 4KV
5. Operating Temperature: -40°C ~ 70°C
6. Withdrawal Force: 10N (Min), 50N (Max)
7. Moulding: Nylon, rated UL94V-0
8. Contacts: Brass, Nickel Plated
9. Designed for 18 AWG wire

DISCLAIMER:
ALL STATEMENTS AND TECHNICAL INFORMATION CONTAINED HEREIN ARE BASED UPON INFORMATION AND/OR TESTS WE BELIEVE TO BE ACCURATE AND RELIABLE. SINCE CONDITIONS OF USE ARE BEYOND OUR CONTROL, THE USER SHALL DETERMINE THE SUITABILITY OF THE PRODUCT FOR THE INTENDED USE AND ASSUME ALL RISK AND LIABILITY WHATSOEVER IN CONNECTION THEREWITH.

TOLERANCES:
UNLESS OTHERWISE SPECIFIED, DIMENSIONS ARE FOR REFERENCE PURPOSES ONLY.

DRAWN BY:	DATE:
Jeff McVicker	3/3/03
CHECKED BY:	DATE:
Hisham Odish	3/3/03
APPROVED BY:	DATE:
John Cole	3/3/03

DRAWING TITLE: Rewirable Plug Assembly			
SIZE A	DWG. NO. SPC4630	ELECTRONIC FILE 84N1431.dwg	REV A
SCALE: NTS	U.O.M.: Millimeters	SHEET: 1 OF 1	