

Micro Switch

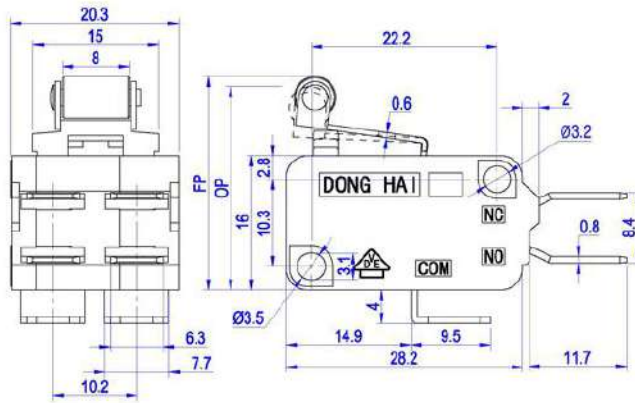
Q-10201

type: MSW-07
[KW3-OZ-2]
[KK-16D-12R0]

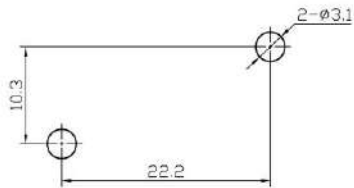
SPECIFICATIONS

Rating: 16A 125/250V AC
Contact R: 20mΩ max
Insulation R: 500V DC 100MΩ min
Dielectric Strength: 1 Minute 1500V AC
Operating Temperature: -25°C ~ +85°C
Electrical Life: 100,000 Cycles

Outline Drawing



Mounting



Circuitry

