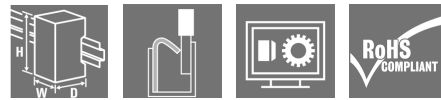


UR20-FBC-EIP

Weidmüller Interface GmbH & Co. KG
 Klingenbergstraße 26
 D-32758 Detmold
 Germany

www.weidmueller.com

Product image



More performance. Simplified. u-remote.

Weidmüller u-remote – our innovative remote I/O concept with IP 20 which focuses purely on user benefits: tailored planning, faster installation, safer start-up, no more downtime. For considerably improved performance and greater productivity.

Reduce the size of your cabinets with u-remote, thanks to the narrowest modular design on the market and the need for fewer power-feed modules. Our u-remote technology also offers tool-free assembly, while the modular "sandwich" design and integrated web server speed up installation, both in the cabinet and machine. Status LEDs on the channel and each u-remote module enable reliable diagnosis and rapid service.

This and many other amazing ideas boost the availability of your machines and systems. And ensure smooth processes too. From planning to operation.

u-remote stands for "More Performance". Simplified

General ordering data

Version	Remote I/O fieldbus coupler, IP20, Ethernet, EtherNet/IP
Order No.	1334920000
Type	UR20-FBC-EIP
GTIN (EAN)	4050118138160
Qty.	1 pc(s).
Replacement parts	1541290000

UR20-FBC-EIP

Weidmüller Interface GmbH & Co. KG

Klingenbergstraße 26

D-32758 Detmold

Germany

www.weidmueller.com

Technical data

Dimensions and weights

Depth	76 mm	Depth (inches)	2.992 inch
Height	120 mm	Height (inches)	4.724 inch
Width	52 mm	Width (inches)	2.047 inch
Mounting dimension - height	128 mm	Net weight	223 g

Temperatures

Storage temperature	-40 °C ... +85 °C	Operating temperature	-20 °C ... +60 °C
Operating temperature, min.	-20 °C	Operating temperature, max.	60 °C

Connection data

Type of connection	PUSH IN	Wire connection cross section, finely stranded, max.	1.5 mm ²
Wire connection cross section, finely stranded, min.	0.14 mm ²	Wire cross-section, finely stranded, max. (AWG)	AWG 16
Wire cross-section, finely stranded, min. (AWG)	AWG 26	Wire cross-section, solid, max.	1.5 mm ²
Wire cross-section, solid, max. (AWG)	AWG 16	Wire cross-section, solid, min.	0.14 mm ²
Wire cross-section, solid, min. (AWG)	AWG 26		

General data

Air humidity (operation)	10% to 95%, non-condensing as per DIN EN 61131-2	Air humidity (storage)	10% to 95%, non-condensing as per DIN EN 61131-2
Air humidity (transport)	10% to 95%, non-condensing as per DIN EN 61131-2	Air pressure (operation)	≥ 795 hPa (height ≤ 2000 m) as per DIN EN 61131-2
Air pressure (storage)	1013 hPa (height 0 m) to 700 hPa (height 3000 m) as per DIN EN 61131-2	Air pressure (transport)	1013 hPa (height 0 m) to 700 hPa (height 3000 m) as per DIN EN 61131-2
Pollution severity	2	Rail	TS 35
Shock	15 g over 11 ms, half sinus wave, acc. to IEC 60068-2-27	Surge voltage category	II
Test voltage	500 V	UL 94 flammability rating	V-0
Vibration resistance	5 Hz ≤ f ≤ 8.4 Hz: 3.5-mm amplitude as per IEC 60068-2-6, 8.4 Hz ≤ f ≤ 150 Hz: 1 g acceleration as per IEC 60068-2-6		

Power supply

Current consumption from I _{sys} , typ.	112 mA						
Feed current for I _{IN} (input current path)	<table border="1"> <tr> <td>max.</td> <td>10,000 mA</td> </tr> <tr> <td>nominal</td> <td>10,000 mA</td> </tr> <tr> <td>min.</td> <td>10,000 mA</td> </tr> </table>	max.	10,000 mA	nominal	10,000 mA	min.	10,000 mA
max.	10,000 mA						
nominal	10,000 mA						
min.	10,000 mA						
Feed current for I _{IN} (input current path), max.	10 A						
Feed current for I _{OUT} (output current path)	<table border="1"> <tr> <td>nominal</td> <td>10,000 mA</td> </tr> <tr> <td>max.</td> <td>10,000 mA</td> </tr> <tr> <td>min.</td> <td>10,000 mA</td> </tr> </table>	nominal	10,000 mA	max.	10,000 mA	min.	10,000 mA
nominal	10,000 mA						
max.	10,000 mA						
min.	10,000 mA						
Feed current for I _{OUT} (output current path), max.	10 A						
Feed current for the system, max.	4 A						

Creation date January 28, 2023 7:06:47 AM CET

UR20-FBC-EIP

Weidmüller Interface GmbH & Co. KG
 Klingenbergstraße 26
 D-32758 Detmold
 Germany

www.weidmueller.com

Technical data

Supply voltage for outputs	24 V DC +20 %/ -15 %
Supply voltage system and inputs	24 V DC +20 %/ -15 %
Voltage supply	24 V DC +20 %/ -15 %, via the system bus

System data

Configuration interface	Micro USB 2.0	Connection type	2x RJ45 plug-in connectors
Diagnostic data	3,008 Byte	Field bus protocol	EtherNet/IP
Interface	u-remote system bus	Module type	Bus coupler
Parameter data	4 kByte	Process data	988 Byte
Transmission rate of field bus, max.	100 Mbit/s	Transmission speed of system bus, max.	48 Mbit/s
max. number of modules	64		

Classifications

ETIM 6.0	EC001603	ETIM 7.0	EC001603
ETIM 8.0	EC001603	ECLASS 9.0	27-24-26-07
ECLASS 9.1	27-24-26-07	ECLASS 10.0	27-24-26-07
ECLASS 11.0	27-24-26-07	ECLASS 12.0	27-24-26-07

Environmental Product Compliance

REACH SVHC	Lead 7439-92-1
SCIP	98e19a7e-033b-4e68-93e3-c47b30de875e

Approvals

Approvals



ROHS	Conform
UL File Number Search	UL Website
Certificate no. (cULus)	E141197
Certificate no. (cULusEX)	E223527

UR20-FBC-EIP

Weidmüller Interface GmbH & Co. KG

Klingenbergstraße 26

D-32758 Detmold

Germany

www.weidmueller.com

Technical data

Downloads

Approval/Certificate/Document of Conformity	Compass safe distance certificate Lloyds Register certificate DNV/GL certificate ABS certificate RINA certificate Bureau Veritas - Type Approval Certificate PRS (Polish Register of Shipping) NIPPON KAIJI KYOKAI Certificate DEMKO 15ATEX 1525X CCC certificate UKCA Declaration of Conformity - EN CE Declaration of Conformity - DE
Engineering Data	Library and function block – Beckhoff TwinCAT3 - EN - V1.1.0 Compatibility information – Combinability of UR20 Quick start guide – UR20-FBC-EIP (all variants) Quick Start Guide - Commissioning with Allen-Bradley MicroLogix 1400
Engineering Data	WSCAD, Zuken E3.S
Product Change Notification	Release-Notes - Firmware, EDS and Supported modules list
Software	Firmware – Application Note Firmwareupdate UR20 coupler EN Firmware – Application Note Firmwareupdate UR20 coupler DE Library – Language Pack UR20_FBC Firmware – Archiv Firmware files EtherNet/IP coupler HW1 Firmware – Current Firmware file EtherNet/IP coupler HW1 Device description – Archiv EDS files EtherNet/IP coupler HW1 Device description – Current EDS file EtherNet/IP coupler HW1 Firmware – Archiv Firmware files EtherNet/IP coupler HW2 Firmware – Current Firmware files EtherNet/IP coupler HW2 Device description – Archiv EDS files EtherNet/IP coupler HW2 Device description – Current EDS file EtherNet/IP coupler HW2 Driver – USB driver Software – CIP Bridging Application notes – Use of UR20 Stations above 2000m sea level
User Documentation	MAN_U-REMOTE_DE MAN_U-REMOTE_EN MAN_UR20_WEBSERVER_DE MAN_UR20_WEBSERVER_EN 20211018 Security Advisory – Remote I/O fieldbus couplers (IP20) affected by INFRA:HALT vulnerabilities 20220621 Security Advisory - EtherNet/IP Fieldbus Coupler out-of-bounds write
Catalogues	Catalogues in PDF-format

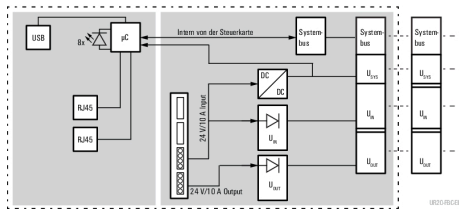
UR20-FBC-EIP

Weidmüller Interface GmbH & Co. KG
 Klingenbergstraße 26
 D-32758 Detmold
 Germany

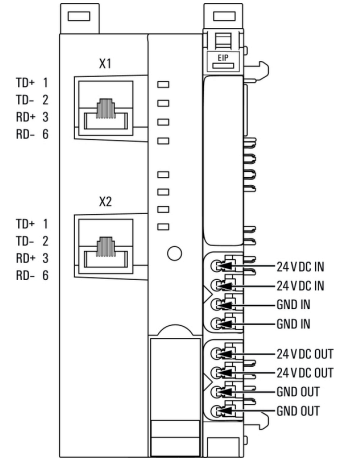
www.weidmueller.com

Drawings

Block diagram



Connection diagram



Explanation of abbreviations

Field bus coupler

