

ACT20P-VI1-CO-OLP-S

Weidmüller Interface GmbH & Co. KG
Klingenbergstraße 26
D-32758 Detmold
Germany

www.weidmueller.com

Similar to illustration**ACT20P: The flexible solution**

- Precise and highly functional signal converters
- Release levers simplify handling

General ordering data

| | |
|------------|---|
| Version | Signal converter/isolator, Output current loop powered, Input : 0-5 V, Output : 4-20 mA, (loop powered) |
| Order No. | 7760054120 |
| Type | ACT20P-VI1-CO-OLP-S |
| GTIN (EAN) | 6944 169656606 |
| Qty. | 1 pc(s). |

Creation date January 28, 2023 3:56:48 PM CET

Catalogue status 24.01.2023 / We reserve the right to make technical changes.

ACT20P-VI1-CO-OLP-S**Weidmüller Interface GmbH & Co. KG**

Klingenbergstraße 26

D-32758 Detmold

Germany

www.weidmueller.com

Technical data**Dimensions and weights**

| | | | |
|------------|----------|-----------------|------------|
| Depth | 114 mm | Depth (inches) | 4.488 inch |
| Height | 117.2 mm | Height (inches) | 4.614 inch |
| Width | 12.5 mm | Width (inches) | 0.492 inch |
| Net weight | 100 g | | |

Temperatures

| | | | |
|-----------------------------|---------------------------|-----------------------------|----------------|
| Storage temperature | -40 °C...85 °C | Operating temperature | -20 °C...60 °C |
| Operating temperature, min. | -20 °C | Operating temperature, max. | 60 °C |
| Humidity | 5...95 %, no condensation | | |

Probability of failure

| | |
|----------------------------------|------|
| SIL in compliance with IEC 61508 | None |
|----------------------------------|------|

Input

| | | | |
|---------------------------|----------|---------------|----------------|
| Input resistance, voltage | ≥ 300 kΩ | Input voltage | 0...5 V DC |
| Number of inputs | 1 | Sensor | Voltage source |

Output

| | | | |
|------------------------|-------------------------|-------------------|---|
| Load impedance current | ≤ 600 Ω | Number of outputs | 1 |
| Output current | 4...20 mA, loop-powered | Type | passive, connected control must be active |

General data

| | | | |
|-------------------------|----------------------|-------------------------|---|
| Accuracy | < 0.1 % of end value | Configuration | none |
| Galvanic isolation | 2-way isolator | Long-term drift | 0 |
| Power consumption, typ. | 2 W | Rail | TS 35 |
| Step response time | ≤ 1 ms | Temperature coefficient | ≤ 100 ppm/K |
| Type of connection | Screw connection | Voltage supply | via output current loop, min. 12 V DC/ max. 30 V DC |

Insulation coordination

| | | | |
|---------------------------|--|--------------------|------------------------------------|
| EMC standards | EN 61010-1:2011, UL 61010-1, IEC61000-6-2, IEC 61000-6-4 | Galvanic isolation | 2-way isolator |
| Impulse withstand voltage | 4 kV (1.2/50 μs) | Insulation voltage | 2 kV (Input /Output), 1 min, 50 Hz |
| Pollution severity | 2 | Rated voltage | 300 V |
| Surge voltage category | III | | |

Data for Ex applications (ATEX)

| | |
|---------|------------------------|
| Marking | II 3 G Ex ec IIC T6 Gc |
|---------|------------------------|

ACT20P-VI1-CO-OLP-S**Weidmüller Interface GmbH & Co. KG**

Klingenbergstraße 26

D-32758 Detmold

Germany

www.weidmueller.com

Technical data**Connection data**

| | | | |
|---|---------------------|---|---------------------|
| Type of connection | Screw connection | Tightening torque, min. | 0.4 Nm |
| Tightening torque, max. | 0.6 Nm | Clamping range, rated connection | 2.5 mm ² |
| Clamping range, min. | 0.5 mm ² | Clamping range, max. | 2.5 mm ² |
| Wire connection cross section AWG, min. | AWG 26 | Wire connection cross section AWG, max. | AWG 12 |

Classifications

| | | | |
|-------------|-------------|-------------|-------------|
| ETIM 6.0 | EC002653 | ETIM 7.0 | EC002653 |
| ETIM 8.0 | EC002653 | ECLASS 9.0 | 27-21-01-20 |
| ECLASS 9.1 | 27-21-01-20 | ECLASS 10.0 | 27-21-01-20 |
| ECLASS 11.0 | 27-21-01-20 | ECLASS 12.0 | 27-21-01-20 |

Environmental Product Compliance

| | |
|------------|--------------------------------------|
| REACH SVHC | Lead 7439-92-1 |
| SCIP | 2f6dd957-421a-46db-a0c2-cf1609156924 |

Important note

| | |
|---------------------|--|
| Product information | <p>The ACT20P-VIX-CO-OLP-S single-channel fixed passive isolator isolates and converts analogue standard signals. An analogue input voltage signal is linearly converted into an analogue output current signal and galvanically isolated. The device is powered via the output current loop.</p> <p>Features</p> <ul style="list-style-type: none"> • 2-way galvanic isolation between input and output. |
|---------------------|--|

Approvals

Approvals



| | |
|---------------------------|------------|
| ROHS | Conform |
| UL File Number Search | UL Website |
| Certificate No. (cURusEX) | E338066 |
| Certificate no. (cULus) | E469563 |

Downloads

| | |
|---|--|
| Approval/Certificate/Document of Conformity | ATEX Certification IECEx Certification UL Certification (hazardous location) UL Certification (US-CAN) Declaration of Conformity |
| Engineering Data | CAD data – STEP |
| User Documentation | Instruction sheet |
| Catalogues | Catalogues in PDF-format |

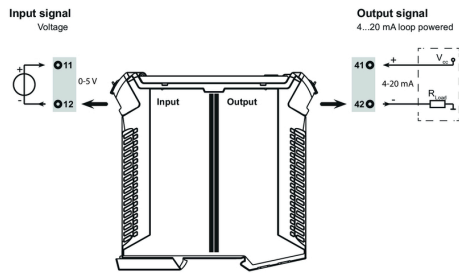
ACT20P-VI1-CO-OLP-S

Weidmüller Interface GmbH & Co. KG
 Klingenbergstraße 26
 D-32758 Detmold
 Germany

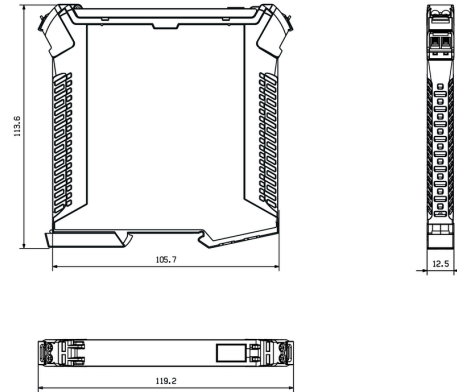
www.weidmueller.com

Drawings

Connection diagram



Dimensioned drawing



ACT20P-VI1-CO-OLP-S

Weidmüller Interface GmbH & Co. KG
Klingenbergstraße 26
D-32758 Detmold
Germany

www.weidmueller.com

Accessories**Blank**

ESG is the tried-and-tested marker in MultiCard format for use on many well-known electrical devices. The result is high-quality device marking with a high-contrast appearance.

Various types are available for devices from manufacturers like Siemens, ABB, Beckhoff etc. Advantages at a glance:

- Tags for universal usage, self-adhesive or clip-on tags, depending on type
- For aligned equipment, e.g. circuit breakers, we supply ESG markers for clipping onto tag rails
- Individual laser-quality printing according to specifications

For custom printing: Please send us a file of our labeling software M-Print PRO or M-Print PRO Online (without installation) for your labeling specifications.

General ordering data

| | | |
|------------|----------------------------|---|
| Type | ESG 6.6/11 BHZ 5.00/02 | Version |
| Order No. | 1082490000 | ESG, Device markers x 11 mm, PA 66, Colour: white |
| GTIN (EAN) | 4032248845330 | |
| Qty. | 200 pc(s). | |

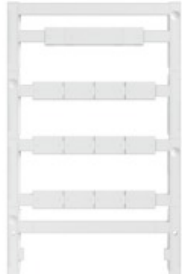
ACT20P-VI1-CO-OLP-S

Weidmüller Interface GmbH & Co. KG
 Klingenbergstraße 26
 D-32758 Detmold
 Germany

www.weidmueller.com

Accessories

Blank



ESG is the tried-and-tested marker in MultiCard format for use on many well-known electrical devices. The result is high-quality device marking with a high-contrast appearance.

Various types are available for devices from manufacturers like Siemens, ABB, Beckhoff etc. Advantages at a glance:

- Tags for universal usage, self-adhesive or clip-on tags, depending on type
- For aligned equipment, e.g. circuit breakers, we supply ESG markers for clipping onto tag rails
- Individual laser-quality printing according to specifications

For custom printing: Please send us a file of our labeling software M-Print PRO or M-Print PRO Online (without installation) for your labeling specifications.

General ordering data

| | | |
|------------|----------------------------|---|
| Type | ESG 8/13.5/43.3 SAI AU | Version |
| Order No. | 1912130000 | ESG, Device markers x 13.5 mm, PA 66, Colour: Transparent |
| GTIN (EAN) | 4032248541164 | |
| Qty. | 5 pc(s). | |