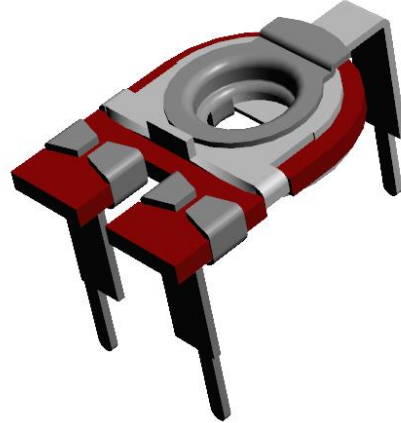


TVP-12 series

Characteristic

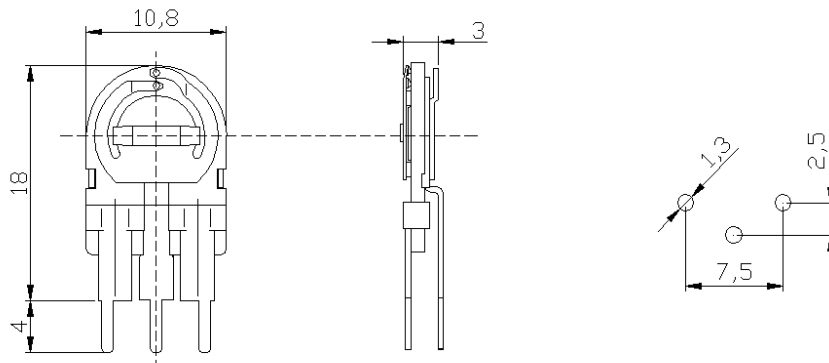
TVP-12 series trimming potentiometers are used as regulatory and adjustable elements, with a carbon resistive element. Potentiometers have a linear characteristic of regulation, and are made in a two mounting types. Potentiometers with 5% and 10% resistance of tolerance are available on request.



<u>Parameter</u>		<u>Value</u>
Nominal resistance		E3 series
Range of available resistances		100Ω ... 1MΩ
Resistance tolerance	R ≤ 220 kΩ	±20%
	R > 220 kΩ	±30%
Max. dissipation power P _n (T = 40°C)		0,1 W
Max. load at category temperature		25% P _n
Max. operating voltage		150 V
Temperature coefficient of resistance		±300 x 10 ⁻⁶ /K
Climatic category		25/070/10

Dimensions

TVP1232 ... // version for vertical mounting



TELPOD S.A.

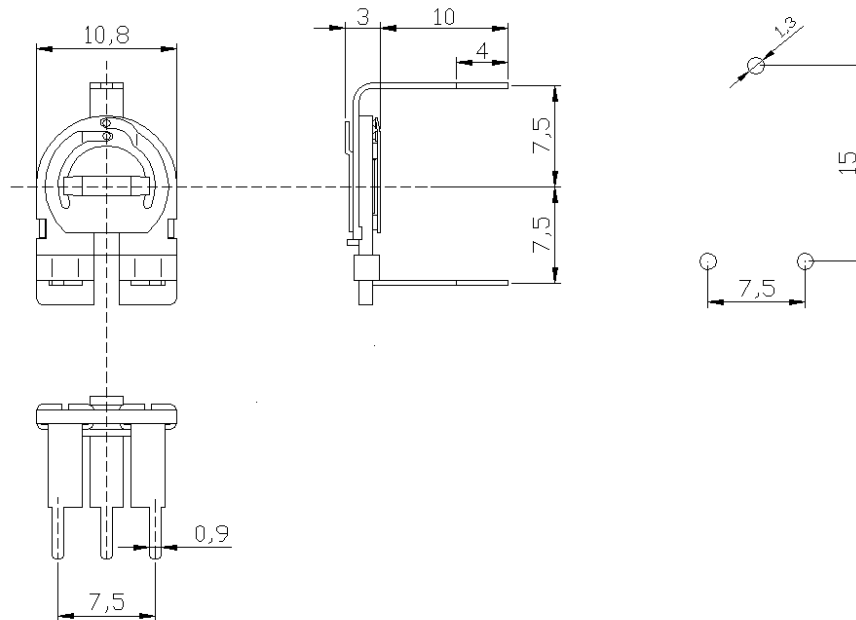
str. Pilsudskiego 63A
32-050 Skawina
www.telpod.pl

Technical division: +48 (0)12 257 10 12
Sales division: +48 (0)12 257 10 35
fax: +48 (0)12 257 10 13
e-mail: potentiometer@telpod.pl

date: 04 / 2015
Copyright 2015 by Telpod

TVP-12 series

TVP1212 // version for horizontal mounting



TELPOD S.A.

str. Pilsudskiego 63A
32-050 Skawina
www.telpod.pl

Technical division: +48 (0)12 257 10 12
Sales division: +48 (0)12 257 10 35
fax: +48 (0)12 257 10 13
e-mail: potentiometer@telpod.pl

date: 04 / 2015
Copyright 2015 by Telpod