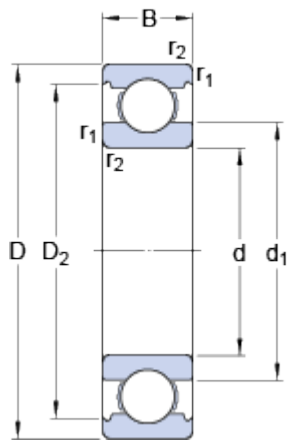


# 6303

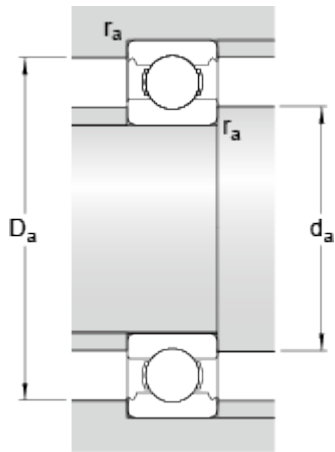
SKF Explorer

## Dimensions



$d$		17	mm
$D$		47	mm
$B$		14	mm
$d_1$	≈	26.52	mm
$D_2$	≈	39.58	mm
$r_{1,2}$	min.	1	mm

## Abutment dimensions



$d_a$	min.	22.6	mm
$D_a$	max.	41.4	mm
$r_a$	max.	1	mm

## Calculation data

Basic dynamic load rating	$C$	14.3	kN
Basic static load rating	$C_0$	6.6	kN
Fatigue load limit	$P_u$	0.275	kN
Reference speed		34000	r/min
Limiting speed		22000	r/min
Calculation factor	$k_r$	0.03	
Calculation factor	$f_0$	12	

## Mass

Mass bearing		0.112	kg
--------------	--	-------	----