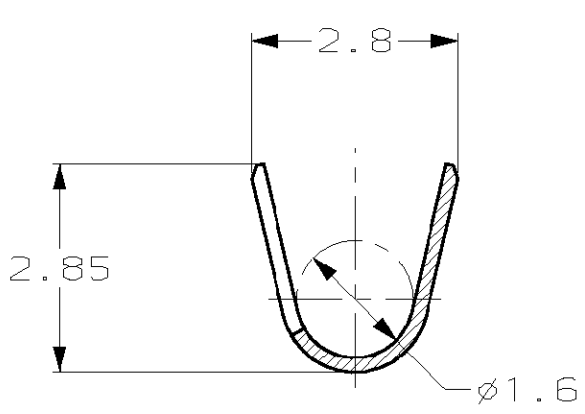
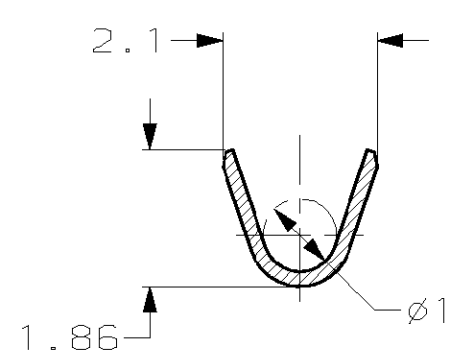
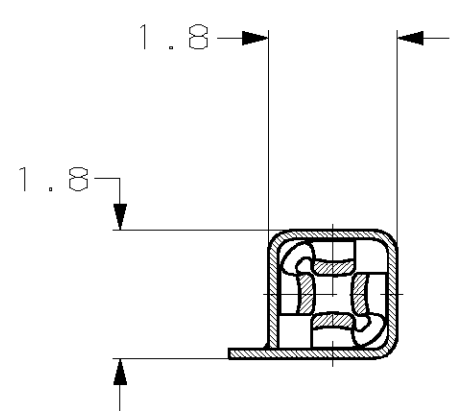
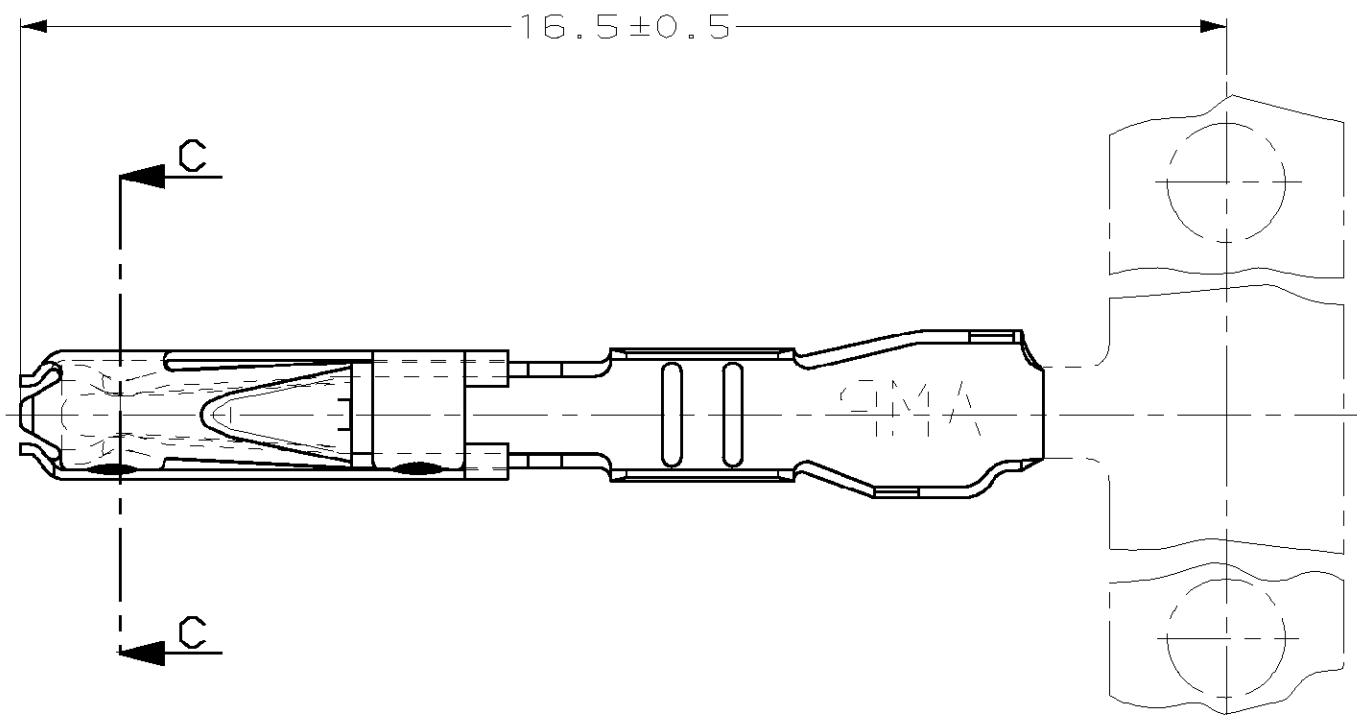
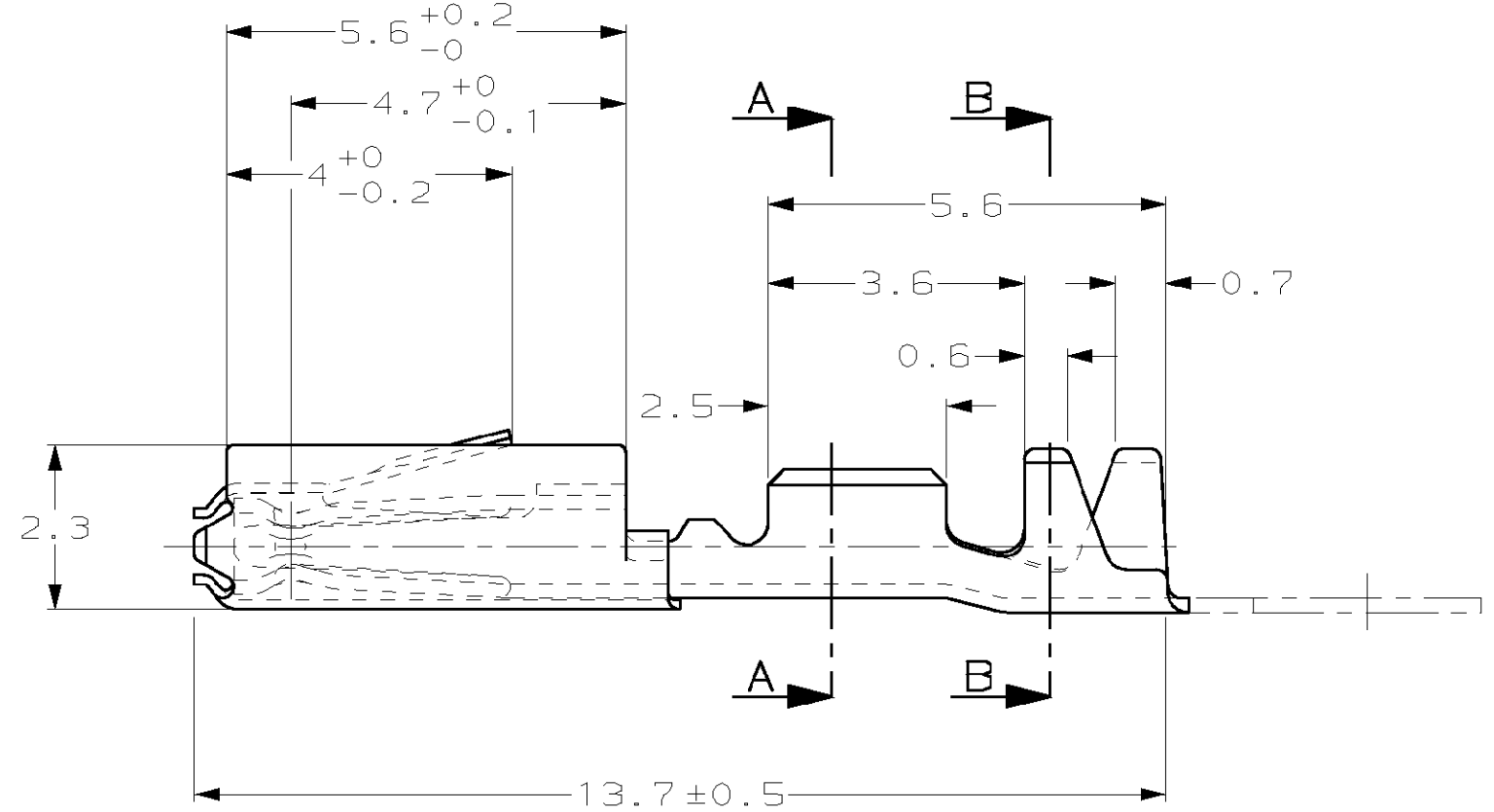


THIS DRAWING IS UNPUBLISHED. RELEASED FOR PUBLICATION .19
 BY AMP INCORPORATED. ALL RIGHTS RESERVED. (C) COPYRIGHT 19

LOC	DIST	REVISIONS			
P	LTR	DESCRIPTION	DATE	DWN	APVD
	A	REVISED PER EC00-7417-98	17-FEB-98	MP	JL
	B	ADDED DESIGN OF PN 144969-2 AND REMOVAL SHEET 2/2	14-DEC-01	MP	JL

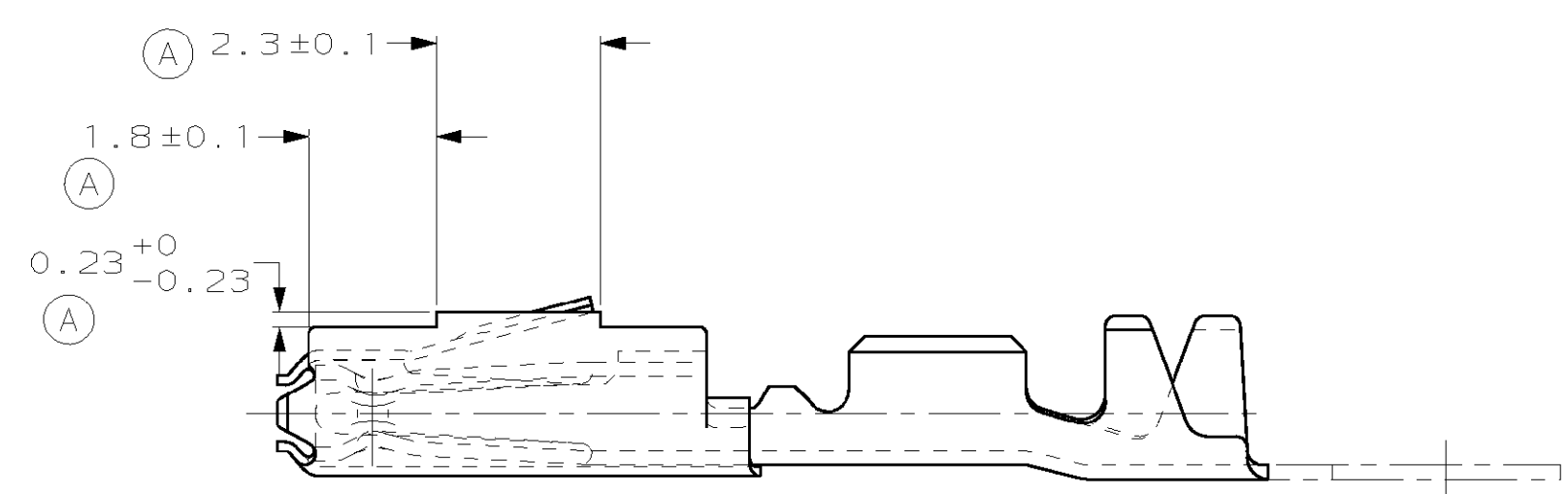


SECTION CC

SECTION AA

SECTION BB

144969-2 AS SHOWN



FOR PN 144969-1 AND -3
 SAME DIMENSIONS AND DESIGN
 AS 144969-2 EXCEPTED AS SHOWN.

PART NUMBER	4 CONTACT POINTS	AR. CAGE INOX SPRING	CRIMP AREA
144969-3	Au 0.4 to 0.8µm	Sn 0.8 to 3.3 µm	Sn 0.8 to 3.3 µm
144969-2	Au 0.4 to 0.8µm	Au 0.4 to 0.8µm	Sn 0.8 to 3.3 µm
144969-1	Sn 0.8 to 2µm pretinned	Sn 0.8 to 2µm pretinned	Sn 0.8 to 2µm pretinned

THIS DRAWING IS A CONTROLLED DOCUMENT.		DWN: D.ELISEI 18-NOV-93	AMP DE FRANCE 95301 PONTOISE	
DIMENSIONS: mm		CHK: J.LALANGE 24-SEP-98	AMP	
TOLERANCES UNLESS OTHERWISE SPECIFIED:		APVD: J.J.REVIL 24-SEP-98	AMP DE FRANCE 95301 PONTOISE	
0-FLC ±		PRODUCT SPEC: 108-18030	CLIP MQS A SERTIR (0.2-0.6mm2)	
1-FLC ±0.2		APPLICATION SPEC: 114-15077	MQS RECEPTACLE WITH BARRIER-CRIMP VERSION	
2-FLC ±		WEIGHT: 0.2g	SIZE: A2	CAGE CODE: 00709
3-FLC ±		MATERIAL: VOIR TABLEAU	DRAWING NO: 144969	RESTRICTED TO: -
4-FLC ±		VOIR TABLEAU	CUSTOMER DRAWING	SCALE: 10:1
ANGLES ±5°		SHEET 1 OF 1 REV B		
FINISH		SHEET 1 OF 1 REV B		