

Two-volume handles



• Material

High resilience polypropylene based (PP) technopolymer, coated with "soft-touch" thermoplastic elastomer (TPE) chemically bonded, hardness 70 Shore A.

The coating material is certified in compliance with FDA (U.S. Food and Drug Administration).

Resistant to solvents, oils, greases and other chemical agents.

• Colour

Black, matte finish.

• Standard executions

- **EBK-B-SOFT**: brass boss, threaded blind hole.
- **EBK-p-SOFT**: zinc-plated steel threaded stud, chamfered flat end UNI 947 : ISO 4753 (see Technical data).

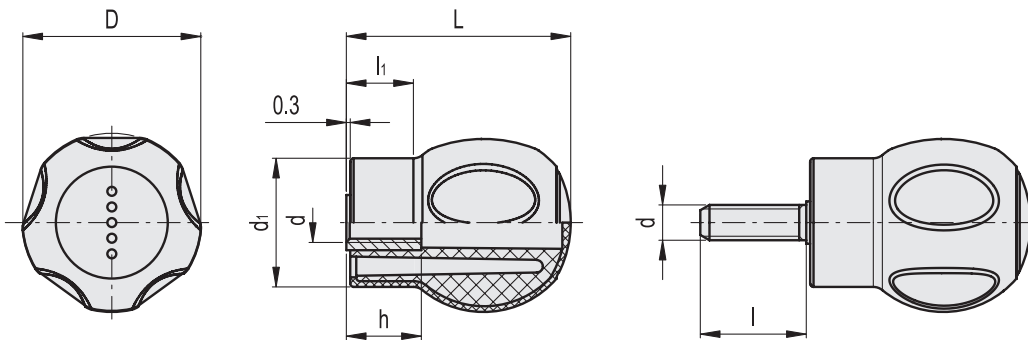
Features and applications

The coating, with "soft-touch" elastomer, improves the grip even in the presence of oils, greases and sweat from the hand. For this reason it is suitable for fitness machines, tools and machines for gardening and goods transport, high-precision instruments and disability aids.



EBK-B-SOFT

EBK-p-SOFT



EBK-B-SOFT

Code	Description	D	L	d _{6H}	d ₁	h	l ₁	⚖️
245103-C1	EBK.43 B-M8-SOFT-C1	43	55	M8	32.5	10	17.5	72
245105-C1	EBK.43 B-M10-SOFT-C1	43	55	M10	32.5	10	17.5	71
245203-C1	EBK.50 B-M8-SOFT-C1	50	64	M8	37	20	20	86
245205-C1	EBK.50 B-M10-SOFT-C1	50	64	M10	37	20	20	83
245207-C1	EBK.50 B-M12-SOFT-C1	50	64	M12	37	20	20	79

EBK-p-SOFT

Code	Description	D	L	d _{6g}	d ₁	l	l ₁	⚖️
245131-C1	EBK.43 p-M8x16-SOFT-C1	43	55	M8	32.5	16	17.5	80
245133-C1	EBK.43 p-M8x20-SOFT-C1	43	55	M8	32.5	20	17.5	81
245135-C1	EBK.43 p-M8x25-SOFT-C1	43	55	M8	32.5	25	17.5	83
245137-C1	EBK.43 p-M8x30-SOFT-C1	43	55	M8	32.5	30	17.5	85
245143-C1	EBK.43 p-M10x20-SOFT-C1	43	55	M10	32.5	20	17.5	83
245144-C1	EBK.43 p-M10x25-SOFT-C1	43	55	M10	32.5	25	17.5	86
245147-C1	EBK.43 p-M10x30-SOFT-C1	43	55	M10	32.5	30	17.5	89
245151-C1	EBK.43 p-M10x50-SOFT-C1	43	55	M10	32.5	50	17.5	98
245231-C1	EBK.50 p-M8x16-SOFT-C1	50	64	M8	37	16	20	80
245233-C1	EBK.50 p-M8x20-SOFT-C1	50	64	M8	37	20	20	86
245235-C1	EBK.50 p-M8x25-SOFT-C1	50	64	M8	37	25	20	91
245237-C1	EBK.50 p-M8x30-SOFT-C1	50	64	M8	37	30	20	97
245243-C1	EBK.50 p-M10x20-SOFT-C1	50	64	M10	37	20	20	110
245244-C1	EBK.50 p-M10x25-SOFT-C1	50	64	M10	37	25	20	116
245247-C1	EBK.50 p-M10x30-SOFT-C1	50	64	M10	37	30	20	122
245251-C1	EBK.50 p-M10x50-SOFT-C1	50	64	M10	37	50	20	143