

SE Plug Housings

Plug Enclosure System



For Finishing Services, Product Support, or to Order

Call 1-301-696-9800

SE Plug Housings



SE – the functional, low-cost plug or socket enclosure system. **Eight basic dimensions** are available. This enclosure programme comprises six country-specific plugs and four different sockets.

Because of their compactness and the integrated cable inlets, the enclosures in the SE 510/520 series are especially suitable for use as transformer mains power units.



Enclosure material: Series SE 4...:
PC/ABS blend,
flame-resistant.
Series SE 5...:
flame-resistant
polyamide PA6.6 FR;
for technical data
see pages 646-650.

Colour: Series SE 4...:
lid light grey, simi-
lar to RAL 7035;
base graphite grey,
similar to RAL 7024.
Series SE 5...:
black, similar
to RAL 9005;
special colours on
request.

Ingress protection:
IP 40/DIN EN 60529
IP 30 (enclosures with ventilation)

Scope of delivery:
Lid and base, fixing screws, including
connector pins/socket inserts depend-
ing on type.

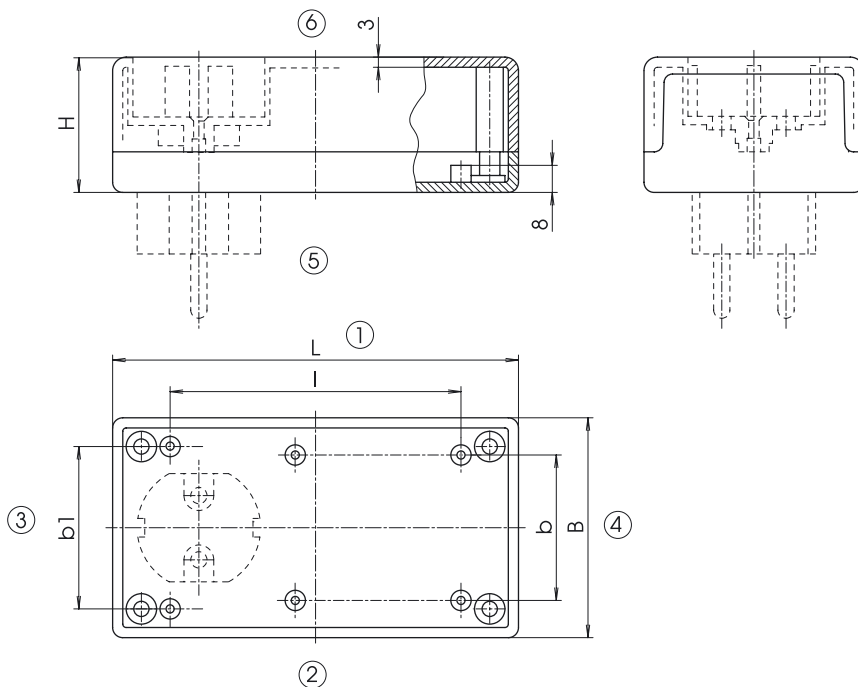
Note:
Series SE 5...:
Tested to VDE 0624/IEC 884.
Minimum order quantities 500+.

Plug enclosures

| Model | EU | E/CEE SEV | E-US | L | W | H | I | b | b1 |
|-----------|----|-----------|------|-------|------|------|------|------|------|
| SE 406... | - | X | - | 65.0 | 50.0 | 30.0 | 32.0 | 33.0 | 33.0 |
| SE 408... | - | X | - | 65.0 | 50.0 | 45.0 | 32.0 | 33.0 | 33.0 |
| SE 410... | - | X | X | 100.0 | 50.0 | 25.0 | 66.0 | 28.0 | 33.0 |
| SE 420... | X | X | X | 100.0 | 50.0 | 40.0 | 66.0 | 28.0 | 33.0 |
| SE 430... | - | X | X | 120.0 | 65.0 | 40.0 | 86.0 | 43.0 | 47.5 |
| SE 435... | - | X | X | 120.0 | 65.0 | 66.0 | 86.0 | 43.0 | 47.5 |

Plug enclosures with socket

| Model | E | E/CEE SEV | L | W | H | I | b | b1 |
|-----------|---|-----------|-------|------|------|------|------|------|
| SE 432 DE | X | X | 120.0 | 65.0 | 50.0 | 86.0 | 43.0 | 47.5 |
| SE 435 DE | X | X | 120.0 | 65.0 | 66.0 | 86.0 | 43.0 | 47.5 |



SE Plug Housings



SE 420 EU



SE 430 E/CEE



Plug enclosure SEV

Plug enclosure with Euro plug

| Order designation | | External dimensions | | | Internal dimensions | | |
|-------------------|-----------|---------------------|----|----|---------------------|----|----|
| Model | Order no. | L | W | H | L | W | H |
| SE 420 EU | 43420204 | 100 | 50 | 40 | 94 | 44 | 34 |

EU = Euro plug, DIN VDE 0620 part 101

Plug enclosures with German/French plug

| Order designation | | External dimensions | | | Internal dimensions | | |
|-------------------|-----------|---------------------|----|----|---------------------|----|----|
| Model | Order no. | L | W | H | L | W | H |
| SE 406 E/CEE* | 43406204 | 65 | 50 | 30 | 59 | 44 | 24 |
| SE 408 E/CEE* | 43408504 | 65 | 50 | 45 | 59 | 44 | 39 |
| SE 410 E/CEE* | 43410104 | 100 | 50 | 25 | 94 | 44 | 19 |
| SE 420 E/CEE | 43420104 | 100 | 50 | 40 | 94 | 44 | 34 |
| SE 430 E/CEE | 43430004 | 120 | 65 | 40 | 114 | 59 | 34 |
| SE 435 E/CEE | 43435004 | 120 | 65 | 66 | 114 | 59 | 60 |

E/CEE = plug with earthing, DIN 49441 R2

* = available on request

Plug enclosures with Swiss plug

| Order designation | | External dimensions | | | Internal dimensions | | |
|-------------------|-----------|---------------------|----|----|---------------------|----|----|
| Model | Order no. | L | W | H | L | W | H |
| SE 430 SEV* | 43430604 | 120 | 65 | 40 | 114 | 59 | 34 |
| SE 435 SEV* | 43435604 | 120 | 65 | 66 | 114 | 59 | 60 |

SEV = Swiss version, with earthing

SEV-1011 type 12, min. order quantities 500+

* = available on request

Plug enclosures with American plug

| Order designation | | External dimensions | | | Internal dimensions | | |
|-------------------|-----------|---------------------|----|----|---------------------|----|----|
| Model | Order no. | L | W | H | L | W | H |
| SE 410 E/US* | 43410404 | 100 | 50 | 25 | 94 | 44 | 19 |
| SE 420 E/US* | 43420224 | 100 | 50 | 40 | 94 | 44 | 34 |
| SE 430 E/US* | 43430104 | 120 | 65 | 40 | 114 | 59 | 34 |
| SE 435 E/US* | 43435204 | 120 | 65 | 66 | 114 | 59 | 60 |

E-US = US version, with earthing

UL 498 or ANSI St. A 5-15, minimum order quantities 500+

* = available on request

Plug enclosures with appropriate socket

| Order designation | | External dimensions | | | Internal dimensions | | |
|-------------------|-----------|---------------------|----|----|---------------------|----|----|
| Model | Order no. | L | W | H | L | W | H |
| SE 432 DE | 43432504 | 120 | 65 | 50 | 114 | 59 | 44 |
| SE 432 DE CEE* | 43432704 | 120 | 65 | 50 | 114 | 59 | 44 |
| SE 432 DE SEV* | 43432604 | 120 | 65 | 50 | 114 | 59 | 44 |
| SE 435 DE | 43435504 | 120 | 65 | 66 | 114 | 59 | 60 |
| SE 435 DE CEE* | 43435704 | 120 | 65 | 66 | 114 | 59 | 60 |

DE = German version (DIN 49440/CEE 7 111)

DE-CEE = French version (CEE 7V)

DE-SEV = Swiss version (SEV 1011 type 13), available on request

* = available on request



SE 410 E/US



SE 432 DE SEV*

SE Plug Housings



Model series SE 510
SE 510 E/CEE-L

Compact plug enclosure with integrated cable inlet for approx. cable diameter 6.5 mm. Depending on the design, this cable is automatically equipped with strain relief at the enclosure screw point.

The PCB can be clamped between the lid and base for easier fitting, and then lies above the socket.

The air gap between the PCB and the connector pins is at least 7 mm. In all cases the lids are available with 0.5 mm membrane area and, as required, with or without ventilation.



Model series SE 520
SE 520 AS-L

Plugs SE 510 ...

Order designation

| Model | Order no. | Description |
|----------------|-----------|--|
| SE 510 EU | 43510200 | Euro plug DIN VDE 0620 part 101 |
| SE 510 E/CEE | 43510000 | German/French plug DIN 49441 R2 |
| SE 510 AS | 43510500 | Australian plug AS 3112 without earthing 7.5 A |
| SE 510 US | 43510600 | American plug US 498 ANSI ST. A 1-15 without earthing 15 A |
| SE 510 GB* | 43510300 | British plug GB-BS 1363 with earthing, 13 A fuse |
| SE 510 EU-L | 43510210 | Euro plug DIN VDE 0620 part 101, with ventilation |
| SE 510 E/CEE-L | 43510010 | German/French plug DIN 49441 R2, with ventilation |
| SE 510 AS-L | 43510510 | Australian plug AS 3112 without earthing 7.5 A, with ventilation |
| SE 510 US-L | 43510610 | American plug US 498 ANSI ST. A 1-15 without earthing 15 A, with ventilation |
| SE 510 GB-L* | 43510310 | British plug GB-BS 1363 with earthing, 13 A fuse, with ventilation |

Note:

All models are available on request.

* Minimum order: 10,000 pcs

Plugs SE 520 ...

Order designation

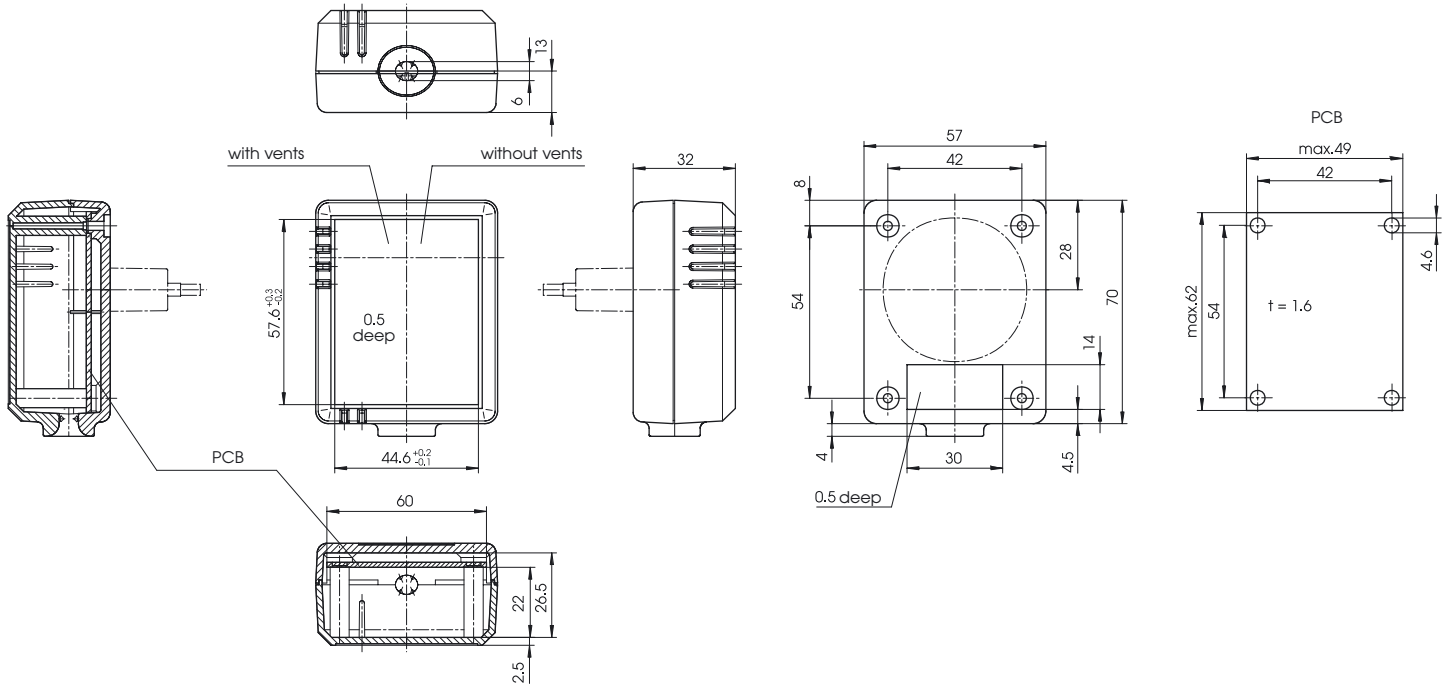
| Model | Order no. | Description |
|----------------|-----------|--|
| SE 520 EU | 43520200 | Euro plug DIN VDE 0620 part 101 |
| SE 520 E/CEE | 43520000 | German/French plug DIN 49441 R2 |
| SE 520 AS | 43520500 | Australian plug AS 3112 without earthing 7.5 A |
| SE 520 US | 43520600 | American plug US 498 ANSI ST. A 1-15 without earthing 15 A |
| SE 520 GB* | 43520300 | British plug GB-BS 1363 with earthing, 5 A fuse |
| SE 520 EU-L | 43520210 | Euro plug DIN VDE 0620 part 101, with ventilation |
| SE 520 E/CEE-L | 43520010 | German/French plug DIN 49441 R2, with ventilation |
| SE 520 AS-L | 43520510 | Australian plug AS 3112 without earthing 7.5 A, with ventilation |
| SE 520 US-L | 43520610 | American plug US 498 ANSI ST. A 1-15 without earthing 15 A, with ventilation |
| SE 520 GB-L* | 43520310 | British plug GB-BS 1363 with earthing, 5 A fuse, with ventilation |

Note:

All models are available on request.

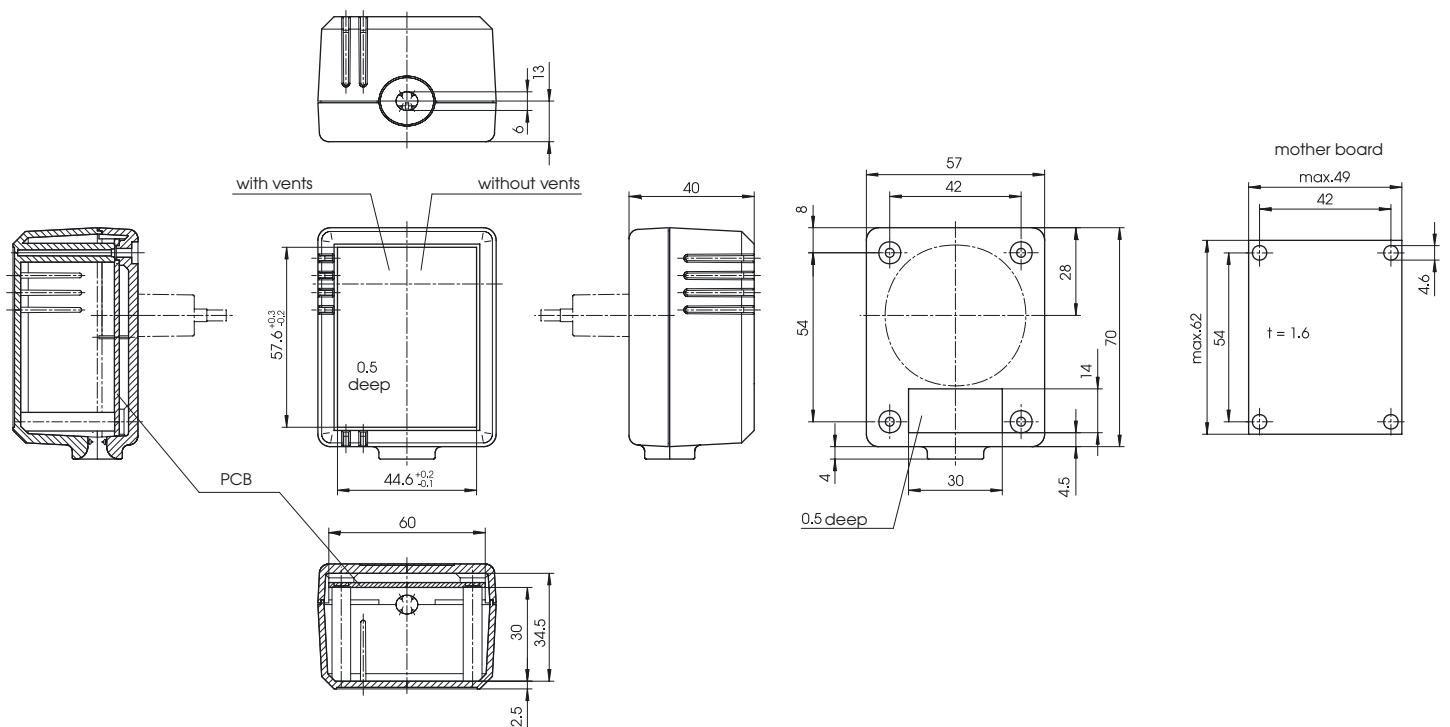
* Minimum order: 10,000 pcs

SE 510 ...



Z-2801253

SE 520 ...



Z-2801254