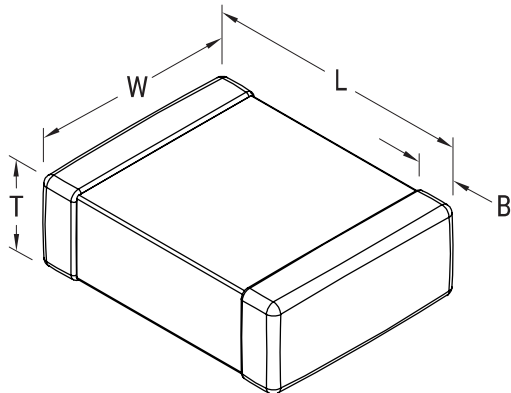


KEMET Part Number: C1206C105Z3VACTU
(C1206C105Z3VAC7800)

SMD Comm Y5V, Ceramic, 1 uF, -20/+80%, 25 VDC, Y5V, SMD, MLCC, General Purpose, Class III, 1206



Dimensions

L	3.2mm +/-0.2mm
W	1.6mm +/-0.2mm
T	1.2mm +/-0.20mm
B	0.5mm +/-0.25mm

Packaging Specifications

Packaging:	T&R, 180mm, Plastic Tape
Packaging Quantity:	2500

General Information

Supplier:	KEMET
Series:	SMD Comm Y5V
Style:	SMD Chip
Description:	SMD, MLCC, General Purpose, Class III
Features:	Class III
RoHS:	Yes
Termination:	Tin
Marking:	No
Miscellaneous:	Note: Referee time for Y5V dielectric for this part number is 48 hours
Chip Size:	1206

Specifications

Capacitance:	1 uF
Capacitance Tolerance:	-20/+80%
Voltage DC:	25 VDC
Dielectric Withstanding Voltage:	62.5 VDC
Temperature Range:	-30/+85C
Temperature Coefficient:	Y5V
Dissipation Factor:	7.00% 1kHz 25C
Aging Rate:	7% Loss/Decade Hour
Insulation Resistance:	100 MOhms