



**24" IPS 3-side borderless monitor for multi-monitor set-ups**

Stylish edge-to-edge design makes the ProLite XU2493HS perfect for multi-monitor set-ups. The IPS panel technology offers accurate and consistent colour reproduction with wide viewing angles. High contrast and brightness values mean the monitor will provide excellent performance for photographic and web design.

Available also with height adjustable stand : [ProLite XUB2493HS-B5](#)



**IPS Technology**

IPS displays are best known for wide viewing angles and natural, highly accurate colours. They are especially suited for colour-critical applications.



**Flicker-free + Blue light**

The ultimate solution for the comfort and health of your eyes. Flicker-free monitors with the blue light reducer function substantially reduce the strain and fatigue caused by flickering and blue light emittance of regular monitors.

## 01 DISPLAY CHARACTERISTICS

|                     |   |
|---------------------|---|
| Design              | 3-side borderless   |
| Diagonal            | 23.8", 60.5cm   |
| Panel               | IPS panel technology LED, matte finish                                |
| Native resolution   | 1920 x 1080 @75Hz (2.1 megapixel Full HD)                             |
| Aspect ratio        | 16:9  |
| Panel brightness    | 250 cd/m <sup>2</sup>   |
| Static contrast     | 1000:1  |
| Advanced contrast   | 80M:1   |
| Response time (GTG) | 4ms   |
| Viewing zone        | horizontal/vertical: 178°/178°, right/left: 89°/89°, up/down: 89°/89° |
| Colour support      | 16.7mIn (sRGB: 96%; NTSC: 72%)  |
| Horizontal Sync     | 30 - 83kHz  |
| Viewable area W x H | 527 x 296.5mm, 20.7 x 11.7"   |
| Pixel pitch         | 0.275mm   |
| Colour              | matte, black  |

## 02 INTERFACES / CONNECTORS / CONTROLS

|                     |                           |
|---------------------|---------------------------|
| Signal input        | HDMI x1<br>DisplayPort x1 |
| HDCP                | yes                       |
| Headphone connector | yes                       |

## 03 FEATURES

|                    |  |
|--------------------|--|
| Blue light reducer | yes  |
| Flicker free       | yes  |
| FreeSync support   | yes  |
| Extra              | i-style Colour   |
| OSD languages      | EN, DE, FR, IT, RU, JP, CZ, NL, PL   |
| Control buttons    | Power, Menu, + / Volume, - / Eco, Signal/ Exit   |
| User controls      | picture adjust (brightness, contrast, i-Style colour, ACR, Eco, OD, X-res technology), colour settings (gamma, RGB range, colour temp.), image settings (video mode adjust, BLR, sharp and soft), OSD (OSD H. Position, OSD V. Position, OSD time, OSD background, OSD Rotate, language), extra (reset, DDC /CI, signal select, LED, opening logo, Adaptive Sync, display information) |
| Speakers           | 2 x 2W   |
| Convenience        | Kensington-lock™ prepared, DDC/CI, DDC2B, Mac OSX  |

## 04 MECHANICAL

|                              |                 |
|------------------------------|-----------------|
| Display position adjustments | tilt            |
| Tilt angle                   | 23° up; 5° down |
| VESA mounting                | 100 x 100mm     |

## 05 ACCESSORIES INCLUDED

|        |                                 |
|--------|---------------------------------|
| Cables | power, HDMI                     |
| Other  | quick start guide, safety guide |

## 06 POWER MANAGEMENT

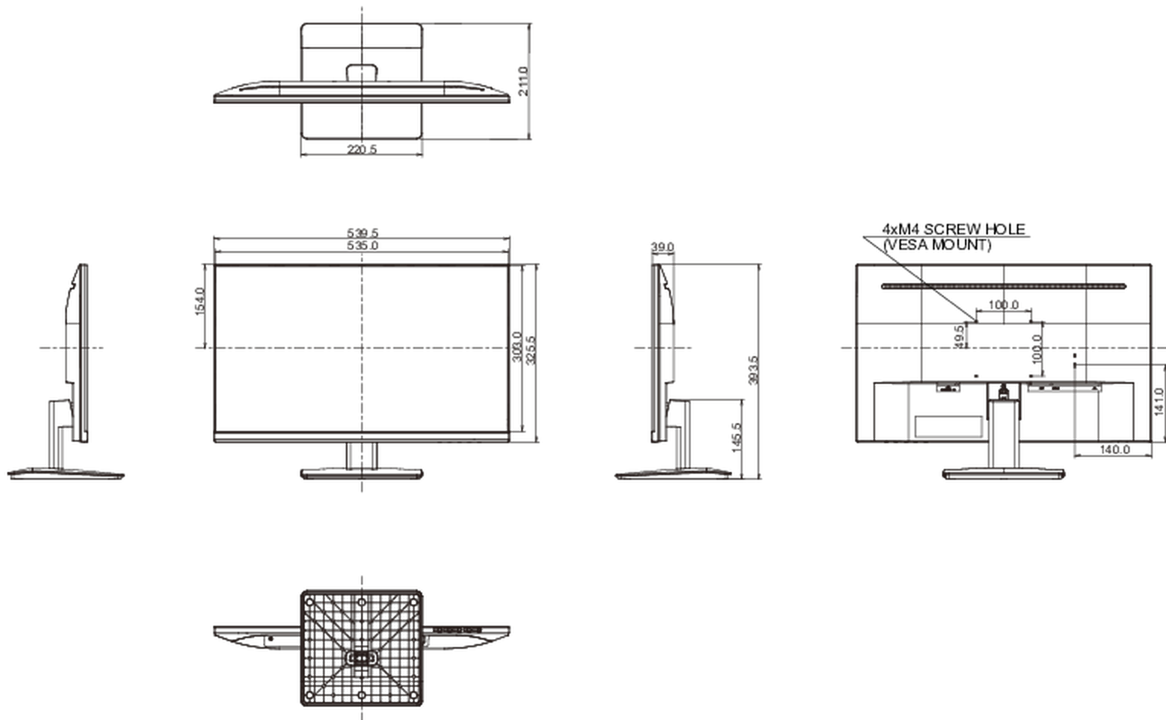
|                   |   |
|-------------------|---|
| Power supply unit | internal                                  |
| Power supply      | AC 100 - 240V, 50/60Hz                    |
| Power usage       | 15W typical, 0.5W stand by, 0.3W off mode |

## 07 SUSTAINABILITY

|   |  |
|---|--|
| Regulations   | CE, TÜV-Bauart, EAC, VCCI-B, PSE, RoHS support, ErP, WEEE, REACH, UKCA |
| Energy efficiency class (Regulation (EU) 2017/1369) | D  |
| REACH SVHC  | above 0.1%: Lead   |

## 08 DIMENSIONS / WEIGHT

|                              |                        |
|------------------------------|------------------------|
| Product dimensions W x H x D | 539.5 x 393.5 x 21.1mm |
| Box dimensions W x H x D     | 607 x 401 x 127mm      |
| Weight (without box)         | 3.5kg                  |
| Weight (with box)            | 5.2kg                  |
| EAN code                     | 4948570121151          |



All trademarks and registered trademarks acknowledged. E & O E. Specification subject to change without notice. All LCD's comply with ISO-9241-307:2008 in connection with pixel defects.