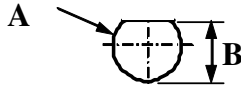
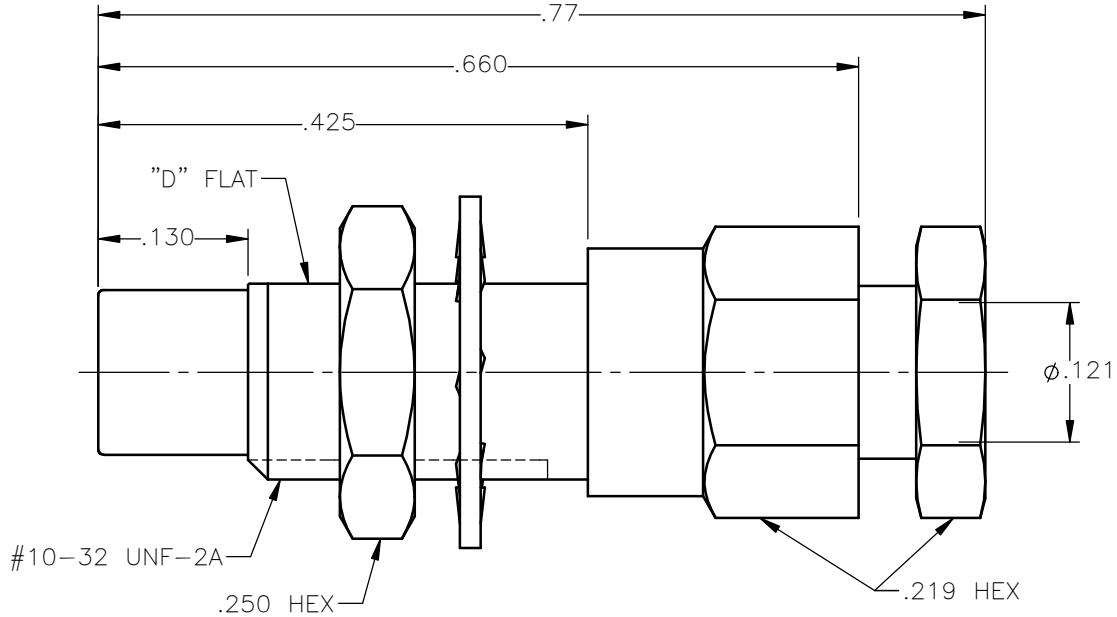


**PANEL CUT OUT**



inches		
	Maxi	mini
<b>A</b>	<b>.198</b>	<b>.192</b>
<b>B</b>	<b>.183</b>	<b>.177</b>

REVISIONS			
REV.	DESCRIPTION	DATE	APPROVED
A	INITIAL RELEASE	03/05/18	D.N.





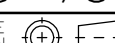
NOTES:

MATERIALS:

1. INSULATORS = VIRGIN WHITE TEFLON PER ASTM D1710, GRADE 1, TYPE I, CLASS "B".
2. LOCKWASHER = PHOSPHOR BRONZE PER ASTM B139, COPPER ALLOY C53400, TEMPER H04.
3. ALL OTHER METAL PARTS = BRASS PER ASTM B16, ALLOY C36000, TEMPER H02.

FINISHES:

1. CONTACT = GOLD PLATE PER ASTM B488-11, TYPE II, 50 $\mu$ in MIN, GRADE C, OVER 100 TO 200 $\mu$ in STRESS FREE SULFAMATE NICKEL PER AMS-QQ-N-290.
2. SOLDER FITTING = GOLD PLATE PER ASTM B488-11, TYPE II, 30 $\mu$ in MIN, GRADE C OVER 100 TO 200 $\mu$ in COPPER STRIKE PER AMS 2418.
3. ALL OTHER METAL PARTS = NICKEL PLATE PER AMS-QQ-N-290, CLASS 1, GRADE G, EXCEPT 100 TO 200 $\mu$ in THICK OVER 50 TO 100 $\mu$ in THICK COPPER PER AMS 2418.

UNLESS OTHERWISE SPECIFIED DIMENSIONS ARE IN INCHES TOLERANCES ON	DWN: DATE	 <b>Property of Radiall</b> This document cannot be reproduced or communicated to a third party without prior written permission of RADIALL.	
	D.N. DATE		
DECIMAL	ANGLE	CHKD: DATE	SMC STRAIGHT MALE BULKHEAD JACK SOLDER/CLAMP TYPE FOR .086 S/R & SIMILAR CABLES
		C.E. DATE	
		APVD: DATE	
REFERENCE:	MATERIALS & FINIHES:	J.M. DATE	SIZE: A FSCM NO.: 19505 DWG NO.: 1003-7541-010 REV: A
ORIGINATED: D.N. DATE: 03/05/18	SEE NOTES		SCALE: 6:1 THIRD ANGLE PROJECTION:  SHEET 1 OF 1

1003-7541-010

# Mouser Electronics

Authorized Distributor

Click to View Pricing, Inventory, Delivery & Lifecycle Information:

Radial:

[1003-7541-010](#)