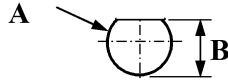
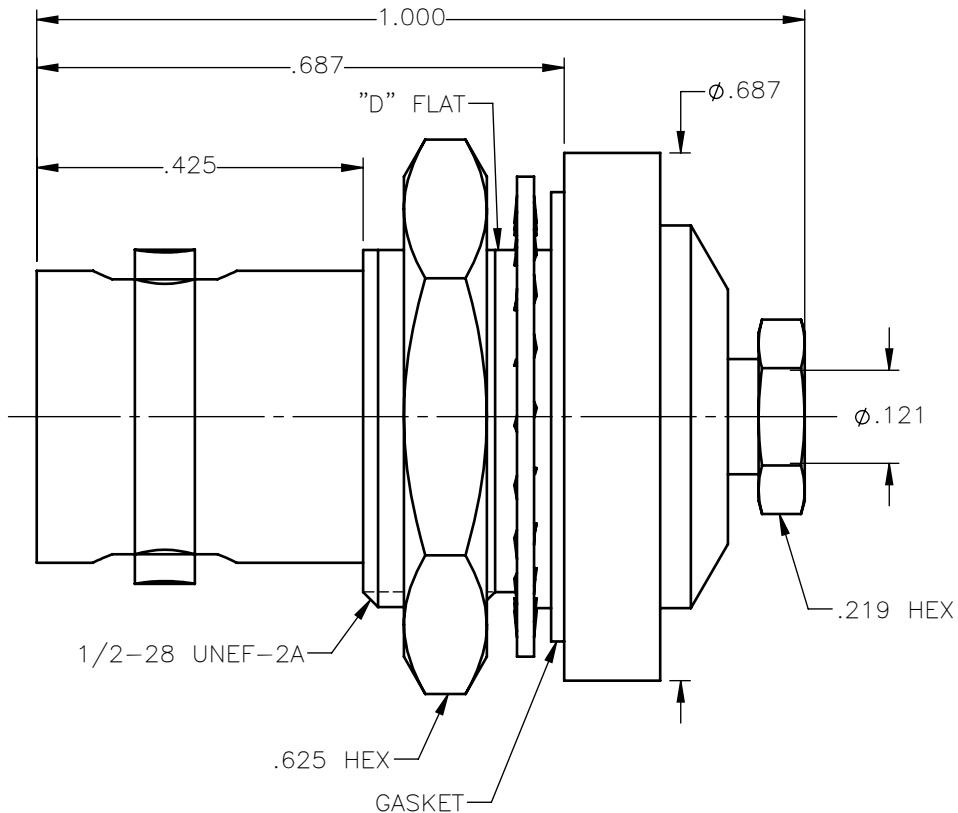


PANEL CUT OUT



inches		
	Maxi	mini
A	.509	.505
B	.475	.471

REVISIONS			
REV.	DESCRIPTION	DATE	APPROVED
A	INITIAL RELEASE	03/09/18	C.E.





NOTES:

MATERIALS:

1. INSULATORS = VIRGIN WHITE TEFLON PER ASTM D1710, GRADE 1, TYPE I, CLASS "B".
2. CONTACT & FERRULE = BERYLLIUM COPPER PER ASTM B196, ALLOY C17300, TEMPER TD04.
3. GASKET = SILICONE RUBBER PER ZZ-R-765, CLASS 2B, GRADE 65-75.
4. LOCKWASHER = PHOSPHOR BRONZE PER ASTM B139, COPPER ALLOY C53400, TEMPER H04.
5. ALL OTHER METAL PARTS = BRASS PER ASTM B16, ALLOY C36000, TEMPER H02.

FINISHES:

1. CONTACT & WIRE ADAPTER = GOLD PLATE PER ASTM B488-11, TYPE II, 50µin MIN, GRADE C, OVER 100 TO 200µin STRESS FREE SULFAMATE NICKEL PER AMS-QQ-N-290.
2. ALL OTHER METAL PARTS = NICKEL PLATE PER AMS-QQ-N-290, CLASS 1, GRADE G, EXCEPT 100 TO 200µin THICK OVER 50 TO 100µin THICK COPPER PER AMS 2418.

UNLESS OTHERWISE SPECIFIED DIMENSIONS ARE IN INCHES TOLERANCES ON	DWN: C.E.	DATE 03/09/18	 Property of Radiall This document cannot be reproduced or communicated to a third party without prior written permission of RADIALL.		
	CHKD: D.N.	DATE 03/09/18			
DECIMAL	ANGLE	APVD: J.M.	DATE 03/09/18	BNC STRAIGHT JACK BULKHEAD REAR MOUNT CLAMP TYPE FOR RG-316 & SIMILAR CABLES	
REFERENCE:		MATERIALS & FINISHES:			
ORIGINATED: C.E. DATE: 03/09/18		SEE NOTES			
		SIZE A	FSCM NO. 19505	DWG NO. 6501-7051-003	REV A
		SCALE 4:1		THIRD ANGLE PROJECTION	SHEET 1 OF 1

6501-7051-003

Mouser Electronics

Authorized Distributor

Click to View Pricing, Inventory, Delivery & Lifecycle Information:

Radial:

[6501-7051-003](#)